

QHP1516

GPS/GLONASS Passive Helical Stub Antenna

Features

- ◆ GPS & Glonass Frequencies
- ◆ Small Footprint
- ◆ Enclosure Mount
- ◆ Customizable cable/connector options
- ◆ Suitable for fixed or mobile devices

Specifications

| | |
|-------------------|--|
| Radiating element | Quadrifilar Helix Element |
| Frequency range | 1588.5 MHz \pm 23 |
| Average Gain | 3 dBic |
| Impedance | 50 Ohm |
| Polarisation | RHCP |
| VSWR | < 2.0:1 |
| F/B Ratio | 10 dB |
| Cable/Connector | Pigtail cable with U.FL or SMA (others possible) |
| Materials | PVC (subject to change) |
| Dimensions | 53x 28.5mm (h x d excl. stud) |

Popular Ordering Options

| | |
|-----------------|--|
| FQHP35306-UF-10 | QHP1516 Antenna with 100mm cable and U.FL |
| FQHP35306-SM-10 | QHP1516 Antenna with 100mm cable and SMA connector |

Specifications subject to change without notice.

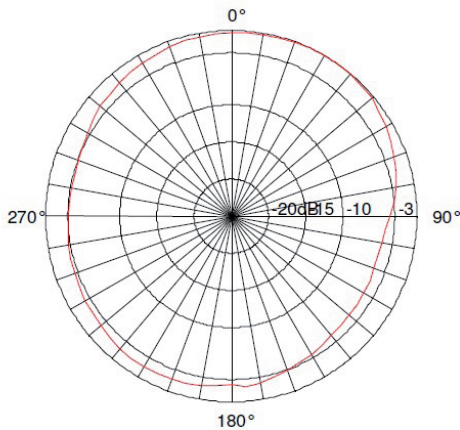
5 Little Balmer
Buckingham Industrial Park
Buckingham
MK18 1TF
UK

Tel: +44 (0)1280 824055
Fax: +44 (0)1280 817179
Email: sales@ead-ltd.com
Web: www.ead-ltd.com

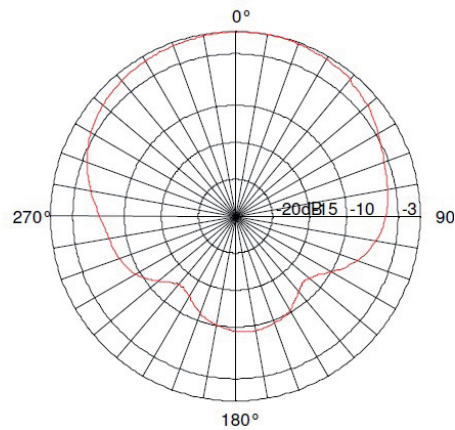


QHP1516 | GPS/GLONASS Passive Helical Stub Antenna

Radiation Patterns

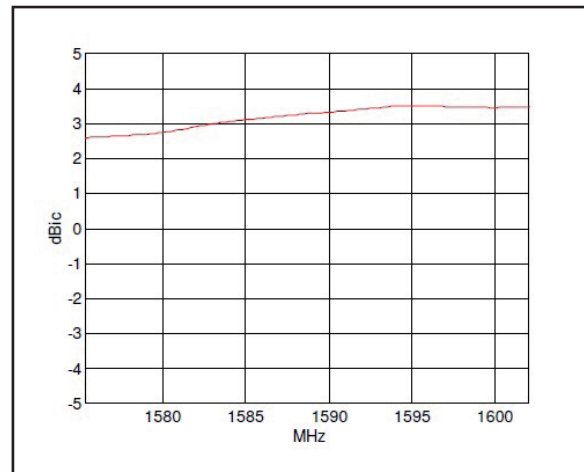
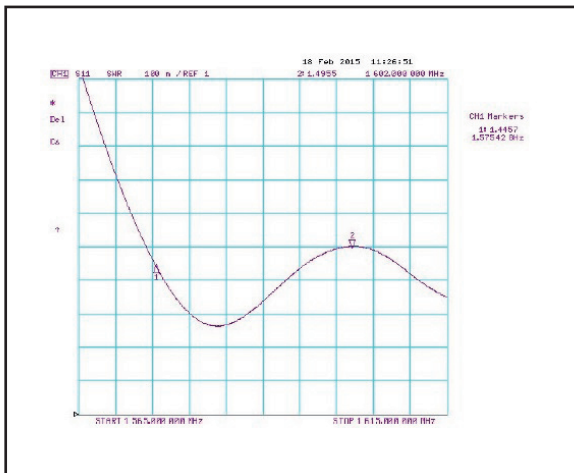


Horizontal plane
(mid band, 0° elevation)



Vertical plane
(mid band)

VSWR and Gain Curves



Specifications subject to change without notice.

5 Little Balmer
Buckingham Industrial Park
Buckingham
MK18 1TF
UK

Tel: +44 (0)1280 824055
Fax: +44 (0)1280 817179
Email: sales@ead-ltd.com
Web: www.ead-ltd.com