



LMB

LTE-MIMO Blade Antenna

Features

- Discreet MIMO Blade Antenna
- 2 x 4G/LTE/Multiband Elements
- Window or non-metal surface mount
- Supplied with 2 suction cups

Specifications

	Element 1	Element 2
Frequency range	690-800/800-960/1710-2170/2500-2700 MHz	690-800/800-960/1710-2170/2500-2700 MHz
Peak gain	2.5 dBi	2.5 dBi
Polarisation	Linear	Linear
Return Loss	< -8.5 dB	< -8.5 dB
Isolation	690-880 MHz < -13 dB 880-960 MHz < -15 dB 1710-1880 MHz < -20 dB 1880-2700 MHz < -25 dB	690-880 MHz < -13 dB 880-960 MHz < -15 dB 1710-1880 MHz < -20 dB 1880-2700 MHz < -25 dB
Power rating	10W	10W
Impedance	50 Ohm	50 Ohm
Dimensions	181 x 80mm max. (l x h)	

Ordering Options

FLMB35341-SMSM-50	LMB antenna with 2 x 50cm RG-174 and SMA-Male
FLMB35341-SMSM-1K	LMB antenna with 2 x 1M RG-174 and SMA-Male
FLMB35341-SMSM-2K	LMB antenna with 3 x 2M RG-174 and SMA-Male

Specifications subject to change without notice.

5 Little Balmer
Buckingham Industrial Park
Buckingham
MK18 1TF
UK

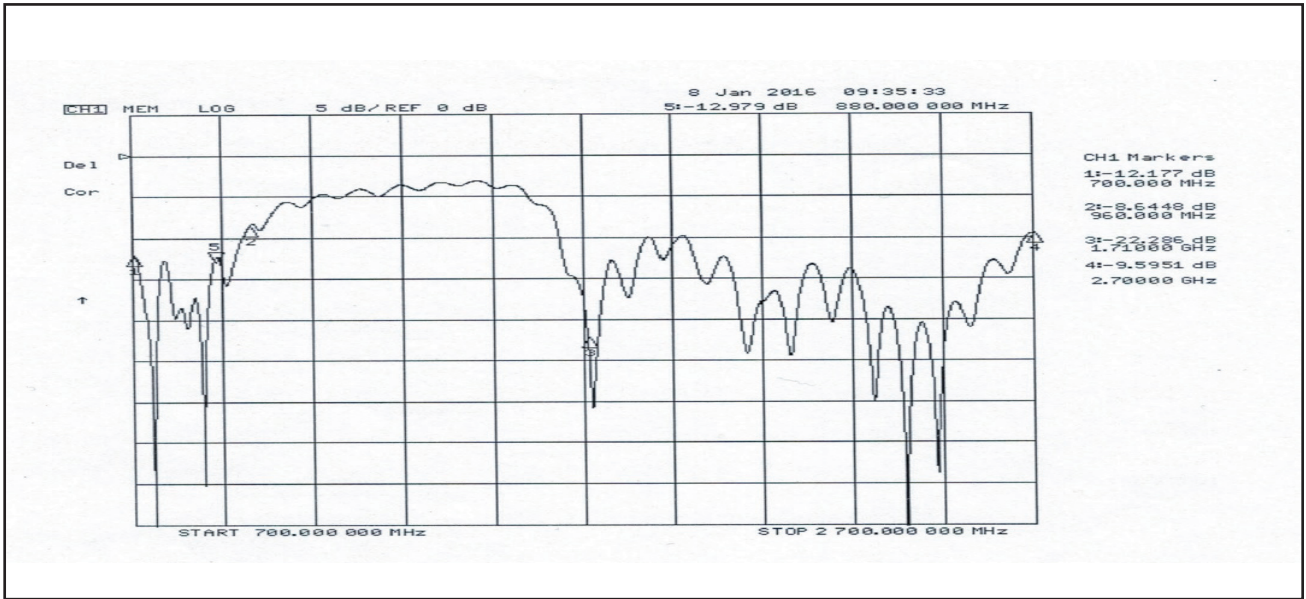
Tel: +44 (0)1280 824055
Fax: +44 (0)1280 817179
Email: sales@ead-ltd.com
Web: www.ead-ltd.com

EAD
embedded antenna design ltd
Delivering Antenna Innovation

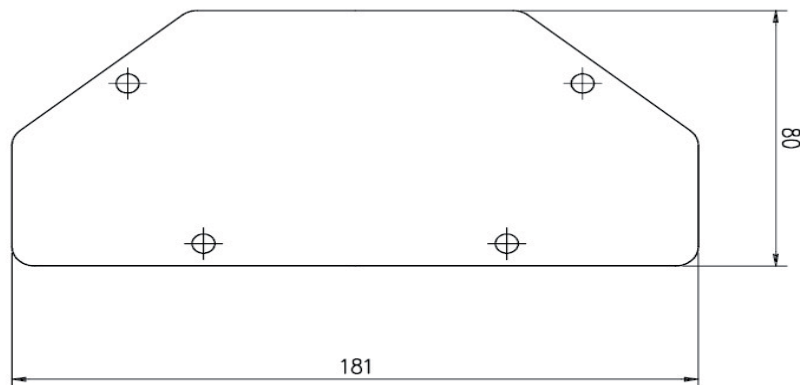


LMB | LTE MIMO Blade Antenna

Return Loss



Antenna Outline



Specifications subject to change without notice.

5 Little Balmer
Buckingham Industrial Park
Buckingham
MK18 1TF
UK

Tel: +44 (0)1280 824055
Fax: +44 (0)1280 817179
Email: sales@ead-ltd.com
Web: www.ead-ltd.com