

# 14A Analog PicoDLynxII™: Non-Isolated DC-DC Power Modules

4.5Vdc – 14.4Vdc input; 0.6Vdc to 5.5Vdc output; 14A Output Current



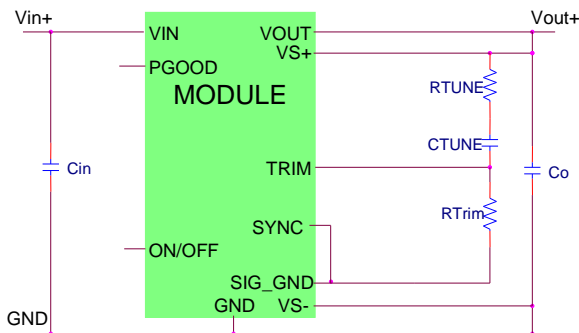
**RoHS Compliant**

## Applications

- Distributed power architectures
- Intermediate bus voltage applications
- Telecommunications equipment
- Servers and storage applications
- Networking equipment
- Industrial equipment

## Features

- Compliant to RoHS II EU "Directive 2011/65/EU"
- Compatible in a Pb-free or SnPb reflow environment (Z versions)
- Compliant to IPC-9592 (September 2008), Category 2, Class II
- Compliant to REACH Directive (EC) No 1907/2006
- DOSA based
- Wide Input voltage range (4.5Vdc-14.4Vdc)
- Output voltage programmable from 0.6Vdc to 5.5Vdc via external resistor
- Tunable Loop™ to optimize dynamic output voltage response
- Power Good signal
- Fixed switching frequency with capability of external synchronization
- Output over current protection (non-latching)
- Over temperature protection
- Remote On/Off
- Ability to sink and source current
- Cost efficient open frame design
- Small size: 12.2 mm x 12.2 mm x 8.5 mm (0.48 in x 0.48 in x 0.334 in)
- Wide operating temperature range [-40°C to 85°C: Std; -40°C to 105°C: Ruggedized]
- UL\* 60950-1 2<sup>nd</sup> Ed. Recognized, CSA† C22.2 No. 60950-1-07 Certified, and VDE‡ (EN60950-1 2<sup>nd</sup> Ed.) Licensed
- ISO\*\* 9001 and ISO 14001 certified manufacturing facilities



## Description

The 14A Analog PicoDLynxII™ power modules are non-isolated dc-dc converters that can deliver up to 14A of output current. These modules operate over a wide range of input voltage ( $V_{IN} = 4.5Vdc - 14.4Vdc$ ) and provide a precisely regulated output voltage from 0.6Vdc to 5.5Vdc, programmable via an external resistor. Features include remote On/Off, adjustable output voltage, over current and over temperature protection. The module also includes the Tunable Loop™ feature that allows the user to optimize the dynamic response of the converter to match the load with reduced amount of output capacitance leading to savings on cost and PWB area.

\* UL is a registered trademark of Underwriters Laboratories, Inc.  
 † CSA is a registered trademark of Canadian Standards Association.  
 ‡ VDE is a trademark of Verband Deutscher Elektrotechniker e.V.  
 \*\* ISO is a registered trademark of the International Organization of Standards

# 14A Analog PicoDlynxII™: Non-Isolated DC-DC Power Modules

4.5Vdc –14.4Vdc input; 0.6Vdc to 5.5Vdc output; 14A Output Current

## Absolute Maximum Ratings

Stresses in excess of the absolute maximum ratings can cause permanent damage to the device. These are absolute stress ratings only, functional operation of the device is not implied at these or any other conditions in excess of those given in the operations sections of the data sheet. Exposure to absolute maximum ratings for extended periods can adversely affect the device reliability.

| Parameter   | Device | Symbol                       | Min        | Max       | Unit |
|---|--------|------------------------------|------------|-----------|------|
| Input Voltage<br>Continuous   | All    | $V_{IN}$                     | -0.3       | 15        | V    |
| VS  | All    |                              | -0.3       | 7         | V    |
| SYNC  | All    |                              |            | 3.6       | V    |
| Operating Ambient Temperature<br>(see Thermal Considerations section) | All    | $T_A$ STANDARD<br>RUGGEDIZED | -40<br>-40 | 85<br>105 | °C   |
| Storage Temperature   | All    | $T_{stg}$                    | -55        | 125       | °C   |

## Electrical Specifications

Unless otherwise indicated, specifications apply over all operating input voltage, resistive load, and temperature conditions.

| Parameter   | Device                                       | Symbol            | Min  | Typ | Max  | Unit             |
|---|--|-------------------|------|-----|------|------------------|
| Operating Input Voltage   | All  | $V_{IN}$          | 4.5  | —   | 14.4 | Vdc              |
| Maximum Input Current<br>( $V_{IN}=4.5V$ to $14V$ , $I_o=I_{o,max}$ )   | All  | $I_{IN,max}$      |      |     | 14   | A                |
| Input No Load Current<br>( $V_{IN} = 12Vdc$ , $I_o = 0$ , module enabled)   | $V_{O,set} = 0.6$<br>Vdc                     | $I_{IN,No\ load}$ |      | 39  |      | mA               |
|   | $V_{O,set} = 5Vdc$                           | $I_{IN,No\ load}$ |      | 140 |      | mA               |
| Input Stand-by Current<br>( $V_{IN} = 12Vdc$ , module disabled)   | All  | $I_{IN,stand-by}$ |      | 16  |      | mA               |
| Inrush Transient  | All  | $I^2t$            |      |     | 1    | A <sup>2</sup> s |
| Input Reflected Ripple Current, peak-to-peak<br>(5Hz to 20MHz, 1μH source impedance; $V_{IN} = 4.5$ to $14V$ , $I_o=I_{o,max}$ ; See Test Configurations) | All  |                   |      | 32  |      | mAp-p            |
| Input Ripple Rejection (120Hz)  | All  |                   |      | -74 |      | dB               |
| Output Voltage Set-point accuracy over entire output range<br>0 to 85°C, $V_o=$ over entire range<br>-40 to 85°C, $V_o=$ over entire range                | All  | $V_{O, set}$      | -0.5 |     | +0.5 | % $V_{O, set}$   |
|   | All  | $V_{O, set}$      | -1   |     | +1   | % $V_{O, set}$   |
| Voltage Regulation <sup>1</sup>   |  |                   |      |     |      |                  |
| Line Regulation   | ( $V_{IN}=V_{IN, min}$ to<br>$V_{IN, max}$ ) |                   |      | 4   |      | mV               |
|   | ( $12V_{IN}±20%$ )                           |                   |      | 2   |      | mV               |
| Load ( $I_o=I_{o, min}$ to $I_{o, max}$ ) Regulation  | All  |                   |      | 4   |      | mV               |
|   | $≤1.2V_{out}$                                |                   |      | 2   |      | mV               |

<sup>1</sup>Worst case Line and load regulation data, all temperatures, from design verification testing as per IPC9592.

# 14A Analog PicoDLynxII™: Non-Isolated DC-DC Power Modules

## 4.5Vdc –14.4Vdc input; 0.6Vdc to 5.5Vdc output; 14A Output Current

### Electrical Specifications (continued)

| Parameter   | Device                | Symbol       | Min  | Typ   | Max   | Unit                |
|---|-----------------------|--------------|------|-------|-------|---------------------|
| Adjustment Range (selected by an external resistor)<br>(Some output voltages may not be possible depending on the input voltage – see Feature Descriptions Section) | All                   | $V_o$        | 0.6  |       | 5.5   | Vdc                 |
| Remote Sense Range  | All                   |              |      |       | 0.5   | Vdc                 |
| Output Ripple and Noise on nominal output<br>( $V_{IN}=V_{IN, nom}$ and $I_o=I_{o, min}$ to $I_{o, max}$ $C_o = 0.1\mu F // 5\times 22 \mu F$ ceramic capacitors)   |                       |              |      |       |       |                     |
| Peak-to-Peak (5Hz to 20MHz bandwidth)   | All                   |              | —    | 38    |       | mV <sub>pk-pk</sub> |
| RMS (5Hz to 20MHz bandwidth)  | All                   |              |      | 11    |       | mV <sub>rms</sub>   |
| External Capacitance <sup>2</sup>   |                       |              |      |       |       |                     |
| Without the Tunable Loop™   |                       |              |      |       |       |                     |
| ESR $\geq 1 m\Omega$  | All                   | $C_{o, max}$ | 5x22 | —     | 5x22  | $\mu F$             |
| With the Tunable Loop™  |                       |              |      |       |       |                     |
| ESR $\geq 0.15 m\Omega$   | All                   | $C_{o, max}$ | 5x22 | —     | 1000  | $\mu F$             |
| ESR $\geq 10 m\Omega$   | All                   | $C_{o, max}$ | 5x22 | —     | 10000 | $\mu F$             |
| Output Current (in either sink or source mode)  | All                   | $I_o$        | 0    |       | 14    | Adc                 |
| Output Current Limit Inception (Hiccup Mode)<br>(current limit does not operate in sink mode)   | All                   | $I_{o, lim}$ |      | 130   |       | % $I_{o, max}$      |
| Output Short-Circuit Current<br>( $V_o \leq 250mV$ ) ( Hiccup Mode )  | All                   | $I_{o, s/c}$ |      | 10.2  |       | Arms                |
| Efficiency<br>$V_{IN} = 12Vdc$ , $T_A = 25^\circ C$<br>$I_o = I_{o, max}$ , $V_o = V_{o, set}$  |                       |              |      |       |       |                     |
|   | $V_{o, set} = 0.6Vdc$ | $\eta$       |      | 78.1% |       | %                   |
|   | $V_{o, set} = 1.2Vdc$ | $\eta$       |      | 87%   |       | %                   |
|   | $V_{o, set} = 1.8Vdc$ | $\eta$       |      | 90.4% |       | %                   |
|   | $V_{o, set} = 2.5Vdc$ | $\eta$       |      | 92.3% |       | %                   |
|   | $V_{o, set} = 3.3Vdc$ | $\eta$       |      | 93.6% |       | %                   |
|   | $V_{o, set} = 5.0Vdc$ | $\eta$       |      | 95.2% |       | %                   |
| Switching Frequency   | All                   | $f_{sw}$     |      | 500   |       | kHz                 |

<sup>2</sup> External capacitors may require using the new Tunable Loop™ feature to ensure that the module is stable as well as getting the best transient response. See the Tunable Loop™ section for details.

# 14A Analog PicoDLynxII™: Non-Isolated DC-DC Power Modules

4.5Vdc –14.4Vdc input; 0.6Vdc to 5.5Vdc output; 14A Output Current

## Electrical Specifications (continued)

| Parameter  | Device | Symbol                | Min | Typ  | Max  | Unit |
|--|--------|-----------------------|-----|------|------|------|
| Frequency Synchronization  | All    |                       |     |      |      |      |
| Synchronization Frequency Range ( $2 \times f_{\text{switch}}$ ) | All    |                       | 950 | 1000 | 1050 | kHz  |
| High-Level Input Voltage   | All    | $V_{IH}$              | 2   |      |      | V    |
| Low-Level Input Voltage  | All    | $V_{IL}$              |     |      | 0.4  | V    |
| Minimum Pulse Width, SYNC  | All    | $t_{\text{SYNC}}$     | 100 |      |      | ns   |
| Maximum SYNC rise time   | All    | $t_{\text{SYNC\_SH}}$ | 100 |      |      | ns   |

## General Specifications

| Parameter  | Device | Min | Typ          | Max | Unit    |
|--|--------|-----|--------------|-----|---------|
| Calculated MTBF ( $I_o=0.8I_{o, \text{max}}$ , $T_A=40^\circ\text{C}$ ) Telecordia Issue 3 Method 1 Case 3 | All    |     | 69, 128, 749 |     | Hours   |
| Weight   |        |     | 2.6 (0.092)  |     | g (oz.) |

## Feature Specifications

Unless otherwise indicated, specifications apply overall operating input voltage, resistive load, and temperature conditions. See Feature Descriptions for additional information.

| Parameter   | Device | Symbol   | Min  | Typ | Max | Unit          |
|---|--------|----------|------|-----|-----|---------------|
| On/Off Signal Interface<br>( $V_{IN}=V_{IN, \text{min}}$ to $V_{IN, \text{max}}$ ; open collector or equivalent, Signal referenced to GND)<br>Device code with suffix "4" – Positive Logic (See Ordering Information) |        |          |      |     |     |               |
| Logic High (Module ON)  |        |          |      |     |     |               |
| Input High Current  | All    | $I_{IH}$ |      | —   | 17  | $\mu\text{A}$ |
| Input High Voltage  | All    | $V_{IH}$ | 2.1  | —   | 7   | V             |
| Logic Low (Module OFF)  |        |          |      |     |     |               |
| Input Low Current   | All    | $I_{IL}$ | —    | —   | 2   | $\mu\text{A}$ |
| Input Low Voltage   | All    | $V_{IL}$ | -0.2 | —   | 0.8 | V             |
| Device Code with no suffix – Negative Logic (See Ordering Information)<br>(On/OFF pin is open collector/drain logic input with external pull-up resistor; signal referenced to GND)                                   |        |          |      |     |     |               |
| Logic High (Module OFF)   |        |          |      |     |     |               |
| Input High Current  | All    | $I_{IH}$ | —    | —   | 3   | mA            |
| Input High Voltage  | All    | $V_{IH}$ | 2.1  | —   | 7   | Vdc           |
| Logic Low (Module ON)   |        |          |      |     |     |               |
| Input low Current   | All    | $I_{IL}$ | —    | —   | 0.3 | mA            |
| Input Low Voltage   | All    | $V_{IL}$ | -0.2 | —   | 0.8 | Vdc           |

# 14A Analog PicoDLynxII™: Non-Isolated DC-DC Power Modules

4.5Vdc –14.4Vdc input; 0.6Vdc to 5.5Vdc output; 14A Output Current

## Feature Specifications (cont.)

| Parameter   | Device | Symbol    | Min | Typ    | Max | Units          |
|---|--------|-----------|-----|--------|-----|----------------|
| Turn-On Delay and Rise Times  |        |           |     |        |     |                |
| ( $V_{IN}=V_{IN, nom}, I_o=I_{o, max}, V_o$ to within $\pm 1\%$ of steady state)  |        |           |     |        |     |                |
| Case 1: On/Off input is enabled and then input power is applied (delay from instant at which $V_{IN} = V_{IN, min}$ until $V_o = 10\%$ of $V_{o, set}$ )                        | All    | Tdelay    |     | 1.2    |     | msec           |
| Case 2: Input power is applied for at least one second and then the On/Off input is enabled (delay from instant at which On/Off is enabled until $V_o = 10\%$ of $V_{o, set}$ ) | All    | Tdelay    |     | 1.2    |     | msec           |
| Output voltage Rise time (time for $V_o$ to rise from 10% of $V_{o, set}$ to 90% of $V_{o, set}$ )  | All    | Trise     |     | 2.8    |     | msec           |
| Output voltage overshoot ( $T_A = 25^\circ C$<br>$V_{IN}= V_{IN, min}$ to $V_{IN, max}, I_o = I_{o, min}$ to $I_{o, max}$ )<br>With or without maximum external capacitance     |        |           |     |        | 3.0 | % $V_{o, set}$ |
| Over Temperature Protection<br>(See Thermal Considerations section)   | All    | $T_{ref}$ |     | 135    |     | $^\circ C$     |
| Input Undervoltage Lockout ( $V_{out} \leq 3.3V_o$ )  |        |           |     |        |     |                |
| Turn-on Threshold   | All    |           |     | 4.25   |     | Vdc            |
| Turn-off Threshold  | All    |           |     | 4.05   |     | Vdc            |
| Hysteresis  | All    |           |     | 0.2    |     | Vdc            |
| PGOOD (Power Good)  |        |           |     |        |     |                |
| Signal Interface Open Drain, $V_{supply} \leq 5VDC$   |        |           |     |        |     |                |
| Overvoltage threshold for PGOOD ON  | All    |           |     | 108.33 |     | % $V_{o, set}$ |
| Overvoltage threshold for PGOOD OFF   | All    |           |     | 112.5  |     | % $V_{o, set}$ |
| Undervoltage threshold for PGOOD ON   | All    |           |     | 91.67  |     | % $V_{o, set}$ |
| Undervoltage threshold for PGOOD OFF  | All    |           |     | 87.5   |     | % $V_{o, set}$ |
| Pulldown resistance of PGOOD pin  | All    |           |     | 40     | 70  | $\Omega$       |
| Sink current capability into PGOOD pin  | All    |           |     |        | 5   | mA             |

\* Over temperature Warning – Warning may not activate before alarm and unit may shutdown before warning

# 14A Analog PicoDLynxII™: Non-Isolated DC-DC Power Modules

4.5Vdc – 14.4Vdc input; 0.6Vdc to 5.5Vdc output; 14A Output Current

## Characteristic Curves

The following figures provide typical characteristics for the 14A Analog PicoDLynxII™ at 0.6V<sub>o</sub> and 25°C.

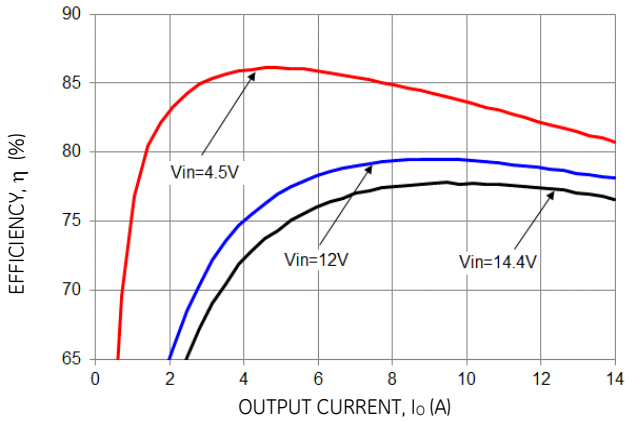


Figure 1. Converter Efficiency versus Output Current.

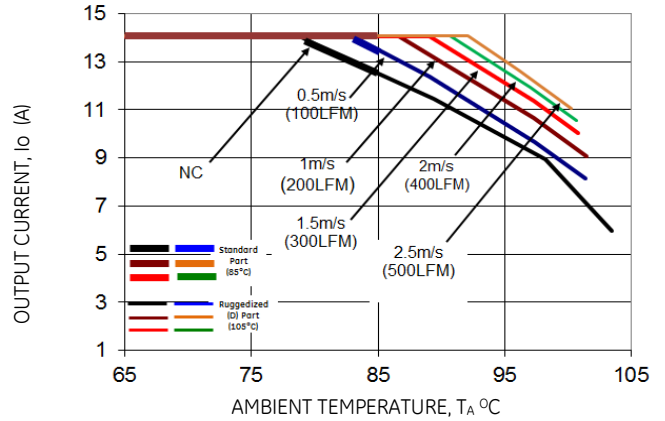


Figure 2. Derating Output Current versus Ambient Temperature and Airflow.

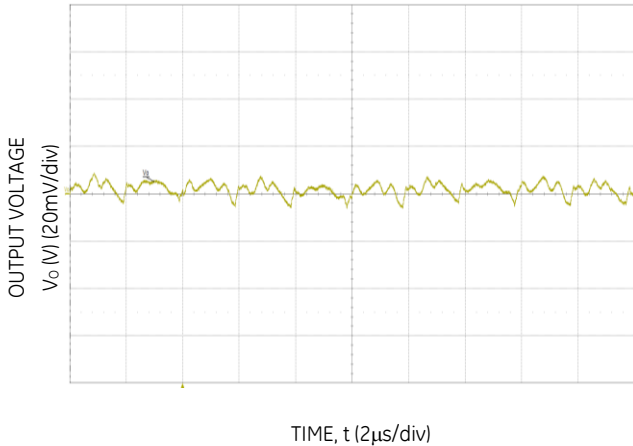


Figure 3. Typical output ripple (C<sub>o</sub>=5x22µF ceramic, V<sub>IN</sub> = 12V, I<sub>o</sub> = I<sub>o,max</sub>.).

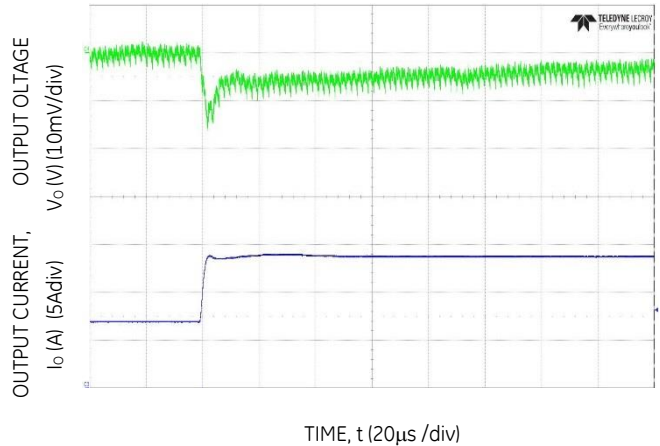


Figure 4. Transient Response to Dynamic Load Change from 50% to 100% at 12Vin, Cout=8x47µF+8x330µF CTune=27nF, RTune=300Ω

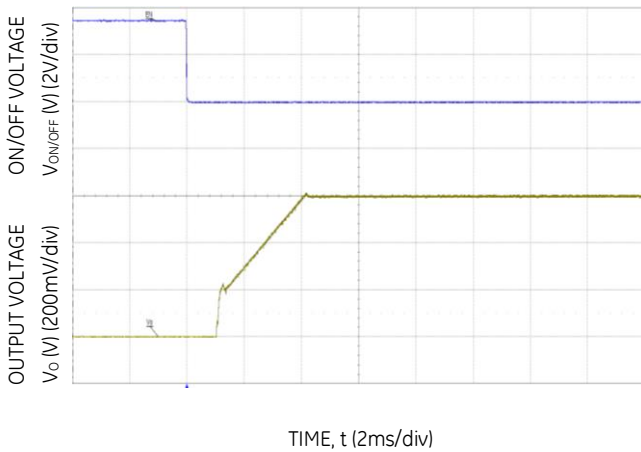


Figure 5. Typical Start-up Using On/Off Voltage (I<sub>o</sub> = I<sub>o,max</sub>).

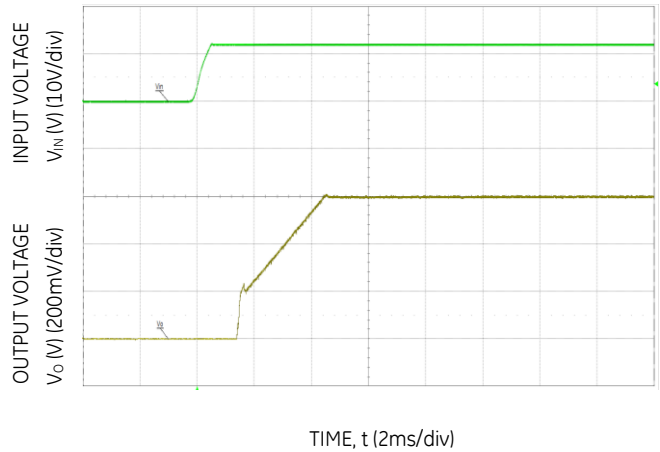


Figure 6. Typical Start-up Using Input Voltage (V<sub>IN</sub> = 12V, I<sub>o</sub> = I<sub>o,max</sub>).

# 14A Analog PicoDLynxII™: Non-Isolated DC-DC Power Modules

4.5Vdc – 14.4Vdc input; 0.6Vdc to 5.5Vdc output; 14A Output Current

## Characteristic Curves

The following figures provide typical characteristics for the 14A Analog PicoDLynxII™ at 1.2Vo and 25°C.

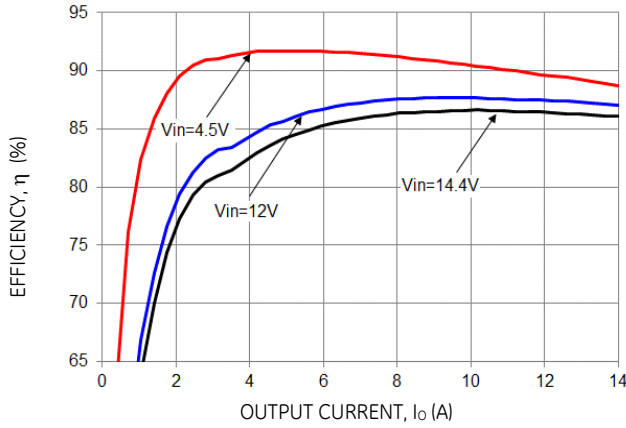


Figure 7. Converter Efficiency versus Output Current.

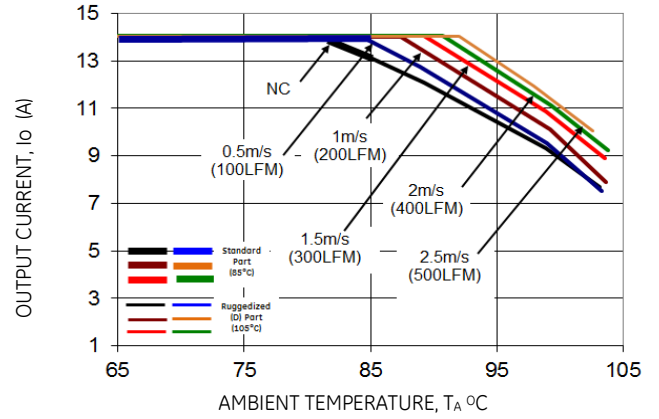


Figure 8. Derating Output Current versus Ambient Temperature and Airflow.

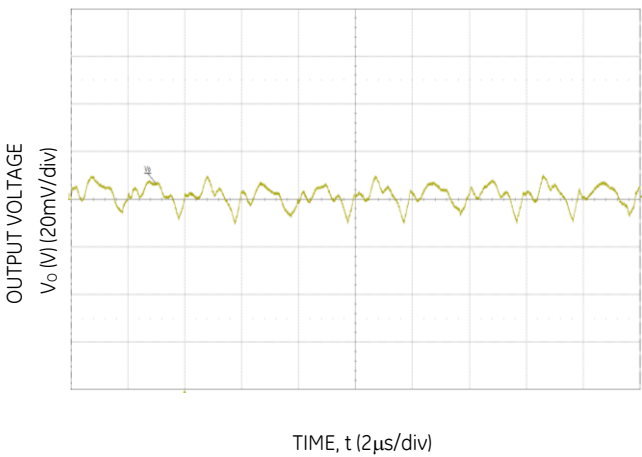


Figure 9. Typical output ripple (Co=5x22µF ceramic, VIN = 12V, Io = Io,max.).

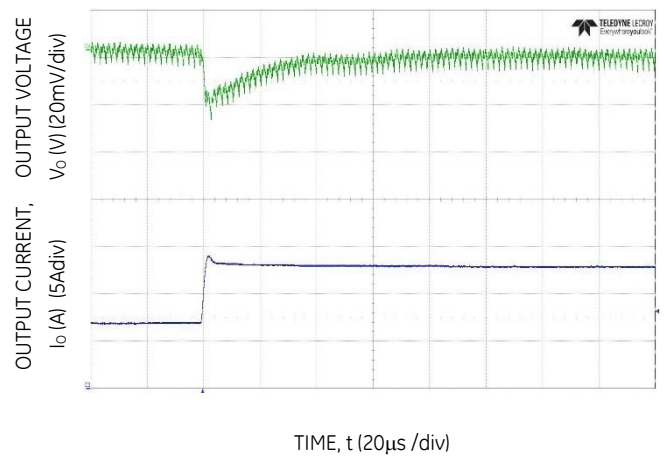


Figure 10. Transient Response to Dynamic Load Change from 50% to 100% at 12Vin, Cout=8x47uF+3x330uF CTune=3.9nF, RTune=300Ω

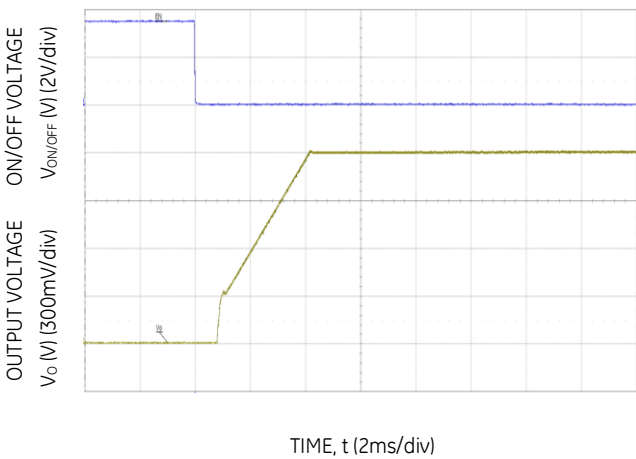


Figure 11. Typical Start-up Using On/Off Voltage (Io = Io,max.).

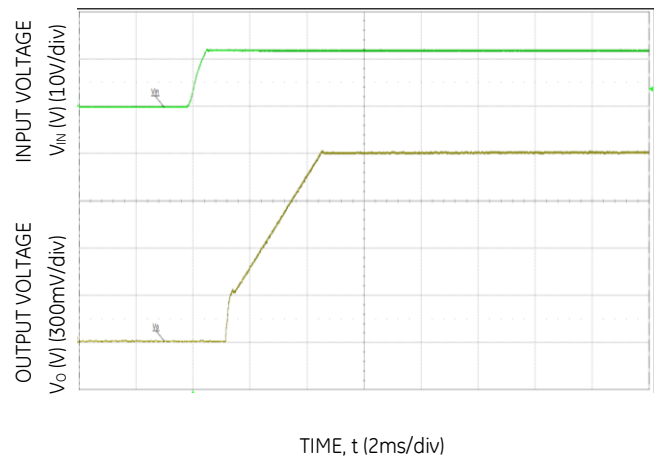


Figure 12. Typical Start-up Using Input Voltage (VIN = 12V, Io = Io,max.).

# 14A Analog PicoDLynxII™: Non-Isolated DC-DC Power Modules

4.5Vdc – 14.4Vdc input; 0.6Vdc to 5.5Vdc output; 14A Output Current

## Characteristic Curves

The following figures provide typical characteristics for the 14A Analog PicoDLynxII™ at 1.8Vo and 25°C.

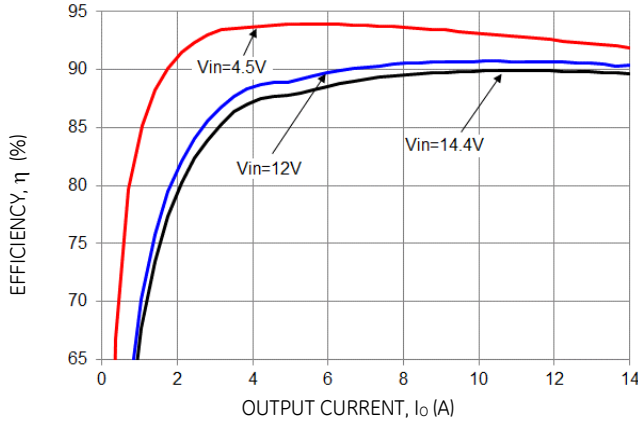


Figure 13. Converter Efficiency versus Output Current.

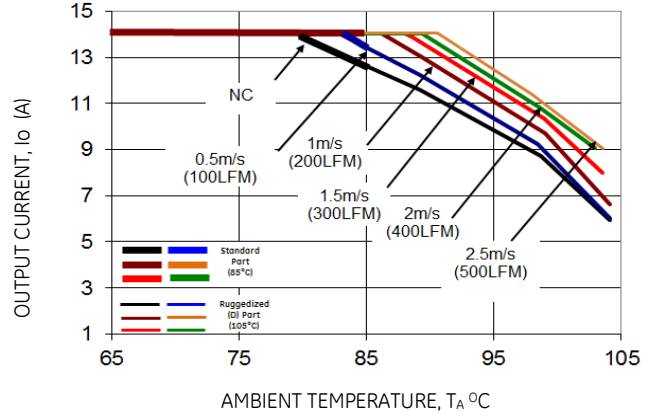


Figure 14. Derating Output Current versus Ambient Temperature and Airflow.

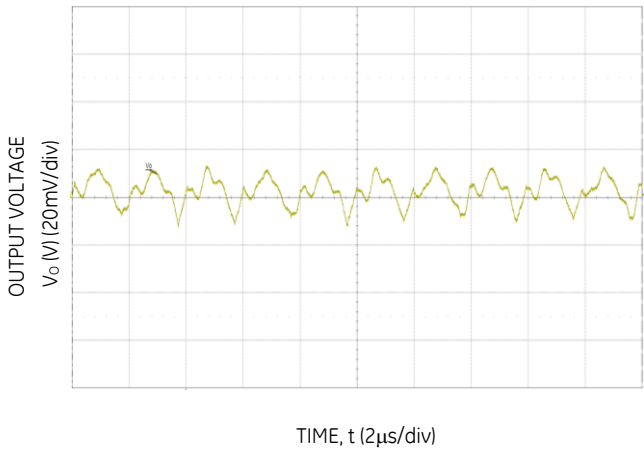


Figure 15. Typical output ripple and noise (Co=5X22µF ceramic, VIN = 12V, Io = Io,max).

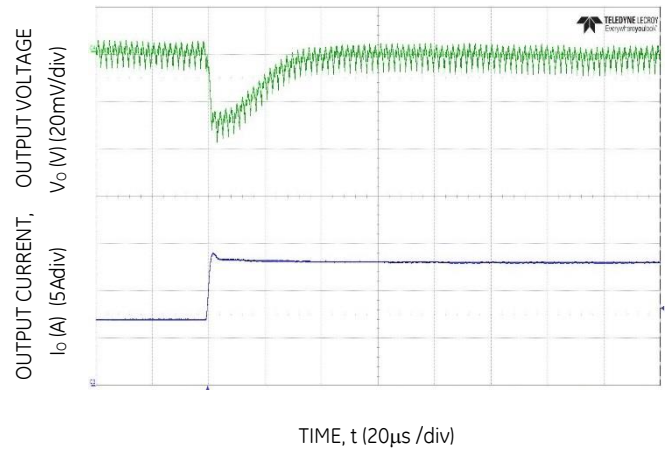


Figure 16. Transient Response to Dynamic Load Change from 50% to 100% at 12Vin, Cout=8x47µF+2x330µF CTune=1.8nF, RTune=300Ω

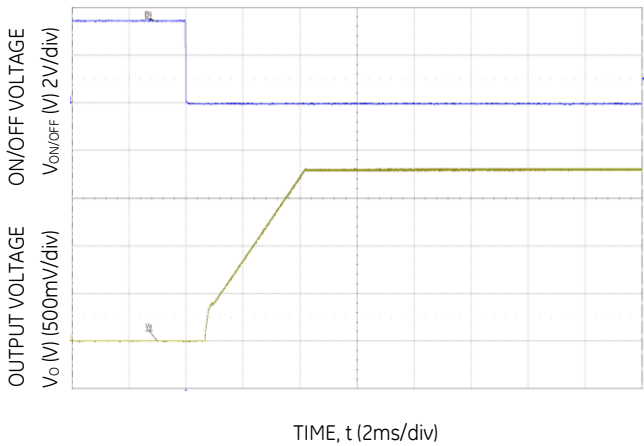


Figure 17. Typical Start-up Using On/Off Voltage (Io = Io,max).

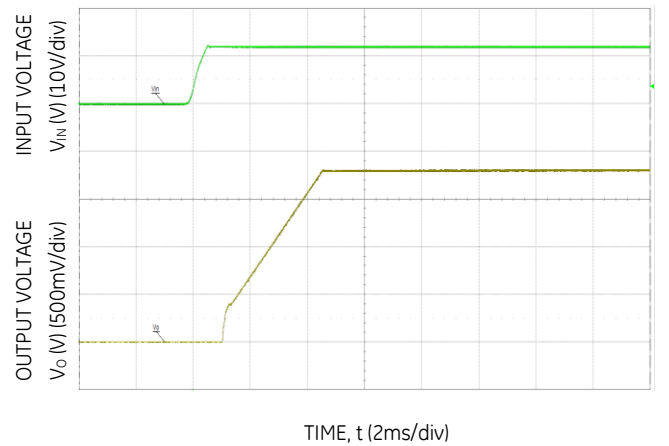


Figure 18. Typical Start-up Using Input Voltage (VIN = 12V, Io = Io,max).



# 14A Analog PicoDLynxII™: Non-Isolated DC-DC Power Modules

4.5Vdc – 14.4Vdc input; 0.6Vdc to 5.5Vdc output; 14A Output Current

## Characteristic Curves

The following figures provide typical characteristics for the 14A Analog PicoDLynxII™ at 2.5Vo and 25°C.

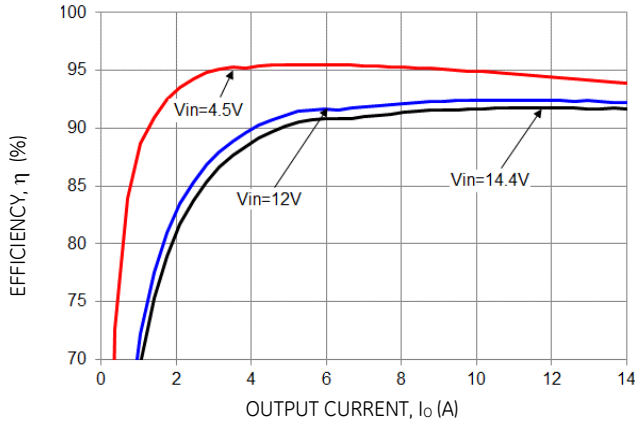


Figure 19. Converter Efficiency versus Output Current.

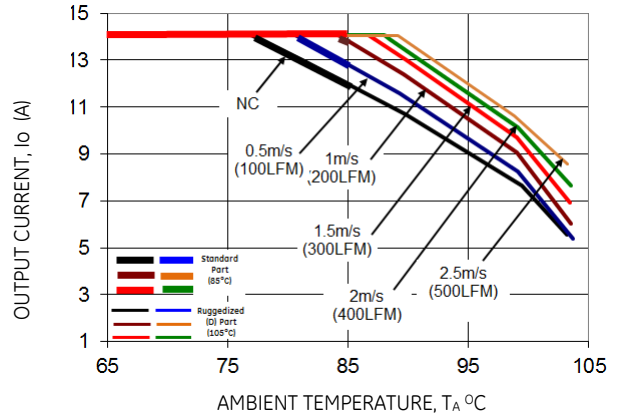


Figure 20. Derating Output Current versus Ambient Temperature and Airflow.

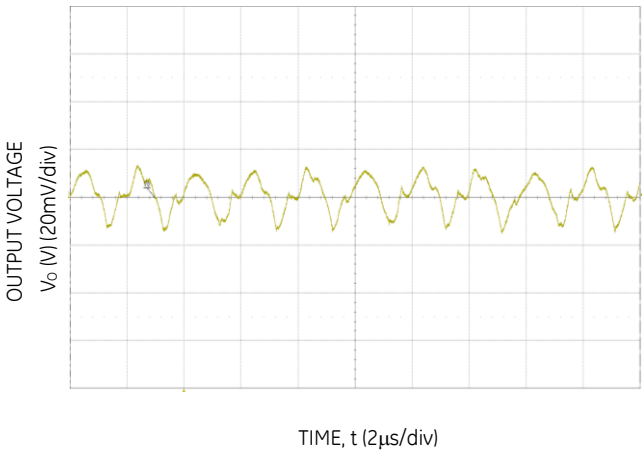


Figure 21. Typical output ripple and noise ( $C_o=5 \times 22\mu\text{F}$  ceramic,  $V_{IN} = 12\text{V}$ ,  $I_o = I_{o,max}$ ).

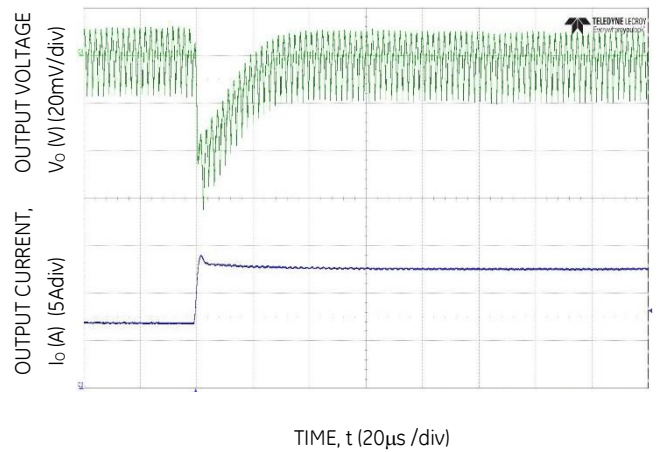


Figure 22. Transient Response to Dynamic Load Change from 50% to 100% at 12Vin,  $C_{out} = 4 \times 47\mu\text{F} + 1 \times 330\mu\text{F}$   $C_{Tune} = 1.2\text{nF}$ ,  $R_{Tune} = 300\Omega$

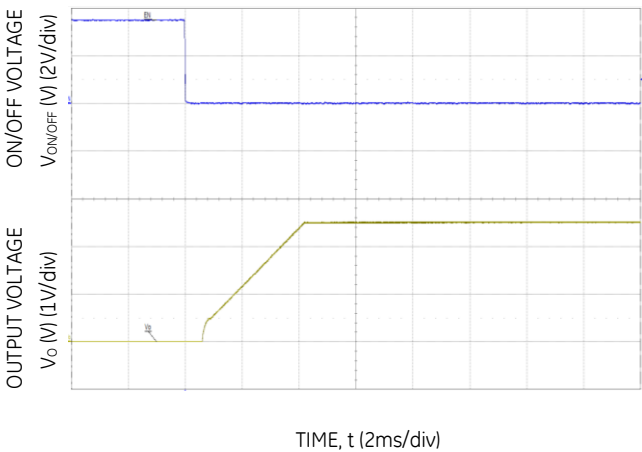


Figure 23. Typical Start-up Using On/Off Voltage ( $I_o = I_{o,max}$ ).

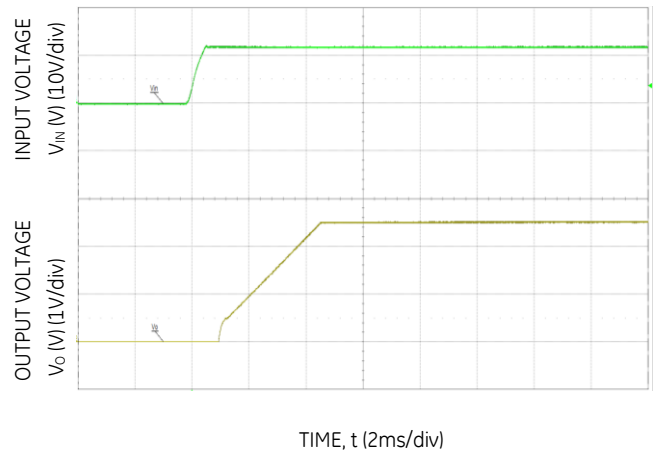


Figure 24. Typical Start-up Using Input Voltage ( $V_{IN} = 12\text{V}$ ,  $I_o = I_{o,max}$ ).

# 14A Analog PicoDLynxII™: Non-Isolated DC-DC Power Modules

4.5Vdc – 14.4Vdc input; 0.6Vdc to 5.5Vdc output; 14A Output Current

## Characteristic Curves

The following figures provide typical characteristics for the 14A Analog PicoDLynxII™ at 3.3V<sub>o</sub> and 25°C.

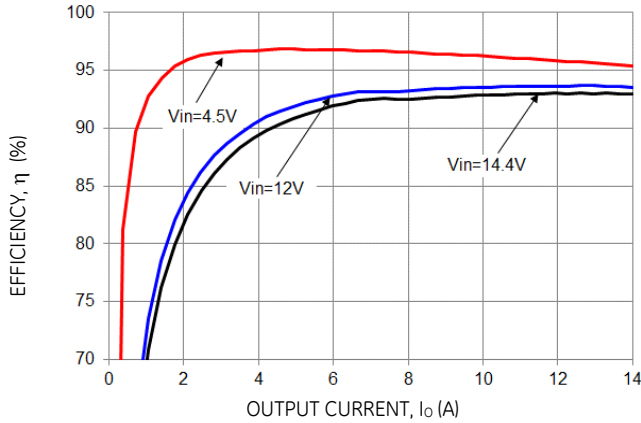


Figure 25. Converter Efficiency versus Output Current.

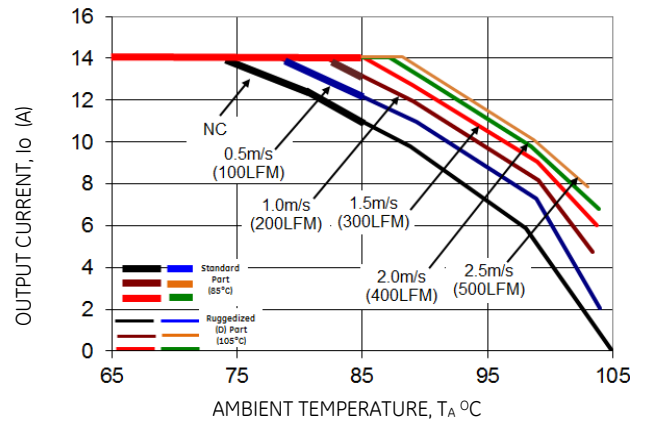


Figure 26. Derating Output Current versus Ambient Temperature and Airflow.

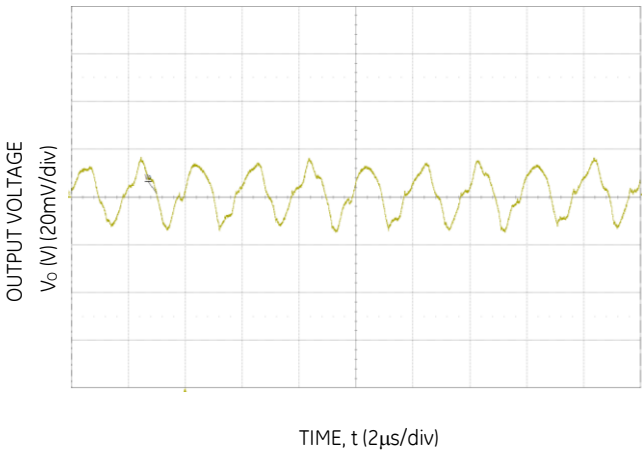


Figure 27. Typical output ripple and noise (C<sub>o</sub>=5x22µF ceramic, V<sub>IN</sub> = 12V, I<sub>o</sub> = I<sub>o,max</sub>).

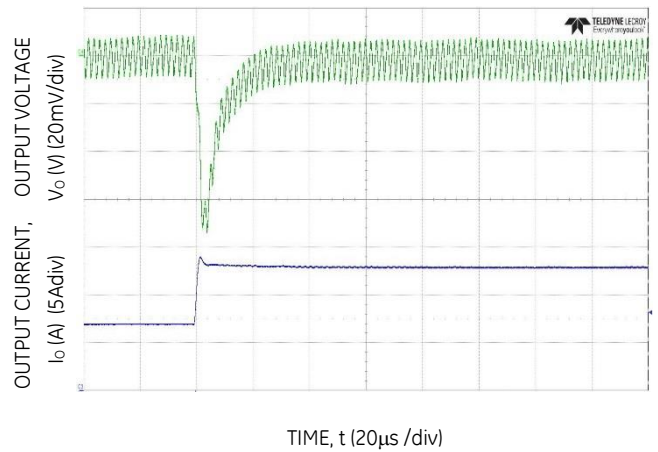


Figure 28 Transient Response to Dynamic Load Change from 50% to 100% at 12V<sub>in</sub>, C<sub>out</sub>=8x47µF, C<sub>Tune</sub>=1.2nF, R<sub>Tune</sub>=300Ω

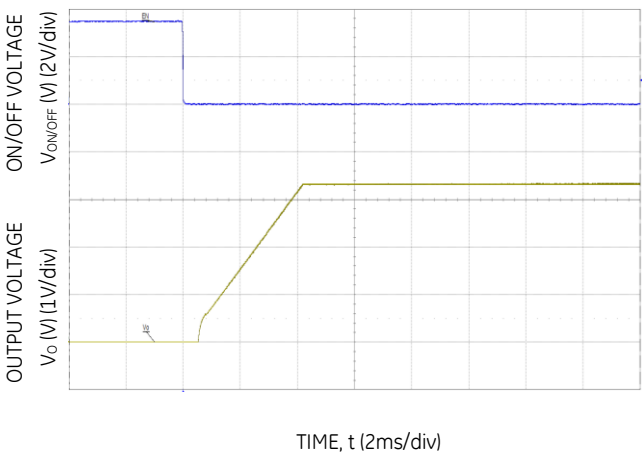


Figure 29. Typical Start-up Using On/Off Voltage (I<sub>o</sub> = I<sub>o,max</sub>).

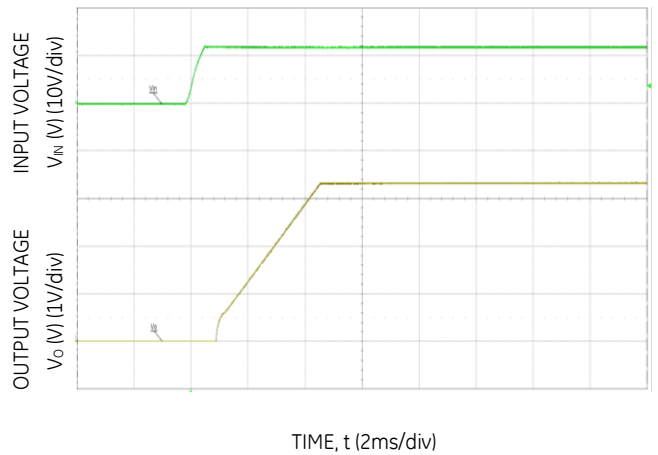


Figure 30. Typical Start-up Using Input Voltage (V<sub>IN</sub> = 12V, I<sub>o</sub> = I<sub>o,max</sub>).

# 14A Analog PicoDLynxII™: Non-Isolated DC-DC Power Modules

4.5Vdc – 14.4Vdc input; 0.6Vdc to 5.5Vdc output; 14A Output Current

## Characteristic Curves

The following figures provide typical characteristics for the 14A Analog PicoDLynxII™ at 5.0Vo and 25°C.

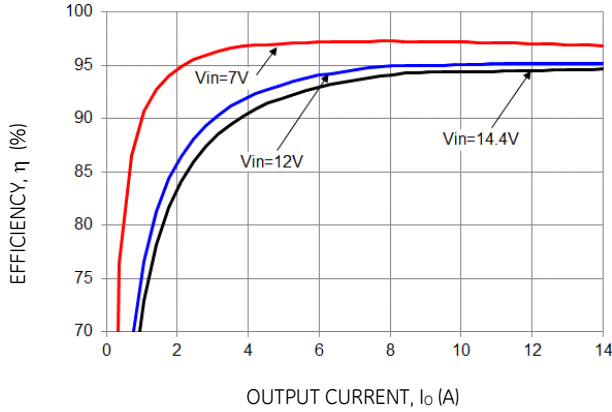


Figure 31. Converter Efficiency versus Output Current.

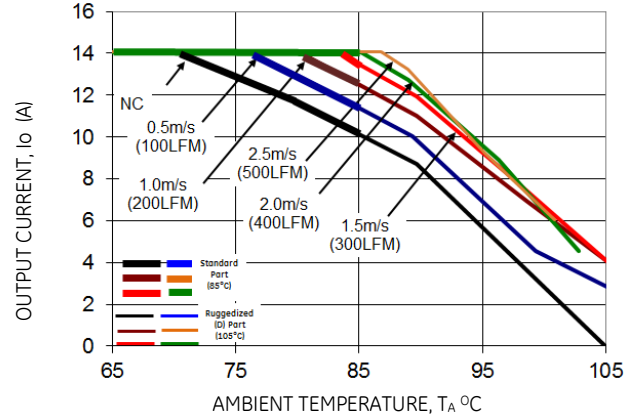


Figure 32. Derating Output Current versus Ambient Temperature and Airflow.

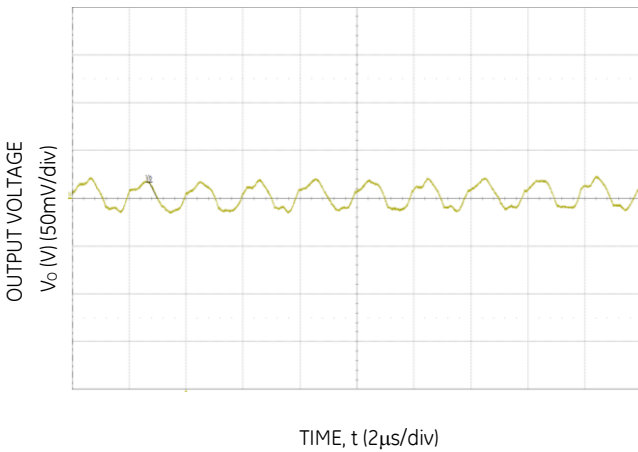


Figure 33. Typical output ripple and noise ( $C_o=5 \times 22\mu\text{F}$  ceramic,  $V_{IN} = 12\text{V}$ ,  $I_o = I_{o,max}$ ).

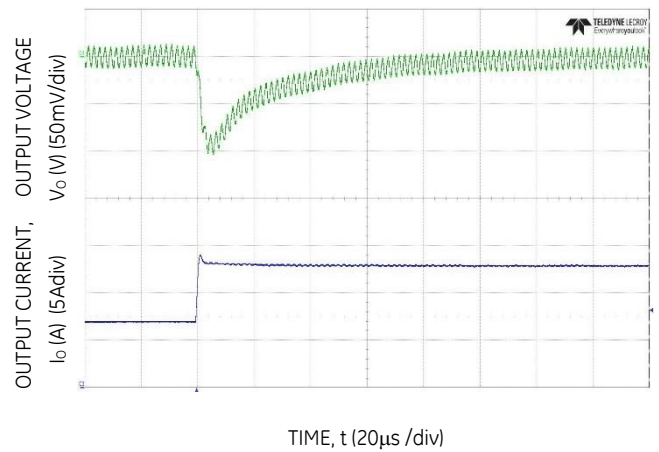


Figure 34. Transient Response to Dynamic Load Change from 50% to 100% at 12Vin,  $C_{out}=8 \times 47\mu\text{F}$ ,  $C_{Tune}=470\text{pF}$ ,  $R_{Tune}=300\Omega$

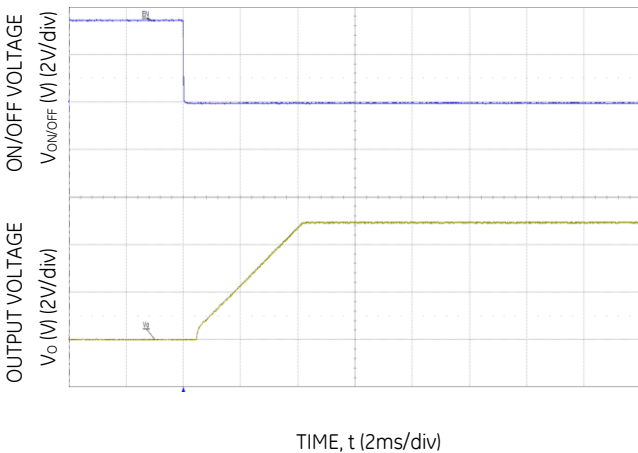


Figure 35. Typical Start-up Using On/Off Voltage ( $I_o = I_{o,max}$ ).

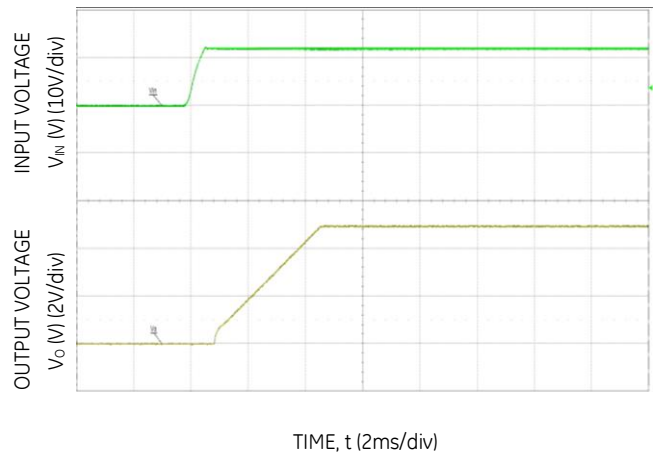


Figure 36. Typical Start-up Using Input Voltage ( $V_{IN} = 12\text{V}$ ,  $I_o = I_{o,max}$ ).

# 14A Analog PicoDLynxII™: Non-Isolated DC-DC Power Modules

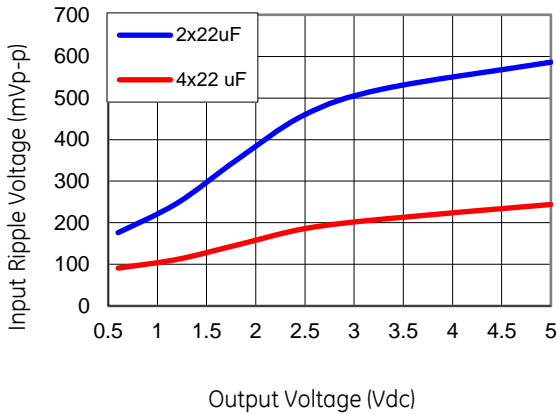
4.5Vdc –14.4Vdc input; 0.6Vdc to 5.5Vdc output; 14A Output Current

## Design Considerations

### Input Filtering

The 14A Analog PicoDLynxII™ module should be connected to a low ac-impedance source. A highly inductive source can affect the stability of the module. An input capacitance must be placed directly adjacent to the input pin of the module, to minimize input ripple voltage and ensure module stability.

To minimize input voltage ripple, ceramic capacitors are recommended at the input of the module. Figure 31 shows the input ripple voltage for various output voltages at 14A of load current with 2x22 μF or 4x22 μF ceramic capacitors and an input of 12V.

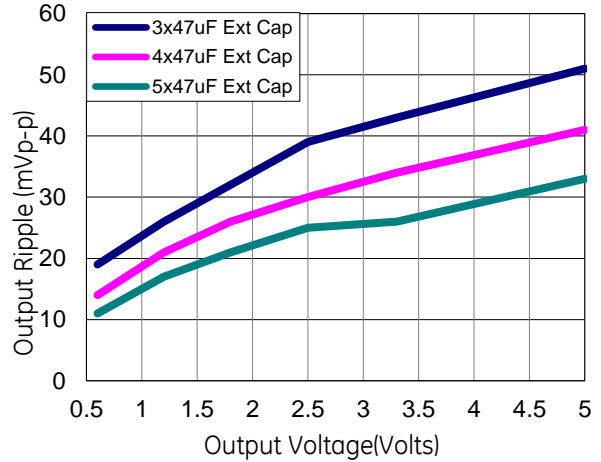


**Figure 37. Input ripple voltage for various output voltages with 2x22 μF or 4x22 μF ceramic capacitors at the input (14A load). Input voltage is 12V.**

### Output Filtering

These modules are designed for low output ripple voltage and will meet the maximum output ripple specification with 0.1 μF ceramic and 5x22 μF ceramic capacitors at the output of the module. However, additional output filtering may be required by the system designer for a number of reasons. First, there may be a need to further reduce the output ripple and noise of the module. Second, the dynamic response characteristics may need to be customized to a particular load step change.

To reduce the output ripple and improve the dynamic response to a step load change, additional capacitance at the output can be used. Low ESR polymer and ceramic capacitors are recommended to improve the dynamic response of the module. Figure 32 provides output ripple information for different external capacitance values at various Vo and a full load current of 14A. For stable operation of the module, limit the capacitance to less than the maximum output capacitance as specified in the electrical specification table. Optimal performance of the module can be achieved by using the Tunable Loop™ feature described later in this data sheet.



**Figure 38. Output ripple voltage for various output voltages with external 3x47 μF, 4x47 μF or 5x47 μF ceramic capacitors at the output (14A load). Input voltage is 12V.**

## Safety Considerations

For safety agency approval the power module must be installed in compliance with the spacing and separation requirements of the end-use safety agency standards, i.e., ANSI/UL 60950-1 2<sup>nd</sup> Revised October 14, 2014, CSA C22.2 No. 60950-1-07, Second Ed. + A2:2014 (MOD), DIN EN 60950-1:2006 + A11:2009 + A1:2010 +A12:2011, + A2:2013 (VDE0805 Teil 1: 2014-08)(pending).

For the converter output to be considered meeting the requirements of safety extra-low voltage (SELV), the input must meet SELV requirements. The power module has extra-low voltage (ELV) outputs when all inputs are ELV.

An external 30A Littelfuse 456 series fast-acting fuse or equivalent is recommended on the ungrounded input lead.

# 14A Analog PicoDLynxII™: Non-Isolated DC-DC Power Modules

4.5Vdc –14.4Vdc input; 0.6Vdc to 5.5Vdc output; 14A Output Current

## Analog Feature Descriptions

### Remote On/Off

The 14A Analog PicoDLynxII™ power modules feature an On/Off pin for remote On/Off operation. Two On/Off logic options are available. In the Positive Logic On/Off option, (device code suffix “4” – see Ordering Information), the module turns ON during a logic High on the On/Off pin and turns OFF during a logic Low. With the Negative Logic On/Off option, (no device code suffix, see Ordering Information), the module turns OFF during logic High and ON during logic Low. The On/Off signal should be always referenced to ground. For either On/Off logic option, leaving the On/Off pin disconnected will turn the module ON when input voltage is present.

For positive logic modules, the circuit configuration for using the On/Off pin is shown in Figure 39. When the external transistor Q1 is in the OFF state, the internal PWM #Enable is pulled up internally, thus turning the module ON. When transistor Q1 is turned ON, the On/Off pin is pulled low, and consequently the internal PWM Enable signal is pulled low and the module is OFF.

For negative logic On/Off modules, the circuit configuration is shown in Fig. 40. The On/Off pin should be pulled high with an external pull-up resistor. When transistor Q2 is in the OFF state, the On/Off pin is pulled high, which pulls the internal ENABLE# High and the module is OFF. To turn the module ON, Q2 is turned ON pulling the On/Off pin low resulting in the PWM ENABLE# pin going Low. The maximum voltage allowed on the On/Off pin is 7V. If Vin is used as a source, then a suitable external resistor R1 must be used to ensure that the voltage on the On/Off pin does not exceed 7V.

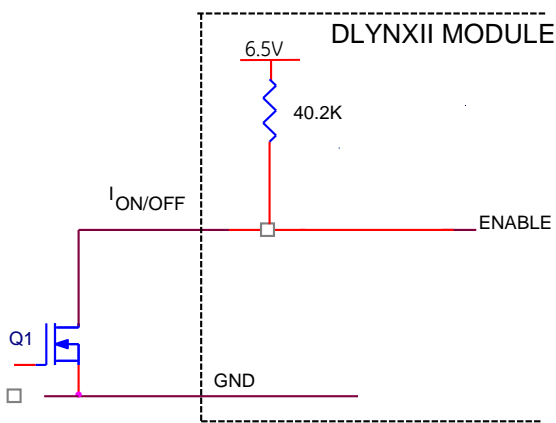


Figure 39. Circuit configuration for using positive On/Off logic.

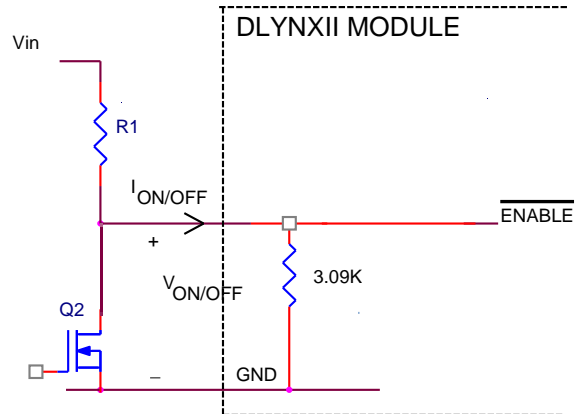


Figure 40. Circuit configuration for using negative On/Off logic.

### Monotonic Start-up and Shutdown

The module has monotonic start-up and shutdown behavior for any combination of rated input voltage, output current and operating temperature range.

### Startup into Pre-biased Output

The module can start into a prebiased output as long as the prebias voltage is 0.5V less than the set output voltage.

### Analog Output Voltage Programming

The output voltage of the module is programmable to any voltage from 0.6dc to 5.5Vdc by connecting a resistor between the Trim and SIG\_GND pins of the module. Certain restrictions apply on the output voltage set point depending on the input voltage. These are shown in the Output Voltage vs. Input Voltage Set Point Area plot in Fig. 35. The Upper Limit curve shows that for output voltages lower than 1V, the input voltage must be lower than the maximum of 14.4V. The Lower Limit curve shows that for output voltages higher than 3.3V, the input voltage needs to be higher than the minimum of 4.5V.

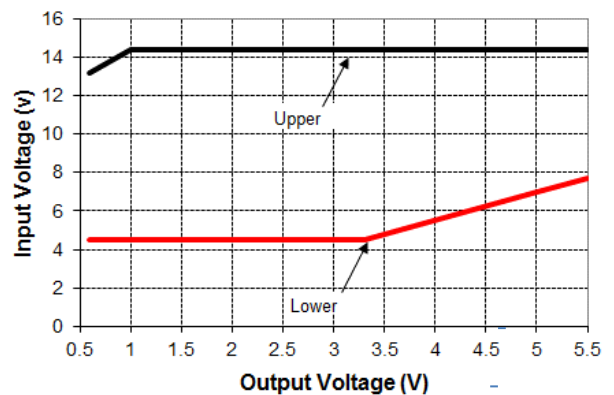
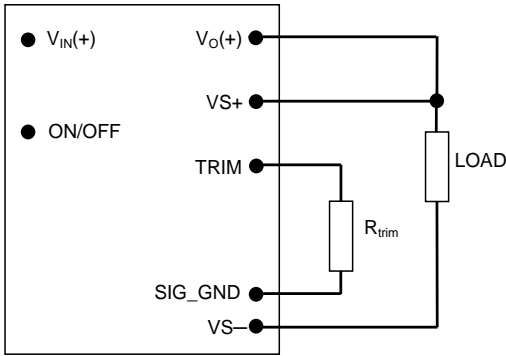


Figure 41. Output Voltage vs. Input Voltage Set Point Area plot showing limits where the output voltage can be set for different input voltages.

# 14A Analog PicoDLynxII™: Non-Isolated DC-DC Power Modules

4.5Vdc –14.4Vdc input; 0.6Vdc to 5.5Vdc output; 14A Output Current



**Caution** – Do not connect SIG\_GND to GND elsewhere in the layout

**Figure 42. Circuit configuration for programming output voltage using an external resistor.**

Without an external resistor between Trim and SIG\_GND pins, the output of the module will be 0.6Vdc. To calculate the value of the trim resistor, *Rtrim* for a desired output voltage, should be as per the following equation:

$$R_{trim} = \left[ \frac{12}{(V_o - 0.6)} \right] k\Omega$$

*Rtrim* is the external resistor in kΩ

*Vo* is the desired output voltage.

Table 1 provides *Rtrim* values required for some common output voltages.

**Table 1**

| <i>V<sub>o, set</sub></i> (V) | <i>Rtrim</i> (KΩ) |
|-------------------------------|-------------------|
| 0.6                           | Open              |
| 0.9                           | 40                |
| 1.0                           | 30                |
| 1.2                           | 20                |
| 1.5                           | 13.33             |
| 1.8                           | 10                |
| 2.5                           | 6.316             |
| 3.3                           | 4.444             |
| 5.0                           | 2.727             |

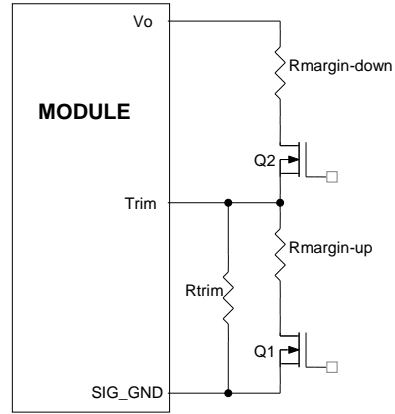
### Remote Sense

The power module has a Remote Sense feature to minimize the effects of distribution losses by regulating the voltage between the sense pins (VS+ and VS-). The voltage drop between the sense pins and the VOUT and GND pins of the module should not exceed 0.5V.

### Analog Voltage Margining

Output voltage margining can be implemented in the module by connecting a resistor, *Rmargin-up*, from the Trim pin

to the ground pin for margining-up the output voltage and by connecting a resistor, *Rmargin-down*, from the Trim pin to output pin for margining-down. Figure 43 shows the circuit configuration for output voltage margining. The POL Programming Tool or Power Module Wizard(PMW), available at [www.gecriticalpower.com](http://www.gecriticalpower.com) under the Downloads section, also calculates the values of *Rmargin-up* and *Rmargin-down* for a specific output voltage and % margin. Please consult your local GE technical representative for additional details.



**Figure 43. Circuit Configuration for margining Output voltage.**



# 14A Analog PicoDLynxII™: Non-Isolated DC-DC Power Modules

4.5Vdc –14.4Vdc input; 0.6Vdc to 5.5Vdc output; 14A Output Current

### Overcurrent Protection

To provide protection in a fault (output overload) condition, the unit is equipped with internal current-limiting circuitry and can endure current limiting continuously. At the point of current-limit inception, the unit enters hiccup mode. The unit operates normally once the output current is brought back into its specified range.

### Overtemperature Protection

To provide protection in a fault condition, the unit is equipped with a thermal shutdown circuit. The unit will shut down if the over-temperature threshold of 135°C (typ) is exceeded at the thermal reference point  $T_{ref}$ . Please refer to Electrical characteristic table, over-temperature section on page 5. Once the unit goes into thermal shutdown it will then wait to cool before attempting to restart.

### Input Undervoltage Lockout

At input voltages below the input undervoltage lockout limit, the module operation is disabled. The module will begin to operate at an input voltage above the undervoltage lockout turn-on threshold.

### Synchronization

The module switching frequency can be synchronized to a signal with an external frequency within a specified range. Synchronization can be done by using the external signal applied to the SYNC pin of the module as shown in Fig. 45, with the converter being synchronized by the rising edge of the external signal. The module switches at half the SYNC frequency. The Electrical Specifications table specifies the requirements of the external SYNC signal. If the SYNC pin is not used, the module will free run at the default switching frequency. **If synchronization is not being used, connect the SYNC pin to Sig\_GND.**

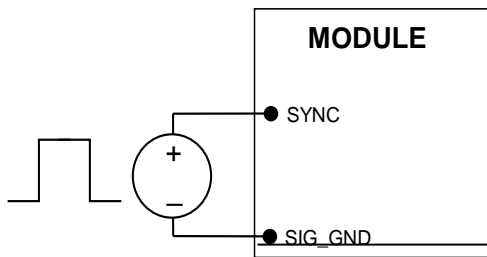


Figure 45. External source connections to synchronize switching frequency of the module.

### Dual Layout

Identical dimensions and pin layout of Analog and Digital PicoDLynxII modules permit migration from one to the other without needing to change the layout. In both cases the trim resistor is connected between trim and signal ground. The output of the analog module cannot be trimmed down to 0.51V

### Tunable Loop™

The module has a feature that optimizes transient response of the module called Tunable Loop™.

External capacitors are usually added to the output of the module for two reasons: to reduce output ripple and noise (see Figure 38) and to reduce output voltage deviations from the steady-state value in the presence of dynamic load current changes. Adding external capacitance however affects the voltage control loop of the module, typically causing the loop to slow down with sluggish response. Larger values of external capacitance could also cause the module to become unstable.

The Tunable Loop™ allows the user to externally adjust the voltage control loop to match the filter network connected to the output of the module. The Tunable Loop™ is implemented by connecting a series R-C between the VS+ and TRIM pins of the module, as shown in Fig. 40. This R-C allows the user to externally adjust the voltage loop feedback compensation of the module.

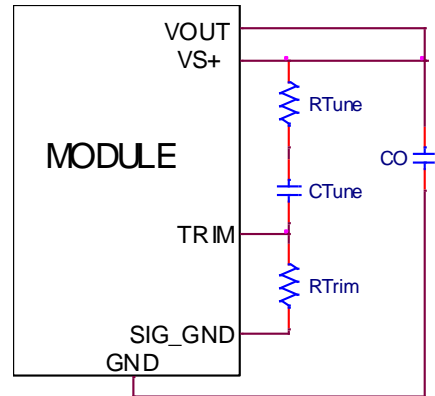


Figure 46. Circuit diagram showing connection of  $R_{TUNE}$  and  $C_{TUNE}$  to tune the control loop of the module.

Recommended values of  $R_{TUNE}$  and  $C_{TUNE}$  for different output capacitor combinations are given in Tables 2 and 3. Table 3 shows the recommended values of  $R_{TUNE}$  and  $C_{TUNE}$  for different values of ceramic output capacitors up to 1000uF that might be needed for an application to meet output ripple and noise requirements. Selecting  $R_{TUNE}$  and  $C_{TUNE}$  according to Table 3 will ensure stable operation of the module.

In applications with tight output voltage limits in the presence of dynamic current loading, additional output capacitance will be required. Table 3 lists recommended values of  $R_{TUNE}$  and  $C_{TUNE}$  in order to meet 2% output voltage deviation limits for some common output voltages in the presence of a 7A to 14A step change (50% of full load), with an input voltage of 12V.

Please contact your GE technical representative to obtain more details of this feature as well as for guidelines on how to select the right value of external R-C to tune the module for best transient performance and stable operation for other output capacitance values.

## 14A Analog PicoDLynxII™: Non-Isolated DC-DC Power Modules

4.5Vdc –14.4Vdc input; 0.6Vdc to 5.5Vdc output; 14A Output Current

**Table 2. General recommended values of  $R_{TUNE}$  and  $C_{TUNE}$  for  $V_{in}=12V$  and various external ceramic capacitor combinations.**

| Co         | 4x47 $\mu$ F | 6x47 $\mu$ F | 8x47 $\mu$ F | 10x47 $\mu$ F | 20x47 $\mu$ F |
|------------|--------------|--------------|--------------|---------------|---------------|
| $R_{TUNE}$ | 300          | 300          | 300          | 300           | 300           |
| $C_{TUNE}$ | 220p         | 330p         | 390p         | 470p          | 1n            |

**Table 3. Recommended values of  $R_{TUNE}$  and  $C_{TUNE}$  to obtain transient deviation of 2% of  $V_{out}$  for a 7A step load with  $V_{in}=12V$ .**

| $V_o$      | 5V     | 3.3V   | 2.5V                | 1.8V                   | 1.2V                | 0.6V                   |
|------------|--------|--------|---------------------|------------------------|---------------------|------------------------|
| Co         | 8x47uF | 8x47uF | 4x47uF +<br>1x330uF | 8x47uF<br>+<br>2x330uF | 8x47uF +<br>3x330uF | 8x47uF<br>+<br>8x330uF |
| $R_{TUNE}$ | 300    | 300    | 300                 | 300                    | 300                 | 300                    |
| $C_{TUNE}$ | 470pF  | 1200pF | 1200pF              | 1800pF                 | 3.9nF               | 27nF                   |
| $\Delta V$ | 72mV   | 47mV   | 37mV                | 25mV                   | 17mV                | 9mV                    |

**Note: The capacitors used in the Tunable Loop tables are 47  $\mu$ F/3 m $\Omega$  ESR ceramic and 330  $\mu$ F/9 m $\Omega$  ESR polymer capacitors.**

### Power Module Wizard

GE offers a free web based easy to use tool that helps users simulate the Tunable Loop performance of the PKX014. Go to <http://ge.transim.com/pmd/Home> and sign up for a free account and use the module selector tool. The tool also offers downloadable Simplis/Simatrix models that can be used to assess transient performance, module stability, etc.

### Power Good

The PGOOD terminal can be connected through a pullup resistor (suggested value 100K $\Omega$ ) to a source of 5VDC or lower. The current through the PGood terminal should be limited to a max value of 5mA



# 14A Analog PicoDLynxII™: Non-Isolated DC-DC Power Modules

4.5Vdc –14.4Vdc input; 0.6Vdc to 5.5Vdc output; 14A Output Current

## Thermal Considerations

Power modules operate in a variety of thermal environments; however, sufficient cooling should always be provided to help ensure reliable operation.

Considerations include ambient temperature, airflow, module power dissipation, and the need for increased reliability. A reduction in the operating temperature of the module will result in an increase in reliability. The thermal data presented here is based on physical measurements taken in a wind tunnel. The test set-up is shown in Figure 48. The preferred airflow direction for the module is in Figure 49.

The thermal reference points,  $T_{ref}$  used in the specifications are also shown in Figure 49. For reliable operation the temperatures at these points should not exceed 120°C. The output power of the module should not exceed the rated power of the module ( $V_{o,set} \times I_{o,max}$ ).

Please refer to the Application Note “Thermal Characterization Process For Open-Frame Board-Mounted Power Modules” for a detailed discussion of thermal aspects including maximum device temperatures.

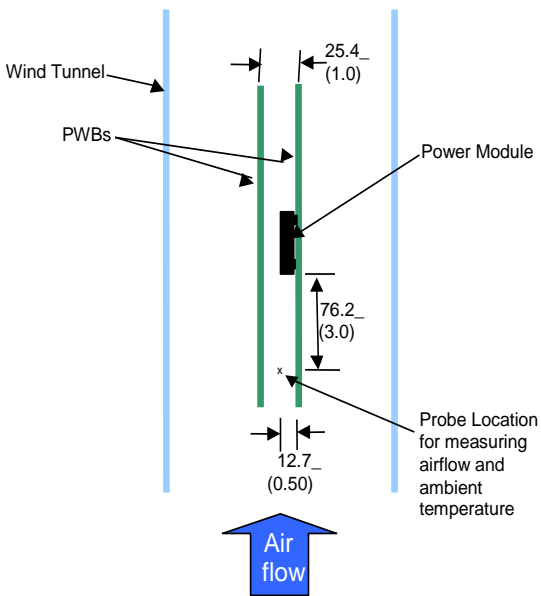


Figure 48. Thermal Test Setup.

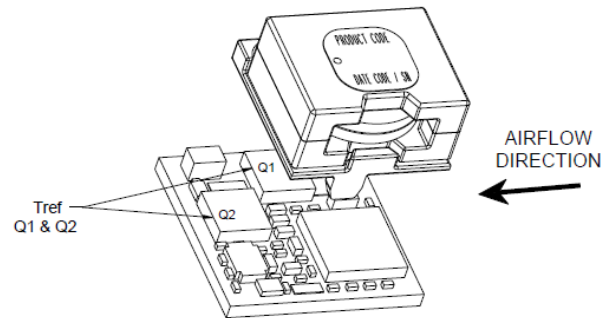


Figure 49. Preferred airflow direction and location of hot-spot of the module ( $T_{ref}$ ).

# 14A Analog PicoDLynxII™: Non-Isolated DC-DC Power Modules

4.5Vdc –14.4Vdc input; 0.6Vdc to 5.5Vdc output; 14A Output Current

## Shock and Vibration

The ruggedized (-D version) of the modules are designed to withstand elevated levels of shock and vibration to be able to operate in harsh environments. The ruggedized modules have been successfully tested to the following conditions:

### Non operating random vibration:

Random vibration tests conducted at 25C, 10 to 2000Hz, for 30 minutes each level, starting from 30Grms (Z axis) and up to 50Grms (Z axis). The units were then subjected to two more tests of 50Grms at 30 minutes each for a total of 90 minutes.

### Operating shock to 40G per Mil Std. 810G, Method 516.4 Procedure I:

The modules were tested in opposing directions along each of three orthogonal axes, with waveform and amplitude of the shock impulse characteristics as follows:

All shocks were half sine pulses, 11 milliseconds (ms) in duration in all 3 axes.

Units were tested to the Functional Shock Test of MIL-STD-810, Method 516.4, Procedure I - Figure 516.4-4. A shock magnitude of 40G was utilized. The operational units were subjected to three shocks in each direction along three axes for a total of eighteen shocks.

### Operating vibration per Mil Std 810G, Method 514.5 Procedure I:

The ruggedized (-D version) modules are designed and tested to vibration levels as outlined in MIL-STD-810G, Method 514.5, and Procedure 1, using the Power Spectral Density (PSD) profiles as shown in Table 4 and Table 5 for all axes. Full compliance with performance specifications was required during the performance test. No damage was allowed to the module and full compliance to performance specifications was required when the endurance environment was removed. The module was tested per MIL-STD-810, Method 514.5, Procedure I, for functional (performance) and endurance random vibration using the performance and endurance levels shown in Table 4 and Table 5 for all axes. The performance test has been split, with one half accomplished before the endurance test and one half after the endurance test (in each axis). The duration of the performance test was at least 16 minutes total per axis and at least 120 minutes total per axis for the endurance test. The endurance test period was 2 hours minimum per axis.

**Table 4: Performance Vibration Qualification - All Axes**

| Frequency (Hz) | PSD Level (G <sup>2</sup> /Hz) | Frequency (Hz) | PSD Level (G <sup>2</sup> /Hz) | Frequency (Hz) | PSD Level (G <sup>2</sup> /Hz) |
|----------------|--------------------------------|----------------|--------------------------------|----------------|--------------------------------|
| 10             | 1.14E-03                       | 170            | 2.54E-03                       | 690            | 1.03E-03                       |
| 30             | 5.96E-03                       | 230            | 3.70E-03                       | 800            | 7.29E-03                       |
| 40             | 9.53E-04                       | 290            | 7.99E-04                       | 890            | 1.00E-03                       |
| 50             | 2.08E-03                       | 340            | 1.12E-02                       | 1070           | 2.67E-03                       |
| 90             | 2.08E-03                       | 370            | 1.12E-02                       | 1240           | 1.08E-03                       |
| 110            | 7.05E-04                       | 430            | 8.84E-04                       | 1550           | 2.54E-03                       |
| 130            | 5.00E-03                       | 490            | 1.54E-03                       | 1780           | 2.88E-03                       |
| 140            | 8.20E-04                       | 560            | 5.62E-04                       | 2000           | 5.62E-04                       |

**Table 5: Endurance Vibration Qualification - All Axes**

| Frequency (Hz) | PSD Level (G <sup>2</sup> /Hz) | Frequency (Hz) | PSD Level (G <sup>2</sup> /Hz) | Frequency (Hz) | PSD Level (G <sup>2</sup> /Hz) |
|----------------|--------------------------------|----------------|--------------------------------|----------------|--------------------------------|
| 10             | 0.00803                        | 170            | 0.01795                        | 690            | 0.00727                        |
| 30             | 0.04216                        | 230            | 0.02616                        | 800            | 0.05155                        |
| 40             | 0.00674                        | 290            | 0.00565                        | 890            | 0.00709                        |
| 50             | 0.01468                        | 340            | 0.07901                        | 1070           | 0.01887                        |
| 90             | 0.01468                        | 370            | 0.07901                        | 1240           | 0.00764                        |
| 110            | 0.00498                        | 430            | 0.00625                        | 1550           | 0.01795                        |
| 130            | 0.03536                        | 490            | 0.01086                        | 1780           | 0.02035                        |
| 140            | 0.0058                         | 560            | 0.00398                        | 2000           | 0.00398                        |

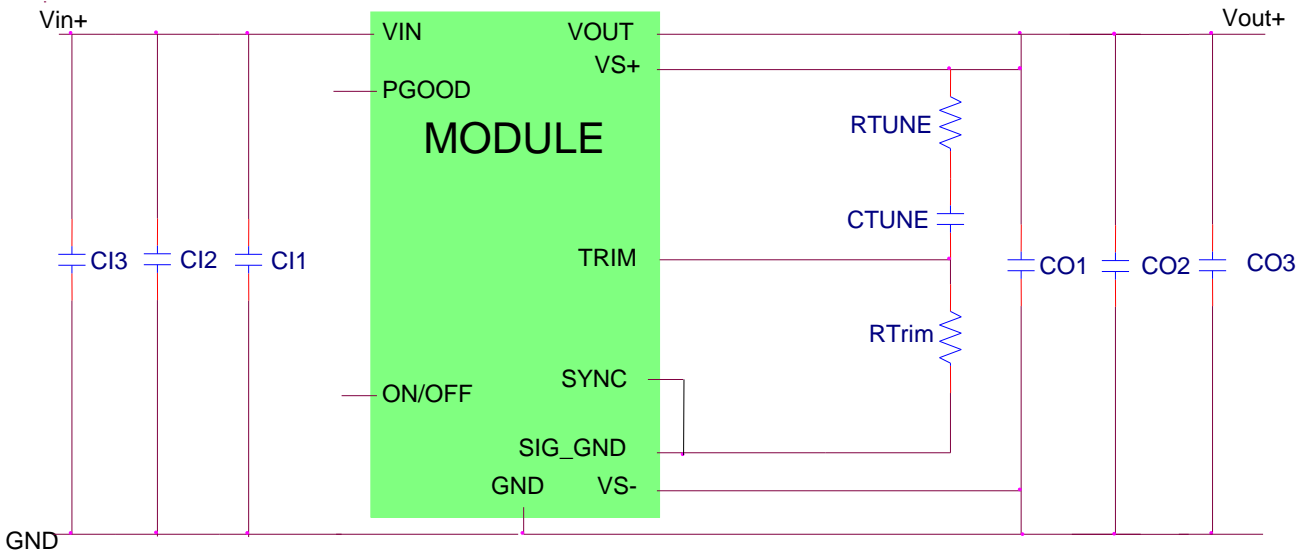
# 14A Analog PicoDLynxII™: Non-Isolated DC-DC Power Modules

4.5Vdc –14.4Vdc input; 0.6Vdc to 5.5Vdc output; 14A Output Current

## Example Application Circuit

### Requirements:

- Vin:** 12V
- Vout:** 1.8V
- Iout:** 10.5A max., worst case load transient is from 7A to 10.5A
- ΔVout:** 1.5% of Vout (27mV) for worst case load transient
- Vin, ripple:** 1.5% of Vin (180mV, p-p)



- C11 Decoupling caps - 1x0.047µF/16V ceramic(e.g. Murata LLL185R71C473MA01) + 1x0.1uF/16V 0402 ceramic
- C12 4x22µF/16V ceramic capacitor (e.g. Murata GRM32ER61C226KE20)
- C13 47µF/16V bulk electrolytic
- CO1 Decoupling caps - 1x0.047µF/16V ceramic (e.g. Murata LLL185R71C473MA01) + 1x0.1uF/16V 0402 ceramic
- CO2 4 x 47uF/6.3V 1210 ceramic capacitors
- CO3 1 x 330uF/6V POSCAP
- CTune 1000 pF ceramic capacitor (can be 1206, 0805 or 0603 size)
- RTune 300Ω SMT resistor (can be 1206, 0805 or 0603 size)
- RTrim 10kΩ SMT resistor (can be 1206, 0805 or 0603 size, recommended tolerance of 0.1%)

# 14A Analog PicoDLynxII™: Non-Isolated DC-DC Power Modules

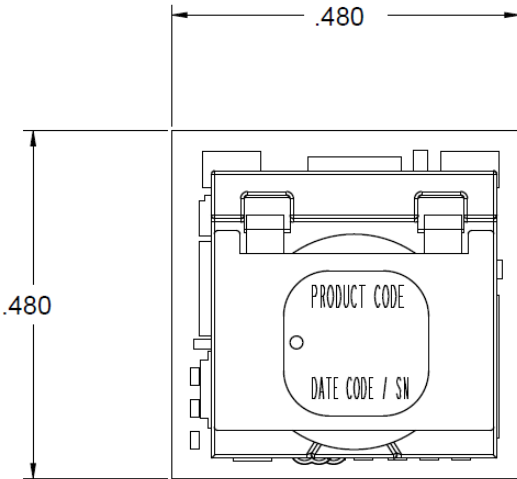
4.5Vdc –14.4Vdc input; 0.6Vdc to 5.5Vdc output; 14A Output Current

## Mechanical Outline

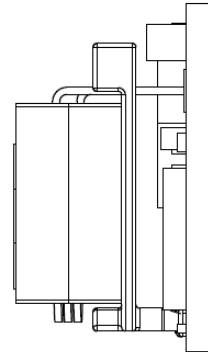
Dimensions are in millimeters and (inches).

Tolerances: x.x mm ± 0.5 mm (x.xx in. ± 0.02 in.) [unless otherwise indicated]

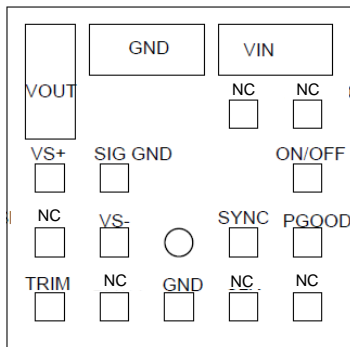
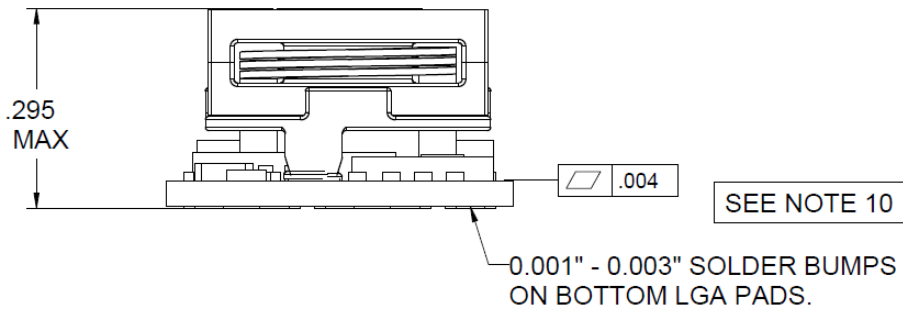
x.xx mm ± 0.25 mm (x.xxx in ± 0.010 in.)



TOP VIEW



SIDE VIEW



BOTTOM VIEW

| PIN | FUNCTION    | PIN | FUNCTION          |
|-----|-------------|-----|-------------------|
| 1   | ON/OFF      | 10  | PGOOD             |
| 2   | VIN         | 11  | SYNC <sup>1</sup> |
| 3   | GND         | 12  | VS-               |
| 4   | VOUT        | 13  | SIG_GND           |
| 5   | VS+ (SENSE) | 14  | NC                |
| 6   | TRIM        | 15  | NC                |
| 7   | GND         | 16  | NC                |
| 8   | NC          | 17  | NC                |
| 9   | NC          |     |                   |

<sup>1</sup> If unused, connect to SIG\_GND

# 14A Analog PicoDLynxII™: Non-Isolated DC-DC Power Modules

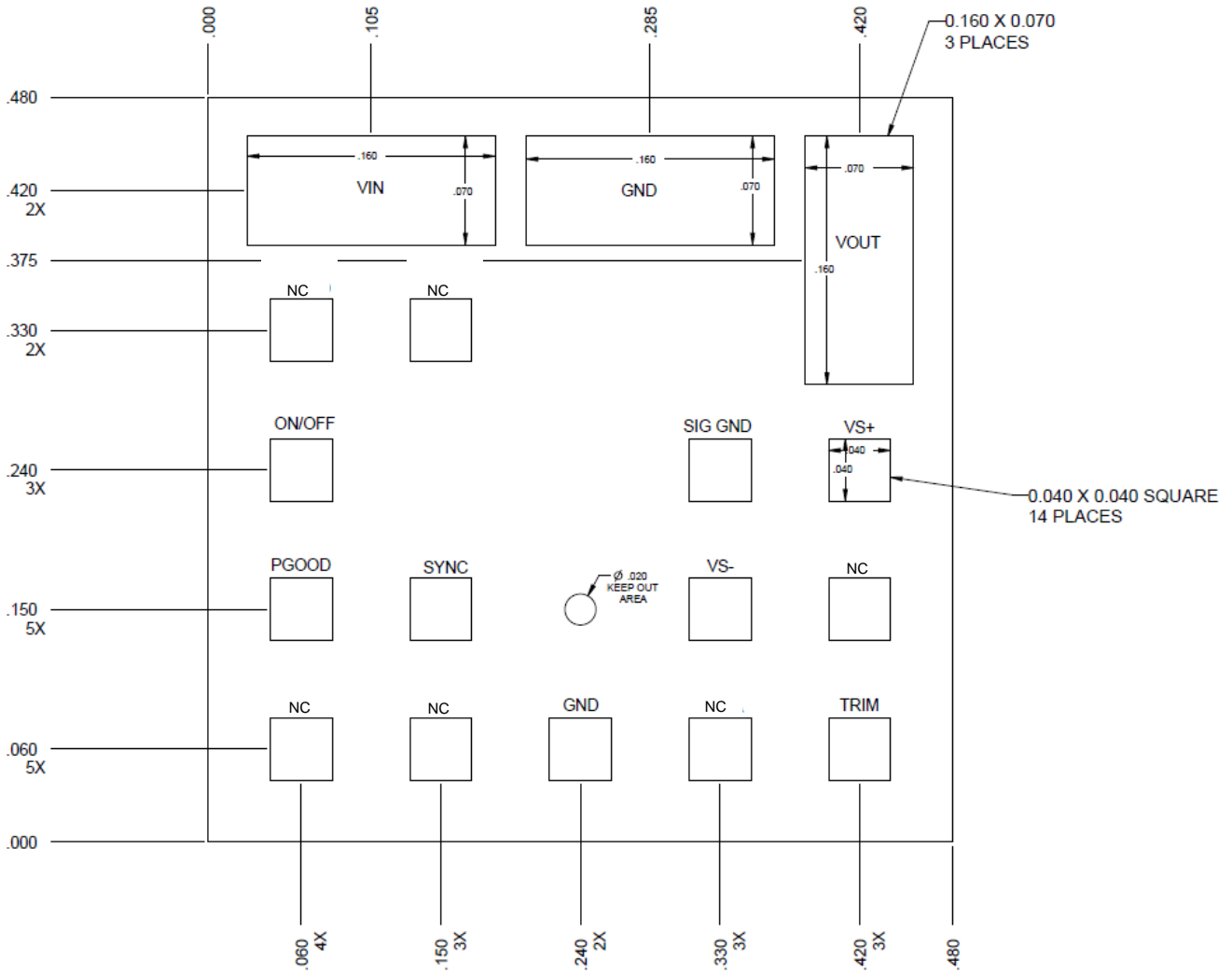
4.5Vdc –14.4Vdc input; 0.6Vdc to 5.5Vdc output; 14A Output Current

## Recommended Pad Layout

Dimensions are in millimeters and (inches).

Tolerances: x.x mm ± 0.5 mm (x.xx in. ± 0.02 in.) [unless otherwise indicated]

x.xx mm ± 0.25 mm (x.xxx in ± 0.010 in.)



| PIN | FUNCTION    | PIN | FUNCTION          |
|-----|-------------|-----|-------------------|
| 1   | ON/OFF      | 10  | PGOOD             |
| 2   | VIN         | 11  | SYNC <sup>2</sup> |
| 3   | GND         | 12  | VS-               |
| 4   | VOUT        | 13  | SIG_GND           |
| 5   | VS+ (SENSE) | 14  | NC                |
| 6   | TRIM        | 15  | NC                |
| 7   | GND         | 16  | NC                |
| 8   | NC          | 17  | NC                |
| 9   | NC          |     |                   |

<sup>2</sup> If unused, connect to SIG\_GND.

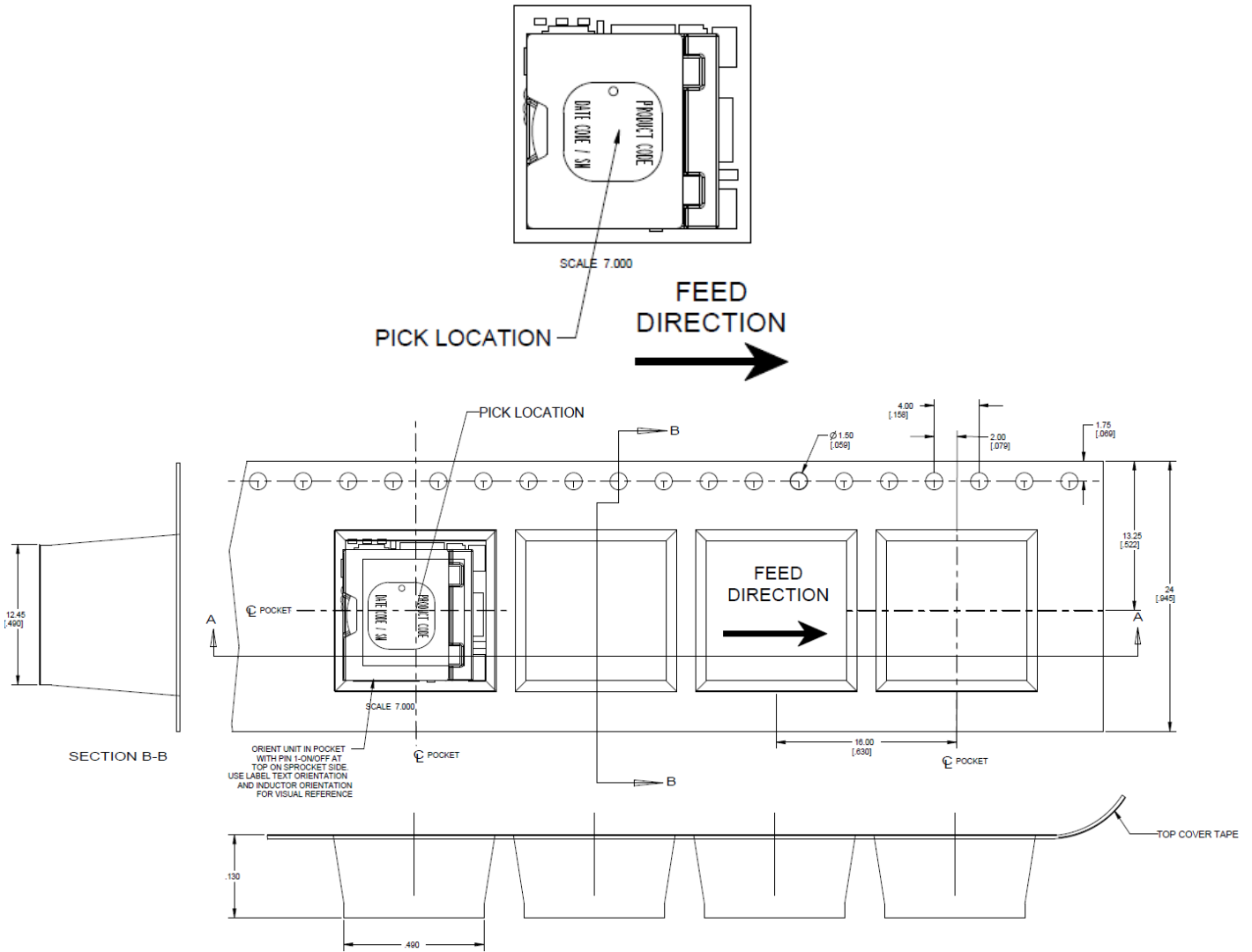
# 14A Analog PicoDLynxII™: Non-Isolated DC-DC Power Modules

4.5Vdc –14.4Vdc input; 0.6Vdc to 5.5Vdc output; 14A Output Current

## Packaging Details

The 12V Analog PicoDLynxII™ 14A modules are supplied in tape & reel as standard. Modules are shipped in quantities of 200 modules per reel.

All Dimensions are in millimeters and (in inches).



|                     |                   |
|---------------------|-------------------|
| Reel Dimensions:    |                   |
| Outside Dimensions: | 330.2 mm (13.00)  |
| Inside Dimensions:  | 177.8 mm (7.00")  |
| Tape Width:         | 24.00 mm (0.945") |

## 14A Analog PicoDLynxII™: Non-Isolated DC-DC Power Modules

4.5Vdc –14.4Vdc input; 0.6Vdc to 5.5Vdc output; 14A Output Current

### Surface Mount Information

#### Pick and Place

The 14A Analog PicoDLynxII™ modules use an open frame construction and are designed for a fully automated assembly process. The modules are fitted with a label designed to provide a large surface area for pick and place operations. The label meets all the requirements for surface mount processing, as well as safety standards, and is able to withstand reflow temperatures of up to 300°C. The label also carries product information such as product code, serial number and the location of manufacture.

#### Nozzle Recommendations

The module weight has been kept to a minimum by using open frame construction. Variables such as nozzle size, tip style, vacuum pressure and placement speed should be considered to optimize this process. The minimum recommended inside nozzle diameter for reliable operation is 3mm. The maximum nozzle outer diameter, which will safely fit within the allowable component spacing, is 7 mm.

#### Bottom Side / First Side Assembly

Only the -D version of this module can be placed at the bottom side of the customer board. No additional glue or adhesive is required to hold the module during the top side reflow process. Serial numbers with date codes starting from 19xx21xxxxxx (19 - year, 21 - week) are suitable for bottom side placement.

#### Lead Free Soldering

The modules are lead-free (Pb-free) and RoHS compliant and fully compatible in a Pb-free soldering process. Failure to observe the instructions below may result in the failure of or cause damage to the modules and can adversely affect long-term reliability.

#### Pb-free Reflow Profile

Power Systems will comply with J-STD-020 Rev. C (Moisture/Reflow Sensitivity Classification for Nonhermetic Solid State Surface Mount Devices) for both Pb-free solder profiles and MSL classification procedures. This standard provides a recommended forced-air-convection reflow profile based on the volume and thickness of the package (table 4-2). The suggested Pb-free solder paste is Sn/Ag/Cu (SAC). For questions regarding Land grid array(LGA) soldering, solder volume; please contact GE for special manufacturing process instructions. The recommended linear reflow profile using Sn/Ag/Cu solder is shown in Fig. 44. Soldering outside of the recommended profile requires testing to verify results and performance.

#### MSL Rating

The 14A Analog PicoDLynxII™ modules have a MSL rating of 2A.

#### Storage and Handling

The recommended storage environment and handling procedures for moisture-sensitive surface mount packages

is detailed in J-STD-033 Rev. A (Handling, Packing, Shipping and Use of Moisture/Reflow Sensitive Surface Mount Devices). Moisture barrier bags (MBB) with desiccant are required for MSL ratings of 2 or greater. These sealed packages should not be broken until time of use. Once the original package is broken, the floor life of the product at conditions of  $\leq 30^{\circ}\text{C}$  and 60% relative humidity varies according to the MSL rating (see J-STD-033A). The shelf life for dry packed SMT packages will be a minimum of 12 months from the bag seal date, when stored at the following conditions:  $< 40^{\circ}\text{C}$ ,  $< 90\%$  relative humidity.

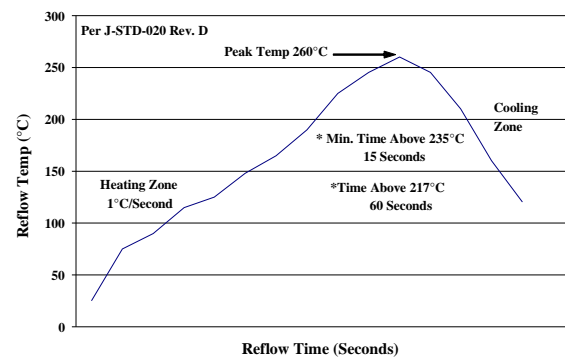


Figure 50. Recommended linear reflow profile using Sn/Ag/Cu solder.

#### Post Solder Cleaning and Drying Considerations

Post solder cleaning is usually the final circuit-board assembly process prior to electrical board testing. The result of inadequate cleaning and drying can affect both the reliability of a power module and the testability of the finished circuit-board assembly. For guidance on appropriate soldering, cleaning and drying procedures, refer to *Board Mounted Power Modules: Soldering and Cleaning* Application Note (AN04-001).

# 14A Analog PicoDLynxII™: Non-Isolated DC-DC Power Modules

4.5Vdc – 14.4Vdc input; 0.6Vdc to 5.5Vdc output; 14A Output Current

## Ordering Information

Please contact your GE Sales Representative for pricing, availability and optional features.

**Table 9. Device Codes**

| Device Code      | Input Voltage Range | Output Voltage | Output Current | On/Off Logic | Sequencing | Comcodes  |
|------------------|---------------------|----------------|----------------|--------------|------------|-----------|
| PKX014A0X3-SRZ   | 4.5 – 14.4Vdc       | 0.6 – 5.5Vdc   | 14A            | Negative     | Yes        | 150052941 |
| PKX014A0X3-SRDZ  | 4.5 – 14.4Vdc       | 0.6 – 5.5Vdc   | 14A            | Negative     | Yes        | 150052980 |
| PKX014A0X43-SRZ  | 4.5 – 14.4Vdc       | 0.6 – 5.5Vdc   | 14A            | Positive     | Yes        | 150052979 |
| PKX014A0X43-SRDZ | 4.5 – 14.4Vdc       | 0.6 – 5.5Vdc   | 14A            | Positive     | Yes        | 150052966 |

-Z refers to RoHS compliant parts

**Table 10. Coding Scheme**

| Package Identifier                   | Family  | Sequencing Option                              | Output current | Output voltage          | On/Off logic                        | Remote Sense     | Options                                  |  | ROHS Compliance |
|--------------------------------------|---|--|----------------|-------------------------|-------------------------------------|------------------|--|--|-----------------|
| <b>P</b>                             | <b>K</b>                                      | <b>X</b>                                       | <b>014A0</b>   | <b>X</b>                |                                     | <b>3</b>         | <b>-SR</b>                               |  | <b>Z</b>        |
| P=Pico<br>U=Pico<br>M=Mega<br>G=Giga | J=DLynx II Digital<br><br>K = DLynxII Analog. | T=with EZ Sequence<br><br>X=without sequencing | 14A            | X = programmable output | 4 = positive<br>No entry = negative | 3 = Remote Sense | S = Surface Mount<br><br>R = Tape & Reel | D = 40G operating shock as per MIL Std 810G and 105°C operating ambient, | Z = ROHS6       |

Ihr Vertriebspartner:



HY-LINE Power Components  
Vertriebs GmbH  
Inselkammerstr. 10  
D-82008 Unterhaching  
☎ +49 89/ 614 503 -10  
power@hy-line.de

HY-LINE AG  
Hochstrasse 355  
CH-8200 Schaffhausen  
☎ +41 52 647 42 00  
info@hy-line.ch



## Contact Us

For more information, call us at

USA/Canada:

**+1 877 546 3243**, or +1 972 244 9288

Asia-Pacific:

+86.021.54279977\*808

Europe, Middle-East and Africa:

+49.89.878067-280

[www.gecriticalpower.com](http://www.gecriticalpower.com)

GE Critical Power reserves the right to make changes to the product(s) or information contained herein without notice, and no liability is assumed as a result of their use or application. No rights under any patent accompany the sale of any such product(s) or information.