



Industrial



Test



Comm



Broadcast

## 85W, 12A Non-isolated SMT Point of Load



Features	Benefits
• DOSA Compatible Footprint	• Ideal for Second Sourcing
• Constant Switching Frequency	• Predictable EMI
• No external Loop Tuning Components Needed	• Less Board Area Needed
• Excellent Transient response	• For Sensitive Applications

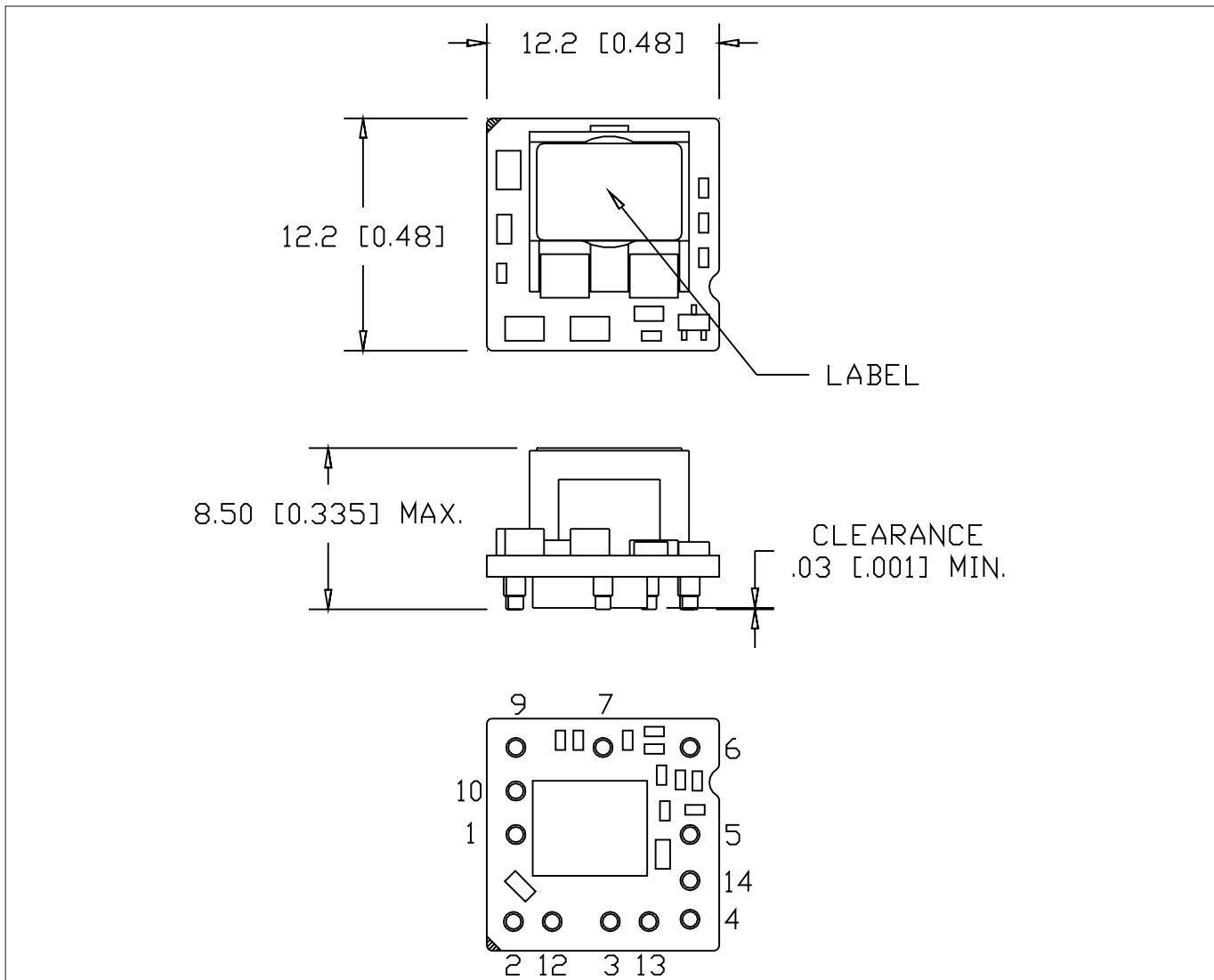
Specification		
Model		iCH
DC Output Voltage	V	0.7 - 8.5
DC Input Voltage	V	4.5 - 14
Efficiency	%	88.5 - 97
Output Voltage Tolerance	%	±3
Switching Frequency	kHz	500
Line Regulation	mV	5
Load Regulation	mV	6
External Load Capacitance	uF	200 - 2000
Output Ripple and Noise	mVpp	15
Overcurrent Protection	A	22A typical
Remote On / Off	-	Positive Logic (For Negative Logic Contact Factory)
Remote Sense	-	(+) Sense, compensating up to 0.5V
Power Good	-	Yes, Low on fail
Operating Temperature	°C	-40°C to 115°C (see thermal data on website)
Storage Temperature	°C	-55°C to 125°C
Safety Agency Approvals	-	IEC/UL/CSA/EN62368-1, 60950-1, CE Mark
Weight	g / oz	2.5g / 0.088 oz
Size (LxWxH)	mm	12.2 x 12.2 x 8.5
Warranty	yrs	3

## Model Selector

Input Model	Input Voltage (V)	Output Current (A)	Output Voltage (V)	Positive Logic On/Off	Negative Logic On/Off
iCH12012A007V-007-R	4.5 - 14	12	0.7 - 8.5	-	yes
iCH12012A007V-006-R	4.5 - 14	12	0.7 - 8.5	yes	-

Preferred

## Outline Drawing iCH Series



## Pin Assignment

PIN	Function	PIN	Function
1	ON / OFF	8	Not Fitted
2	VIN	9	Not Connected
3	GND	10	PWR GOOD
4	VOUT	11	Not Fitted
5	SENSE (+)	12	VIN
6	TRIM	13	GND
7	GND	14	VOUT



## TDK-Lambda France SAS

3 Avenue du Canada  
Parc Technopolis  
Bâtiment Sigma  
91940 les Ulis  
France  
Tel: +33 1 60 12 71 65  
Fax: +33 1 60 12 71 66  
france@fr.tdk-lambda.com  
www.emea.lambda.tdk.com/fr



## Italy Sales Office

Via Giacomo Matteotti 62  
20092 Cinisello Balsamo (MI)  
Italy  
Tel: +39 02 61 29 38 63  
Fax: +39 02 61 29 09 00  
info.italia@it.tdk-lambda.com  
www.emea.lambda.tdk.com/it



## Netherlands

info@nl.tdk-lambda.com  
www.emea.lambda.tdk.com/nl



## TDK-Lambda Germany GmbH

Karl-Bold-Strasse 40  
77855 Achern  
Germany  
Tel: +49 7841 666 0  
Fax: +49 7841 5000  
info.germany@de.tdk-lambda.com  
www.emea.lambda.tdk.com/de



## Austria Sales Office

Aredstrasse 22  
2544 Leobersdorf  
Austria  
Tel: +43 2256 655 84  
Fax: +43 2256 645 12  
info@at.tdk-lambda.com  
www.emea.lambda.tdk.com/at



## Switzerland Sales Office

Eichtalstrasse 55  
8634 Hombrechtikon  
Switzerland  
Tel: +41 44 850 53 53  
Fax: +41 44 850 53 50  
info@ch.tdk-lambda.com  
www.emea.lambda.tdk.com/ch



## Nordic Sales Office

Haderslevvej 36B  
DK-6000 Kolding  
Denmark  
Tel: +45 8853 8086  
info@dk.tdk-lambda.com  
www.emea.lambda.tdk.com/dk



## TDK-Lambda UK Ltd.

Kingsley Avenue  
Ilfracombe  
Devon EX34 8ES  
United Kingdom  
Tel: +44 (0) 12 71 85 66 66  
Fax: +44 (0) 12 71 86 48 94  
info@uk.tdk-lambda.com  
www.emea.lambda.tdk.com/uk



## TDK-Lambda Ltd.

1 Alexander Yanai  
Segula  
Petah-Tikva  
Israel  
Tel: +9 723 902 4333  
Fax: +9 723 902 4777  
info@tdk-lambda.co.il  
www.emea.lambda.tdk.com/il



## C.I.S.

### Commercial Support:

Tel: +7 (495) 665 2627

### Technical Support:

Tel: +7 (812) 658 0463

info@tdk-lambda.ru

www.emea.lambda.tdk.com/ru

## Local Distribution

Ihr Vertriebspartner:



HY-LINE Power Components  
Vertriebs GmbH  
Inselkammerstr. 10  
D-82008 Unterhaching  
☎ +49 89/ 614 503 -10  
power@hy-line.de

HY-LINE AG  
Hochstrasse 355  
CH-8200 Schaffhausen  
☎ +41 52 647 42 00  
info@hy-line.ch