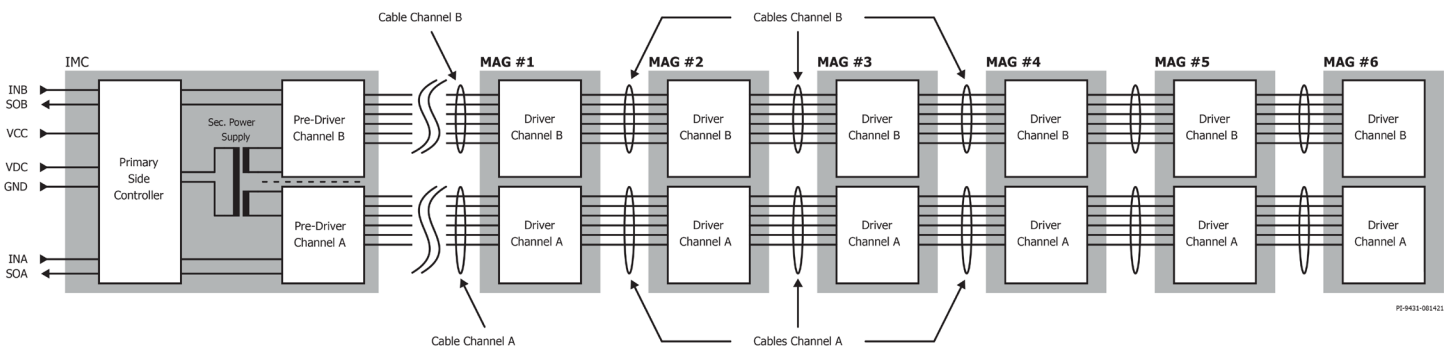




SCALE-iFlex™ LT

- $\geq 20\%$ higher converter power using the same hardware
- Optimized for symmetrical paralleling
- Advanced Active Clamping (AAC) allows higher DC link voltages
- Lower switching losses increase efficiency
- Integrated booster stage provides higher di/dt

Isolated Master Control (IMC) and Module Adapted Gate Driver (MAG) for up to 1700 V Half-Bridge Power Modules



Applications

- Wind converters and other renewables
- Commercial air conditioners
- Power quality
- Medium-voltage drives

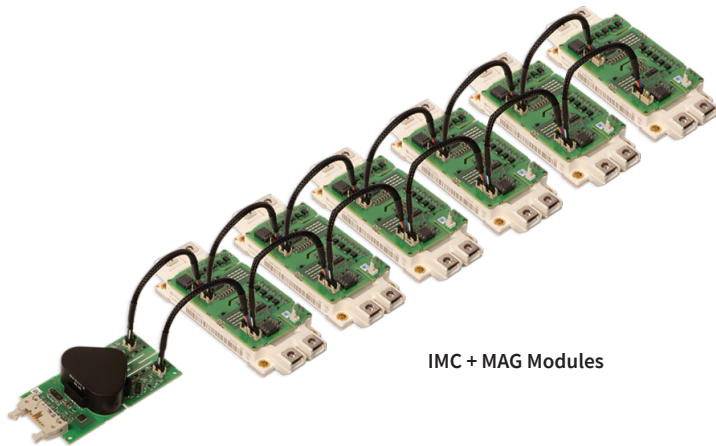
Output Power

Isolated Master Control

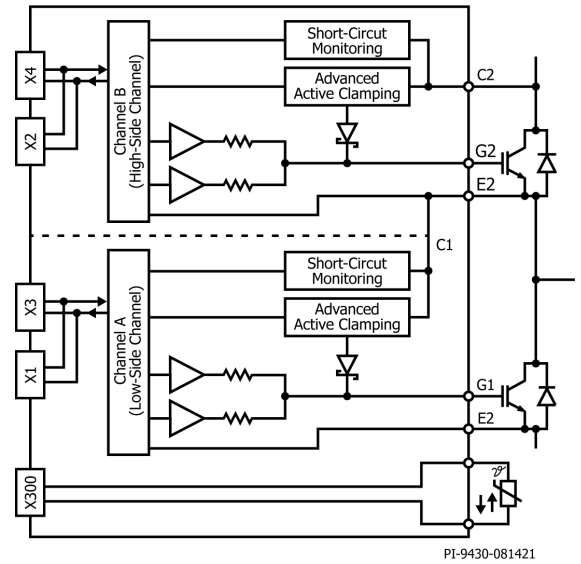
Part Number	Power Module	Voltage Class	Current Class	Package	Power Device Supplier
2SIL1200T2A0-17	N.N.	1700 V	N.N.	N.N.	N.N.

Module Adapted Gate Driver

Part Number	Power Module	Voltage Class	Current Class	Package	Power Device Supplier
2SML0220D2E0-XXXX	FF600R17ME4	1700 V	600 A	EconoDUAL	Infineon



IMC + MAG Modules



Design Support

Data Sheet SCALE-iFlex LT data sheet (www.power.com/scale-iflex-lt-data-sheet)

Video An introduction to SCALE-iFlex LT (www.power.com/scale-iflex-lt-video)

Ihr Vertriebspartner:

HY-LINE
hy-line.de
LEADER IN TECHNOLOGY.

HY-LINE Power Components
Vertriebs GmbH
Inselkammerstr. 10
D-82008 Unterhaching
☎ +49 89/ 614 503 -10
power@hy-line.de

HY-LINE AG
Hochstrasse 355
CH-8200 Schaffhausen
☎ +41 52 647 42 00
info@hy-line.ch