



This unit is an HDMI over IP Transmitter that allows you to extend HDMI signals using the TCP/IP protocol over regular Cat.5e network cable. This extender supports the transmission of High-Definition signals (up to 1080p@60Hz) with audio up to 100m on a single cable. The transmission distance can be further extended (up to 100m per segment) by using Gigabit Ethernet network switches, allowing the user to cascade the system without signal loss or introducing delay. This Transmitter also features bi-directional IR and RS-232 pass-through.

It is also possible to for this Transmitter to operate in multicast mode, allowing you to send a single AV signal to a large number of Receivers within the same local network with no additional bandwidth cost. Additionally, that same multicast signal can be used to create large multi-display video walls with amazing simplicity.

This Video over IP system is perfect for both residential and commercial installation environments. Configuration information is provided via the On-Screen Display (OSD) on connected (but unlinked) Receivers and control is via WebGUI, Telnet, or the AV over IP Master Controller.

PANELS

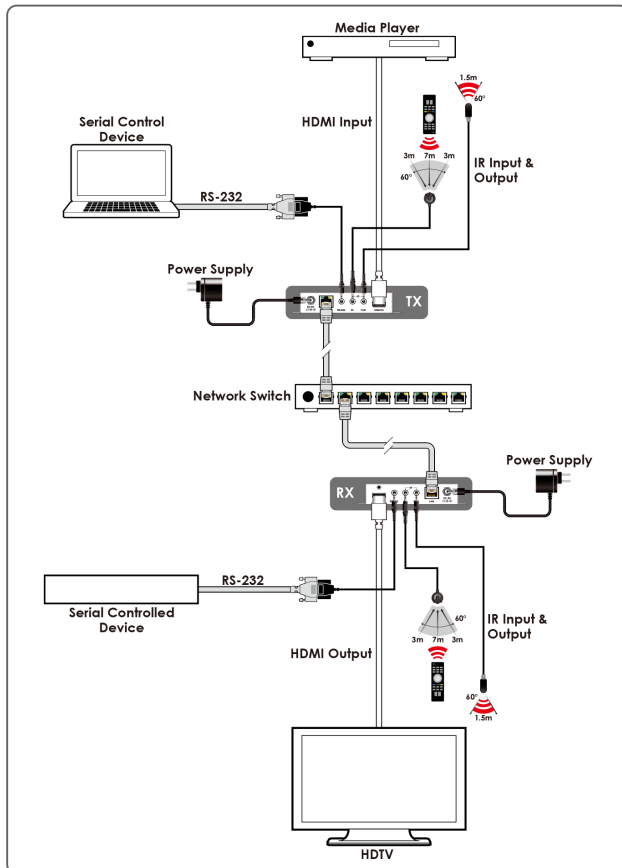


Front View



Rear View

DIAGRAM



FEATURES

- Video, audio and control transmission over TCP/IP in Unicast (point-to-point) or Multicast (single-to-many, many-to-many) modes
- Multi-monitor video wall support with 180° and 270° rotation options
- HDMI input supports resolutions up to 1080p@60Hz/WUXGA
- Supports pass-through of audio formats including LPCM 2.0/5.1/7.1, Bitstream and HD Bitstream
- Supports IR and RS-232 bypass

SPECIFICATIONS

Interfaces

Input Port	1 HDMI
Bi-directional Port	1 GbE LAN (RJ-45)
Control I/O	1 IR Extender (3.5mm) 1 IR Blaster (3.5mm) 1 RS-232 (3.5mm)

Video

HDMI Compliance	HDMI 1.4 (DVI 1.0)
HDCP Compliance	1.4
Input Signal Type	1080p 12bit RGB

	Resolutions	
Maximum Input	HDMI	1920×1080p@60 1920×1200p@60RB
Maximum Output	LAN Streaming	1920×1080p@60 1920×1200p@60RB

Audio

HDMI	LPCM (8 Channels), Bitstream, HD Bitstream
-------------	--

Power

Power Supply	5V/2.6A DC (Locking)
Power Consumption	5.17W

Enclosure

Chassis Material	Metal (Steel)
Chassis Color	Black
Dimensions (W×H×D)	128mm×25mm×108mm [Case Only] 128mm×25mm×116mm [All Inclusive]
Weight	364g

Field Firmware Update

WebGUI

ORDERING INFORMATION

Model No.	Product Description
CH-331H-TX	HDMI over IP Transmitter
CH-331H-RX	HDMI over IP Receiver
CDPS-CS7	AV over IP Master Controller