

CH-1602TX

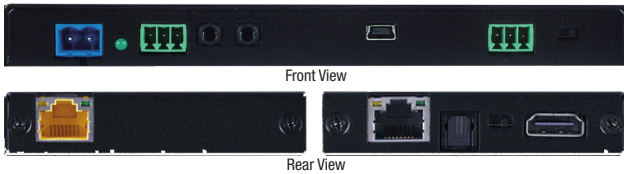
HDMI over HDBaseT Transmitter with Optical Audio Return (OAR)



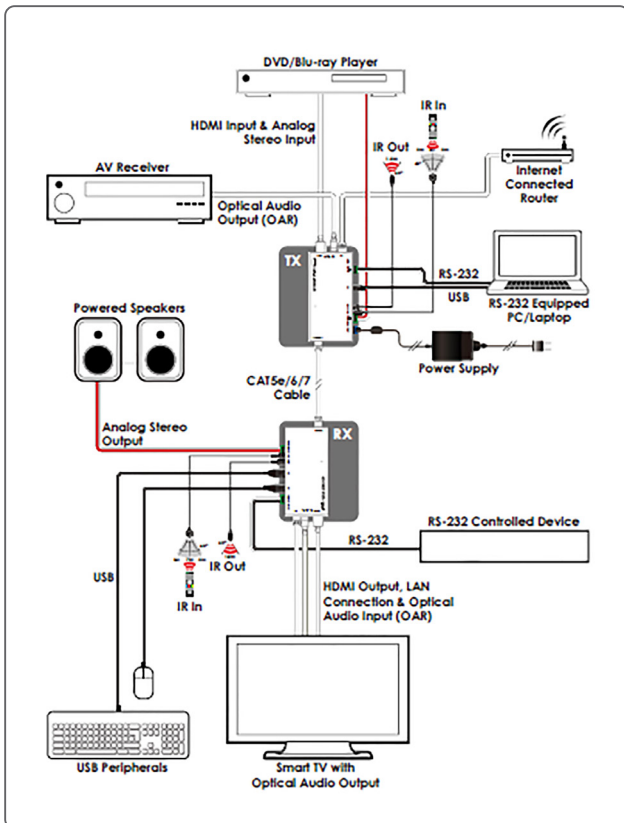
This HDBaseT 2.0 Transmitter and Receiver set can send uncompressed UHD video and audio over a single Cat.5e/6/7 cable up to 100m. It has the added benefit of extending control and communication signals through the built-in Ethernet, USB, RS-232 and IR ports. Independent external digital and analog audio transmission capability gives users the extra convenience of additional audio connections.

This system supports connecting any standard USB 2.0 host to the Transmitter, enabling the extension of the USB connection to up to 2 USB ports located on the Receiver, allowing it to act like a USB hub. The integrated 48V PoH (Power over HDBaseT) support provides power to the Receiver (PD) from the Transmitter (PSE), eliminating the need for a separate power supply for the Receiver. The ultra-thin mechanical design allows for flexibility in mounting locations, saving space and making your presentation space orderly and tidy.

PANELS



DIAGRAM



FEATURES

- Supports the HDBaseT 2.0 specification over a single Cat.6/7 cable up to 100m/328ft and Cat.5e cable up to 90m/295ft
- HDBaseT 5Play™ convergence: High-Definition (HD) Video and Audio, 100BaseT Ethernet, 48V PoH, and Control (Bi-directional IR/ RS-232 pass-through)
- Receiver (PD) is powered by 48V PoH from the transmitter (PSE)
- HDMI with 3D & 4K@60Hz (YUV 4:2:0) support
- 1×USB 2.0 Mini-B port (on the transmitter), 2×USB 2.0 Type A ports (on the receiver)
- Supports pass-through of HD audio formats: LPCM 2.0/5.1/7.1, Bitstream, and HD Bitstream
- Supports optical audio sampling rates up to 48kHz
- Supports external analog and digital audio extension including support for ARC (Audio Return Channel)
- Supports RS-232 baud up to 115200bps
- Ultra-thin mechanical design

SPECIFICATIONS

Interfaces

Input Port	1 HDMI (Type-A) 1 USB 2.0 (Mini-B) 1 Stereo Audio (Terminal Block) 1 LAN (RJ45) 1 IR Extender (3.5mm) 1 RS-232 (Terminal Block)
-------------------	--

Output Port	1 HDBaseT(RJ-45) 1 Optical Audio (TOSLINK) 1 IR Blaster (3.5mm)
--------------------	---

Video

HDMI Compliance	HDMI 1.4 (DVI 1.0)
HDCP Compliance	2.x
Input Signal Type	4K@60 YUV 4:2:0
Output Signal Type	4K@60 YUV 4:2:0

Resolutions

Maximum Input	HDMI	4096x2160p@60 YUV 4:2:0
Maximum Output	HDBaseT	4096x2160p@60 YUV 4:2:0

Power

Power Supply	48V/0.83A DC (US/EU standards, CE/FCC/UL certified)
Power Consumption	16.72W

Enclosure

Chassis Material	Aluminum
Chassis Color	Black
Dimensions (W×H×D)	180mm×16mm×80mm [Case Only] 180mm×16mm×80mm [All Inclusive]
Weight	354g

Field Firmware Update

PC

ORDERING INFORMATION

Model No. Product Description

CH-1602TX HDMI over HDBaseT Transmitter with Optical Audio Return (OAR)

CH-1602RX HDMI over HDBaseT Receiver with Optical Audio Return (OAR)