



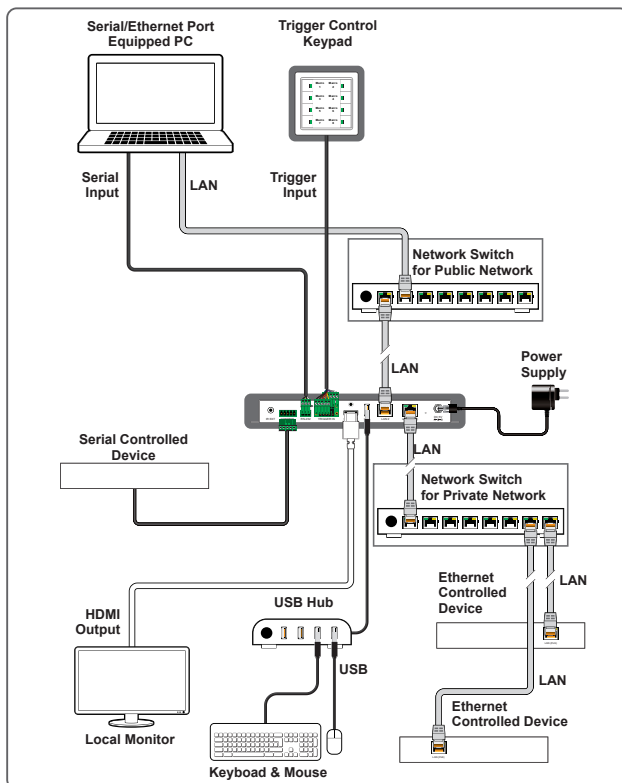
The Universal Device Controller is a powerful and flexible solution for controlling a wide range of controllable equipment within same local network. With this unit connected to the local network, natively supported devices can be automatically detected, monitored, and controlled via a convenient unified WebGUI interface with the ability to manually add control functionality for 3rd party devices as well. Devices can be assigned, as desired, across multiple rooms with individually defined usage scenarios, with automation events, in each room. Additionally, this unit supports individual scenario configuration scripts and provides a comprehensive, visually structured, automation event editor to assist installers in building their imagined event space. The powerful automation event editor supports scheduling, physical trigger activation, device monitoring and direct device polling to control the actions of devices. It's the ideal central control unit for conference rooms or large event venues!

The unit's WebGUI can be accessed remotely via a standard web browser, or it can be controlled locally by connecting the unit to an HDMI display with a USB mouse and keyboard. Naturally, it can also be connected to an HDMI touchscreen for a sophisticated and user friendly control option. For when a simpler, and more compact, direct control option is needed, a trigger input interface has been provided. This allow the easy addition of a remote control keypad, or other trigger-supporting product, which can be installed within a podium or within a table in a conference room or classroom. Standard control is available via WebGUI (remote or local), RS-232, Telnet, and triggers.

### PANELS



### DIAGRAM



### FEATURES

- HDMI output displays the WebGUI and system status
- Enables the management, configuration, and control of all detected compatible devices through a single WebGUI
- WebGUI provides a detailed dashboard and control interface for controlling and monitoring compatible devices
- Automatic discovery of compatible devices within the local network
- Supports multiple simultaneous customized room configurations with multiple user definable scenarios per room for easy large venue device management
- Supports creation of highly flexible, per-scenario, device automation tasks
- Supports the use of a USB mouse and keyboard to locally control the WebGUI (Optional)
- Can be powered by Ethernet switches supporting the IEEE 802.3af 2003 PoE standard (Optional)
- Trigger Control Keypad support for easy, single-button, automation task activation (Optional)
- Standard control is available via WebGUI (remote or local), RS-232, and Telnet

### SPECIFICATIONS

#### Interfaces

<b>Output Port</b>	1 HDMI (Type A)
<b>Control I/O</b>	2 LAN (RJ-45) 8 Trigger(10-pin terminal block) 1 USB (Type A)
<b>Reserved Port</b>	1 RS-232 (5-pin Terminal Block)

#### Video

<b>HDMI Compliance</b>	HDMI 1.4
<b>Output Signal Type</b>	1920×1080p@60

#### Resolutions

<b>Maximum Input</b>		
<b>Maximum Output</b>	HDMI	1920×1080p@60

#### Power

<b>Power Supply</b>	5V/2.6A DC (Locking)
<b>Power Consumption</b>	7.35W

#### Enclosure

<b>Chassis Material</b>	Metal (Steel)
<b>Chassis Color</b>	Black
<b>Dimensions (W×H×D)</b>	231.5mm×25mm×108mm [Case Only] 231.5mm×25mm×117mm [All Inclusive]
<b>Weight</b>	250g

#### Field Firmware Update

#### WebGUI

### ORDERING INFORMATION

<b>Model No.</b>	Product Description
<b>CDPS-CS9</b>	CDPS-CS9 Universal Device Controller