



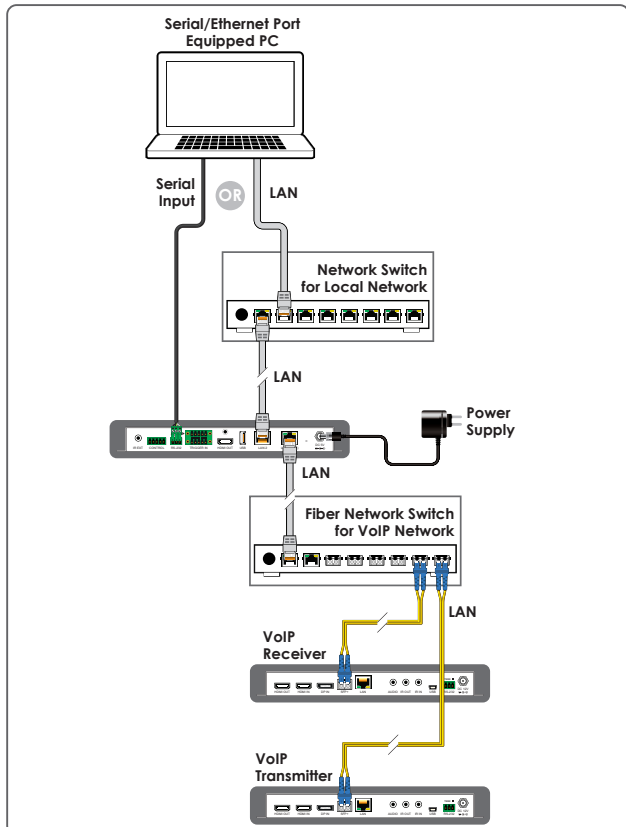
This controller is a powerful and flexible solution for controlling multiple VoIP (Video over IP) extenders within same network. The user only needs to install this unit into the same local network as the extenders (Transmitter and Receiver) to easily define and configure channel routing selections using the WebGUI. It is also possible to define and switch routes using customized groups or presets allowing for easy control over multiple video zones. Without the use of this controller, each individual Transmitter and Receiver pair could only be configured in a basic point-to-point operational mode.

Additionally, this unit supports controlling the matrix, video wall, and multi-viewer modes of connected VoIP units. The settings of all connected Transmitter/Receiver units, including IP address, netmask and extender status are clearly displayed within the WebGUI. The WebGUI is easily accessed via a web browser over a normal network connection or by directly connecting an HDMI display and USB keyboard & mouse to the unit. A trigger input interface is also provided to allow the easy addition of a remote control keypad, or other trigger-supporting products, which can be installed within a podium or within a table in a conference room or classroom. This interface can allow the user to activate stored presets with the simple press of a button. Standard control is available via WebGUI (remote or local), RS-232, Telnet, IR Remote and triggers.

PANELS



DIAGRAM



FEATURES

- Enables the management and configuration of multiple compatible VoIP (Video over IP) extenders through a single WebGUI
- Control over matrix, video wall, and multi-viewer modes using WebGUI presets
- Definable display groups
- WebGUI clearly displays the status of all connected Transmitters and Receivers, including IP address, channel selection, etc.
- HDMI output displays the WebGUI and system status
- Dual LAN ports enable control over VoIP installations that reside on a logically or physically separate network from the standard local network
- Supports the use of a USB mouse and keyboard to locally control the WebGUI (Optional)
- Can be powered directly by Power over Ethernet (PoE) when connected to an Ethernet switch that follows the 802.3af PoE standard (Optional)
- Trigger Control Keypad support for easy, single-button, preset activation (Optional)

SPECIFICATIONS

Interfaces	
Output Port	1 HDMI (Type-A)
Control I/O	1 IR Extender (3.5mm) 1 RS-232 (3-pin Terminal Block) 8 Trigger (10-pin Terminal Block) 1 USB (Type-A) 2 LAN (RJ-45)
Reserved Port	1 RS-232 (5-pin Terminal Block)

Video		
Output Signal Type	HDMI 1.4	1080p60
Resolutions		
Maximum Output	HDMI	1920x1080p@60

Power	
Power Supply	5V/2.6A DC (Locking)
Power Consumption	2.99W

Enclosure	
Chassis Material	Metal (Steel)
Chassis Color	Black
Dimensions (W×H×D)	231.5mm×25mm×108mm [Case Only] 231.5mm×25mm×117mm [All Inclusive]
Weight	250g

Field Firmware Update
USB Flash Drive, WebGUI

ORDERING INFORMATION

Model No.	Product Description
CDPS-CS7-S	AV over IP Master Controller
COH-TX5	HDMI/DP over IP Transmitter with KVM Extension
COH-RX5	HDMI over IP Receiver with KVM Extension
COH-TR6	HDMI/DP over IP Transceiver
COH-TR7	HDMI/DP over IP Transceiver with KVM Extension
CH-V501TR	HDMI over IP Transceiver
CH-V502TR	HDMI over IP Transceiver with KVM Extension