

# DisplayPort 1.2 Data Recovery Repeater, DPAX



## Descriptions

New DisplayPort 1.2 Repeater, **DPAX** is designed compact enough to be fitted into various installation environments with DisplayPort cables. DPAX enables to transmit 4K UHD(3840x2160) signals up to combined length of 18m (59feet) over Premium grade DisplayPort cable without any data compression or scaling.

## Related Products

- DPFX-200-TR : DisplayPort 1.2 fiber-optic Extender
- DPFX-100-TR : DisplayPort 1.1 fiber-optic Extender
- M1-5000-xx : DisplayPort 1.1 Hybrid Optical Cable

## Applications

- Digital Signage
- Medical imaging
- Control room
- Any DisplayPort display applications

## Key Features

- Complies with **DisplayPort 1.2 standards**
- Supports Ultra High Definition(**up to 3840x2160**) at 60Hz
- Offers **Data Recovery function**
- Transmits DisplayPort 1.2 data up to 18m (59feet) over Premium grade DisplayPort cable.  
**3m(10ft) from the Source / 15m(49ft) to the Display at DP 1.2**  
**5m(16ft) from the Source / 20m(65ft) to the Display at DP 1.1**
- Offers total data rate 21.6Gbps (5.4Gbps per lane)
- Supports auxiliary channel, MST Function
- Supports much longer extension through daisy-chain connection.
- Designed so that a compatibility could go well with the optical DisplayPort extender DPFX-200, DPFX-100 etc.
- Operated by USB power or DC power supplying adaptor
- Dimensions (WDH): 39.5 x 50 x 13mm

Vertrieb durch / Distribution by

**HY-LINE**<sup>®</sup>  
COMPUTER COMPONENTS

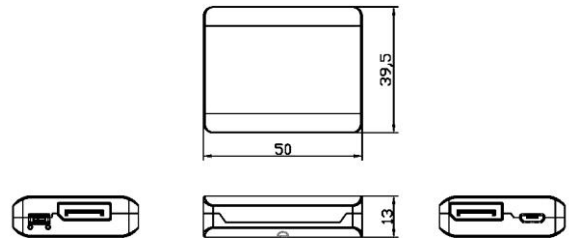
Inselkammerstr. 10  
D-82008 Unterhaching  
Tel.: +49 89 614 503 40  
www.hy-line.de

# DisplayPort 1.2 Data Recovery Repeater, DPAX

## Technical Features

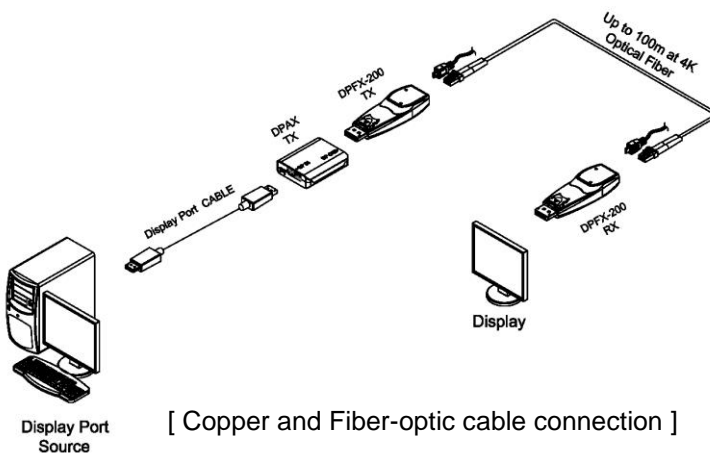
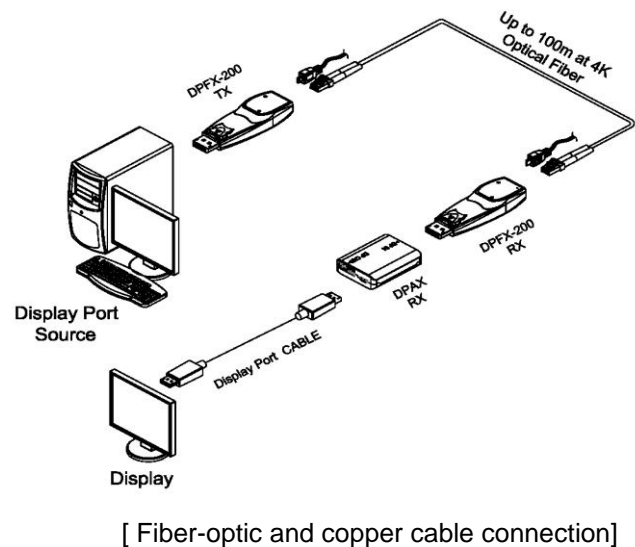
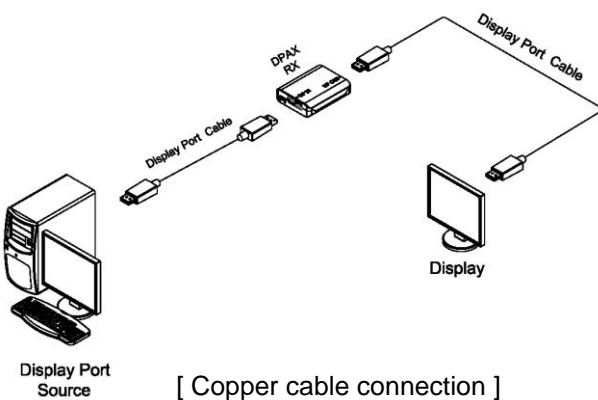
Resolution	Up to 4K UHD(3840x2160) at 60Hz
Maximum Data rate	21.6Gbps (5.4Gbps per lane) (RBR, HBR, HBR2)
Distance info.	3m from the Source / 15m to the Display at DP 1.2 5m from the Source / 20m to the Display at DP 1.1
Power supplying	USB power or external 5V/1A DC power
LED Indicators	Blue LED Tx / Rx Switching status LED
Dimensions (WDH)	39.5 x 50 x 13mm
Operating temperature	0 ~ 50°C

## Dimensions [Unit: mm]



Dimensions: 39.5 x 50 x 13mm

## Connection Diagram



### OPTICIS HQ

Opticis Co., Ltd.  
 # 16Fl, Kins Tower Jeongja 331,  
 8 Sungnam-daero, Bundang-gu  
 Sungnam-si, Gyunggi-do, 13558  
 South Korea  
 Tel: +82 (31) 719-8033  
 Fax: +82 (31) 719-8032  
[www.opticis.com](http://www.opticis.com)  
[tosales@opticis.com](mailto:tosales@opticis.com)