

TFT-DISPLAY DATASHEET

LG Display Model: LD550EUN-UHB1

BRIEF SPEC.:

Main Feature

Wide Viewing Angle
High Color Gamut

| | |
|-----------------------|-----------------------------|
| Active Screen Area | 1209.6 x 680.4 |
| Diagonal Format | 55" 16:9 |
| Resolution | 1920 X 1080 |
| Colors | 10Bit 1.07 B colors |
| Backlight | LED |
| Brightness | 500 cd/m ² |
| LED Life Time | 60K(h) |
| Interface | LVDS |
| Viewing Angle | 89/89 L/R 89/89 |
| Touchscreen | no |
| Power Supply | 12 V |
| Module Outline | 1227.4 x 698.2 x 12.7 (mm) |
| Operation Temperature | 0 ... +50 °C |
| Storage Temperature | -20... +60 °C |
| Surface Treatment | Hard-Coating 3H, Anti-Glare |

SPECIFICATION FOR APPROVAL

Preliminary Specification

Final Specification

| | |
|-------|---------------------|
| Title | 55.0" WUXGA TFT LCD |
|-------|---------------------|

| | |
|-------|---------|
| BUYER | Hy-Line |
| MODEL | |

| | |
|----------|----------------------|
| SUPPLIER | LG Display Co., Ltd. |
| *MODEL | LD550EUN |
| SUFFIX | UHB1 (RoHS Verified) |

| APPROVED BY | SIGNATURE DATE |
|-------------|-------------------|
| / | |
| / | |
| / | |

Please return 1 copy for your confirmation with your signature and comments.

| | |
|---|------------------------------------|
| APPROVED BY H. S. Song / Team Leader | SIGNATURE DATE _____ |
| REVIEWED BY J.B. Chun / Project Leader | |
| PREPARED BY J. Y. Jeon / Engineer | |

Commercial Product Design Dept.
LG Display Co., Ltd

Product Specification

CONTENTS

| Number | ITEM | Page |
|--------|---|------|
| | COVER | 1 |
| | CONTENTS | 2 |
| | RECORD OF REVISIONS | 3 |
| 1 | GENERAL DESCRIPTION | 4 |
| 2 | ABSOLUTE MAXIMUM RATINGS | 5 |
| 3 | ELECTRICAL SPECIFICATIONS | 6 |
| 3-1 | ELECTRICAL CHARACTERISTICS | 6 |
| 3-2 | INTERFACE CONNECTIONS | 8 |
| 3-3 | SIGNAL TIMING SPECIFICATIONS | 10 |
| 3-4 | SIGNAL TIMING WAVEFORMS | 12 |
| 3-5 | COLOR DATA REFERENCE | 15 |
| 3-6 | POWER SEQUENCE | 16 |
| 4 | OPTICAL SPECIFICATIONS | 18 |
| 5 | MECHANICAL CHARACTERISTICS | 22 |
| 6 | RELIABILITY | 25 |
| 7 | INTERNATIONAL STANDARDS | 26 |
| 7-1 | SAFETY | 26 |
| 7-2 | ENVIRONMENT | 26 |
| 8 | PACKING | 27 |
| 8-1 | Information of LCM Label | 27 |
| 8-2 | PACKING FORM | 27 |
| 9 | PRECAUTIONS | 28 |
| 9-1 | MOUNTING PRECAUTIONS | 28 |
| 9-2 | OPERATING PRECAUTIONS | 28 |
| 9-3 | ELECTROSTATIC DISCHARGE CONTROL | 29 |
| 9-4 | PRECAUTIONS FOR STRONG LIGHT EXPOSURE | 29 |
| 9-5 | STORAGE | 29 |
| 9-6 | APPROPRATE CONDITION FOR COMMERCIAL DISPLAY | 29 |
| 9-7 | HANDLING PRECAUTION FOR PROTECTION FILM | 30 |

Product Specification

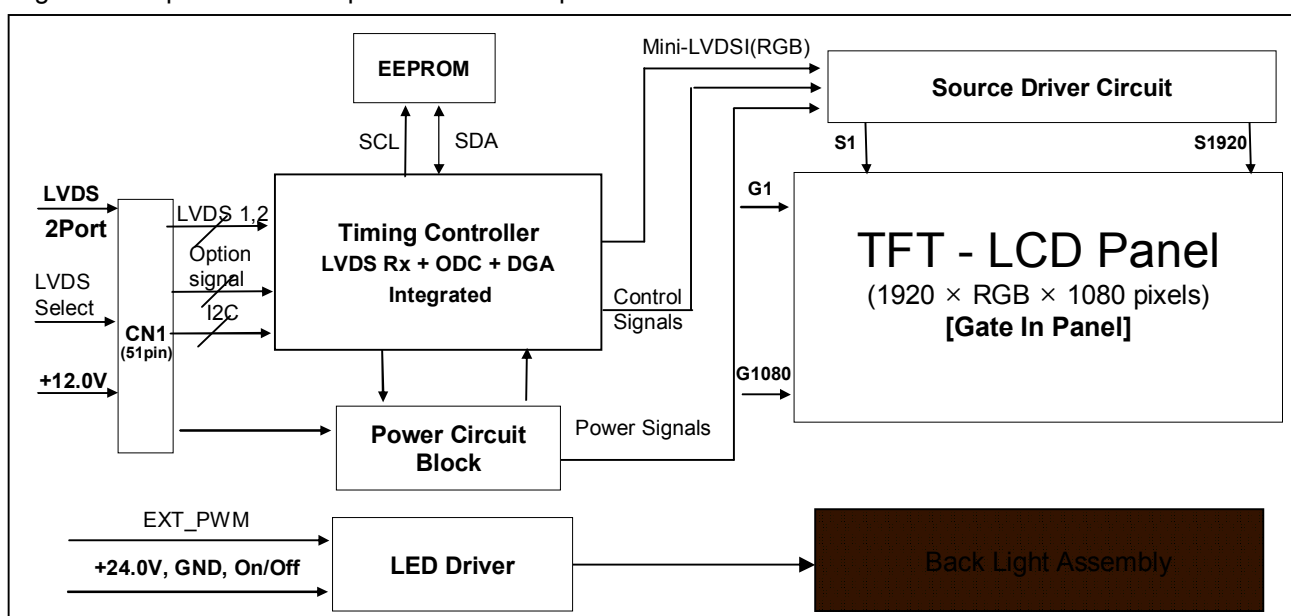
1. General Description

The LD550EUN is a Color Active Matrix Liquid Crystal Display with an integral Light Emitting Diode (LED) backlight system. The matrix employs a-Si Thin Film Transistor as the active element.

It is a transmissive display type which is operating in the normally black mode. It has a 54.64 inch diagonally measured active display area with WUXGA resolution (1080 vertical by 1920 horizontal pixel array). Each pixel is divided into Red, Green and Blue sub-pixels or dots which are arrayed in vertical stripes. Gray scale or the luminance of the sub-pixel color is determined with a 10-bit gray scale signal for each dot. Therefore, it can present a palette of more than 1.07Billion colors.

It has been designed to apply the 10-bit 2-port LVDS interface.

It is intended to support Commercial Display where high brightness, super wide viewing angle, high color gamut, high color depth and fast response time are important.



General Features

| | |
|-----------------------|--|
| Active Screen Size | 54.64 inches(1387.80mm) diagonal |
| Outline Dimension | 1227.4(H) × 698.2(V) × 12.7(B) / 31.2(V) mm (Typ.) |
| Pixel Pitch | 0.630 mm x 0.630 mm |
| Pixel Format | 1920 horiz. by 1080 vert. Pixels, RGB stripe arrangement |
| Color Depth | 10bit(D), 1.07 Billion colors |
| Luminance, White | 500 cd/m ² (Center 1point ,Typ.) |
| Viewing Angle (CR>10) | Viewing angle free (R/L 178 (Min.), U/D 178 (Min.)) |
| Power Consumption | Total 113.8W (Typ.) [Logic= 9.1W, LED Driver=104.7W(ExtVbr_B=100%)] |
| Weight | 16.5Kg |
| Display Mode | Transmissive mode, Normally black |
| Surface Treatment | Hard coating(3H), Anti-glare treatment of the front polarizer (Haze 10%) |
| Possible Display Type | Landscape and Portrait Enabled |

Product Specification

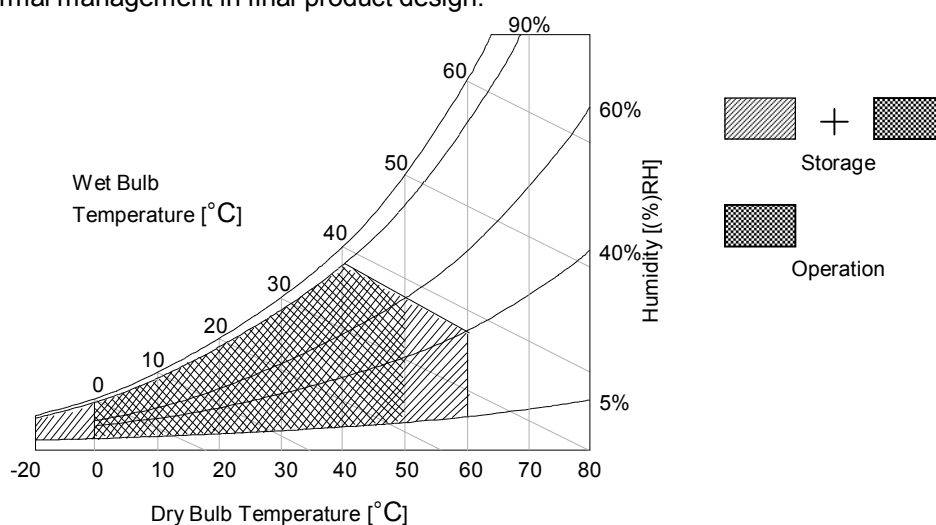
2. Absolute Maximum Ratings

The following items are maximum values which, if exceeded, may cause faulty operation or permanent damage to the LCD module.

Table 1. ABSOLUTE MAXIMUM RATINGS

| Parameter | | Symbol | Value | | Unit | Note | |
|--------------------------------|-------------|------------------------------------|-------|--------|------|------|-----|
| | | | Min | Max | | | |
| Power Input Voltage | LCD Circuit | VLCD | -0.3 | +14.0 | VDC | 1 | |
| | Driver | VBL | -0.3 | + 27.0 | VDC | | |
| Driver Control Voltage | ON/OFF | V _{OFF} / V _{ON} | -0.3 | +3.9 | VDC | | |
| | Brightness | EXTV _{BR-B} | -0.3 | +5.5 | VDC | | |
| T-Con Option Selection Voltage | | V _{LOGIC} | -0.3 | +4.0 | VDC | | |
| Operating Temperature | | T _{OP} | 0 | +50 | °C | | 2,3 |
| Storage Temperature | | T _{ST} | -20 | +60 | °C | | |
| Panel Front Temperature | | T _{SUR} | - | +68 | °C | | 4 |
| Operating Ambient Humidity | | H _{OP} | 10 | 90 | %RH | 2,3 | |
| Storage Humidity | | H _{ST} | 5 | 90 | %RH | | |

- Notes
1. Ambient temperature condition ($T_a = 25 \pm 2 \text{ }^\circ\text{C}$)
 2. Temperature and relative humidity range are shown in the figure below.
Wet bulb temperature should be Max 39°C, and no condensation of water.
 3. Gravity mura can be guaranteed below 40°C condition.
 4. The maximum operating temperatures is based on the test condition that the surface temperature of display area is less than or equal to 68°C with LCD module alone in a temperature controlled chamber. Thermal management should be considered in final product design to prevent the surface temperature of display area from being over 68°C. The range of operating temperature may be degraded in case of improper thermal management in final product design.



Product Specification

3. Electrical Specifications

3-1. Electrical Characteristics

It requires two power inputs. One is employed to power for the LCD circuit. The other is used for the LED backlight and LED Driver circuit.

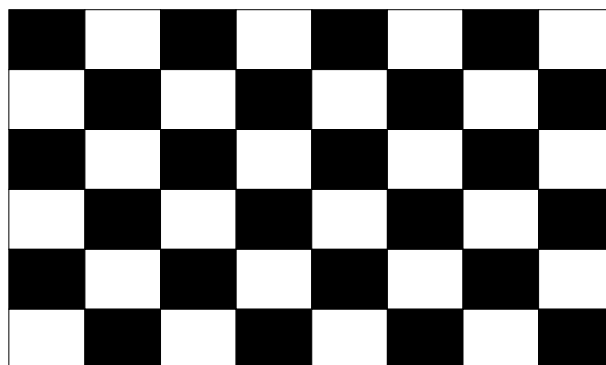
Table 2. ELECTRICAL CHARACTERISTICS

| Parameter | Symbol | Value | | | Unit | Note |
|---------------------|-------------------|-------|------|------|-----------------|------|
| | | Min | Typ | Max | | |
| Circuit : | | | | | | |
| Power Input Voltage | V _{LCD} | 10.8 | 12.0 | 13.2 | V _{DC} | 5 |
| Power Input Current | I _{LCD} | - | 755 | 982 | mA | 1 |
| | | - | 1076 | 1399 | mA | 2 |
| Power Consumption | P _{LCD} | - | 9.1 | 11.8 | Watt | 1 |
| Rush current | I _{RUSH} | - | - | 8.0 | A | 3 |

Notes

1. The specified current and power consumption are under the $V_{LCD}=12.0V$, $T_a=25 \pm 2^\circ C$, $f_v=60Hz$ condition, and mosaic pattern(8 x 6) is displayed and f_v is the frame frequency.
2. The current is specified at the maximum current pattern.
3. The duration of rush current is about 2ms and rising time of power input is 0.5ms (min.).
4. Ripple voltage level is recommended under $\pm 5\%$ of typical voltage
5. Maximum of Power Input Voltage is included with ripple.

White : 1023 Gray
Black : 0 Gray



Mosaic Pattern(8 x 6)

Product Specification

Table 3. ELECTRICAL CHARACTERISTICS (Continue)

| Parameter | Symbol | Values | | | Unit | notes | |
|--|--------------------------------|----------------------|--------|-------|------|--|--------------|
| | | Min | Typ | Max | | | |
| LED Driver : | | | | | | | |
| Power Supply Input Voltage | VBL | 21.6 | 24.0 | 26.4 | Vdc | 1 | |
| Power Supply Input Current | IBL | - | 4.4 | 4.8 | A | 1 | |
| Power Supply Input Current (In-Rush) | In-rush | - | - | 5.3 | A | $V_{BL} = 21.6V$ $ExtV_{BR-B} = 100\%$ 4 | |
| Power Consumption | PBL | - | 104.7 | 115.3 | W | 1 | |
| Input Voltage for Control System Signals | On/Off | On | V on | 2.5 | - | 3.6 | Vdc |
| | | Off | V off | -0.3 | 0.0 | 0.7 | Vdc |
| | Brightness Adjust | ExtV _{BR-B} | 5 | - | 100 | % | On Duty 6 |
| | | | 1 | - | 100 | % | |
| | ExtV _{BR-B} Frequency | PAL | | 100 | | Hz | 3 |
| | | NTSC | | 120 | | Hz | 3 |
| Pulse Duty Level (PWM) | High Level | 2.5 | - | 3.6 | Vdc | HIGH : on duty LOW : off duty | |
| | Low Level | 0.0 | - | 0.7 | Vdc | | |
| LED : | | | | | | | |
| Life Time | | 50,000 | 60,000 | - | Hrs | 2 | |

notes :

- Electrical characteristics are determined after the unit has been 'ON' and stable for approximately 60 minutes at $25 \pm 2^\circ C$. The specified current and power consumption are under the typical supply Input voltage 24V and V_{BR} ($ExtV_{BR-B} : 100\%$), it is total power consumption.
- The life time (MTTF) is determined as the time which luminance of the LED is 50% compared to that of initial value at the typical LED current ($ExtV_{BR-B} : 100\%$) on condition of continuous operating in LCM state at $25 \pm 2^\circ C$.
- LGD recommend that the PWM freq. is synchronized with Two time harmonic of V_{sync} signal of system. Though PWM frequency is over 120Hz (max 252Hz), function of LED Driver is not affected.
- The duration of rush current is about 200ms. This duration is applied to LED on time.
- Even though inrush current is over the specified value, there is no problem if I^2T spec of fuse is satisfied.
- ExtV_{BR-B} signal have to input available duty range and sequence.
After Driver ON signal is applied, ExtV_{BR-B} should be sustained from 5% to 100% more than 500ms.
After that, ExtV_{BR-B} 1% and 100% is possible
For more information, please see 3-6-2. Sequence for LED Driver.

Product Specification

3-2. Interface Connections

This LCD module employs two kinds of interface connection, 51-pin connector is used for the module electronics and 14-pin connector is used for the integral backlight system.

3-2-1. LCD Module

- LCD Connector(CN1): FI-RE51S-HF(manufactured by JAE)

- Mating Connector : FI-R51HL(JAE) or compatible

Table 4. MODULE CONNECTOR(CN1) PIN CONFIGURATION

| No | Symbol | Description | No | Symbol | Description |
|----|-------------|-------------------------------------|----|------------|--------------------------------------|
| 1 | NC or GND | No Connection or Ground | 27 | Bit Select | 'H' = 10bit(D) , 'L' or NC = 8bit |
| 2 | NC | No Connection (Note 4) | 28 | R2AN | SECOND LVDS Receiver Signal (A-) |
| 3 | NC | No Connection (Note 4) | 29 | R2AP | SECOND LVDS Receiver Signal (A+) |
| 4 | NC | No Connection (Note 4) | 30 | R2BN | SECOND LVDS Receiver Signal (B-) |
| 5 | NC | No Connection (Note 4) | 31 | R2BP | SECOND LVDS Receiver Signal (B+) |
| 6 | NC | No Connection (Note 4) | 32 | R2CN | SECOND LVDS Receiver Signal (C-) |
| 7 | LVDS Select | 'H' =JEIDA , 'L' or NC = VESA | 33 | R2CP | SECOND LVDS Receiver Signal (C+) |
| 8 | NC | No Connection (Note 4) | 34 | GND | Ground |
| 9 | NC | No Connection (Note 4) | 35 | R2CLKN | SECOND LVDS Receiver Clock Signal(-) |
| 10 | NC | No Connection (Note 4) | 36 | R2CLKP | SECOND LVDS Receiver Clock Signal(+) |
| 11 | GND | Ground | 37 | GND | Ground |
| 12 | R1AN | FIRST LVDS Receiver Signal (A-) | 38 | R2DN | SECOND LVDS Receiver Signal (D-) |
| 13 | R1AP | FIRST LVDS Receiver Signal (A+) | 39 | R2DP | SECOND LVDS Receiver Signal (D+) |
| 14 | R1BN | FIRST LVDS Receiver Signal (B-) | 40 | R2EN | SECOND LVDS Receiver Signal (E-) |
| 15 | R1BP | FIRST LVDS Receiver Signal (B+) | 41 | R2EP | SECOND LVDS Receiver Signal (E+) |
| 16 | R1CN | FIRST LVDS Receiver Signal (C-) | 42 | NC or GND | No Connection or Ground |
| 17 | R1CP | FIRST LVDS Receiver Signal (C+) | 43 | NC or GND | No Connection or Ground |
| 18 | GND | Ground | 44 | GND | Ground (Note 6) |
| 19 | R1CLKN | FIRST LVDS Receiver Clock Signal(-) | 45 | GND | Ground |
| 20 | R1CLKP | FIRST LVDS Receiver Clock Signal(+) | 46 | GND | Ground |
| 21 | GND | Ground | 47 | NC | No connection |
| 22 | R1DN | FIRST LVDS Receiver Signal (D-) | 48 | VLCD | Power Supply +12.0V |
| 23 | R1DP | FIRST LVDS Receiver Signal (D+) | 49 | VLCD | Power Supply +12.0V |
| 24 | R1EN | FIRST LVDS Receiver Signal (E-) | 50 | VLCD | Power Supply +12.0V |
| 25 | R1EP | FIRST LVDS Receiver Signal (E+) | 51 | VLCD | Power Supply +12.0V |
| 26 | NC or GND | NC or Ground | - | - | - |

- Note
1. All GND (ground) pins should be connected together to the LCD module's metal frame.
 2. All VLCD (power input) pins should be connected together.
 3. All Input levels of LVDS signals are based on the **EIA 644** Standard.
 4. **#1~#6 & #8~#10** NC (No Connection): These pins are used only for LGD (Do not connect)
 5. LVDS pin (pin No. **#24,25,40,41**) are used for 10Bit(D) of the LCD module.
If used for 8Bit(R), these pins are no connection.
 6. Specific pin No. **#44** is used for "No signal detection" of system signal interface.
It should be GND for NSB (No Signal Black) while the system interface signal is not.
If this pin is "H", LCD Module displays AGP (Auto Generation Pattern).

Product Specification

3-2-2. Backlight Module

Master

-LED Driver Connector

: 2002WR - H14B2(Yeonho) or Compatible

- Mating Connector

: 2002HS - 14B2 (Yeonho) or Compatible

Table 5-1. LED DRIVER CONNECTOR PIN CONFIGURATION

| Pin No | Symbol | Description | Note |
|--------|----------|--------------------------|------|
| 1 | VBL | Power Supply +24.0V | |
| 2 | VBL | Power Supply +24.0V | |
| 3 | VBL | Power Supply +24.0V | |
| 4 | VBL | Power Supply +24.0V | |
| 5 | VBL | Power Supply +24.0V | |
| 6 | GND | Backlight Ground | 1 |
| 7 | GND | Backlight Ground | |
| 8 | GND | Backlight Ground | |
| 9 | GND | Backlight Ground | |
| 10 | GND | Backlight Ground | |
| 11 | Status | Back Light Status | 2 |
| 12 | VON/OFF | Backlight ON/OFF control | 4 |
| 13 | NC | Don't care | |
| 14 | EXTVBR-B | External PWM | 3 |

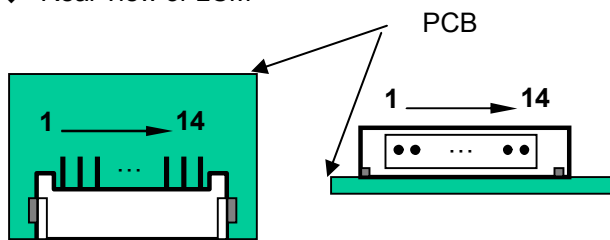
Notes :1. GND should be connected to the LCD module's metal frame.

2. Normal : Low (under 0.7V) / Abnormal : Open

3. High : on duty / Low : off duty, Pin#14 can be opened. (if Pin #14 is open , EXTVBR-B is 100%)

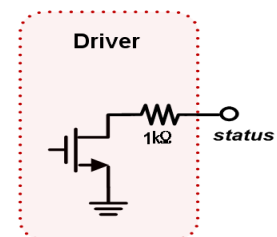
4. Each impedance of pin #12 and 14 is over 50 [KΩ] .

◆ Rear view of LCM



<Master>

◆ Status



Product Specification

3-3. Signal Timing Specifications

Table 6 shows the signal timing required at the input of the LVDS transmitter. All of the interface signal timings should be satisfied with the following specification for normal operation.

Table 6. TIMING TABLE for NTSC & PAL (DE Only Mode)

| ITEM | | Symbol | Min | Typ | Max | Unit | notes |
|------------|----------------|-----------------|------|------|------|-------|----------|
| Horizontal | Display Period | t _{HV} | 960 | 960 | 960 | tCLK | 1920 / 2 |
| | Blank | t _{HB} | 100 | 140 | 240 | tCLK | 1 |
| | Total | t _{HP} | 1060 | 1100 | 1200 | tCLK | |
| Vertical | Display Period | t _{VV} | 1080 | 1080 | 1080 | Lines | |
| | Blank | t _{VB} | 20 | 45 | 300 | Lines | 1 |
| | Total | t _{VP} | 1100 | 1125 | 1380 | Lines | |

| ITEM | | Symbol | Min | Typ | Max | Unit | notes |
|-----------|------------|------------------|-------|-------|-------|------|-------|
| Frequency | DCLK | f _{CLK} | 60.00 | 74.25 | 78.00 | MHz | |
| | Horizontal | f _H | 57.3 | 67.5 | 70 | KHz | 2 |
| | Vertical | f _V | 47 | 60 | 63 | Hz | 2 |

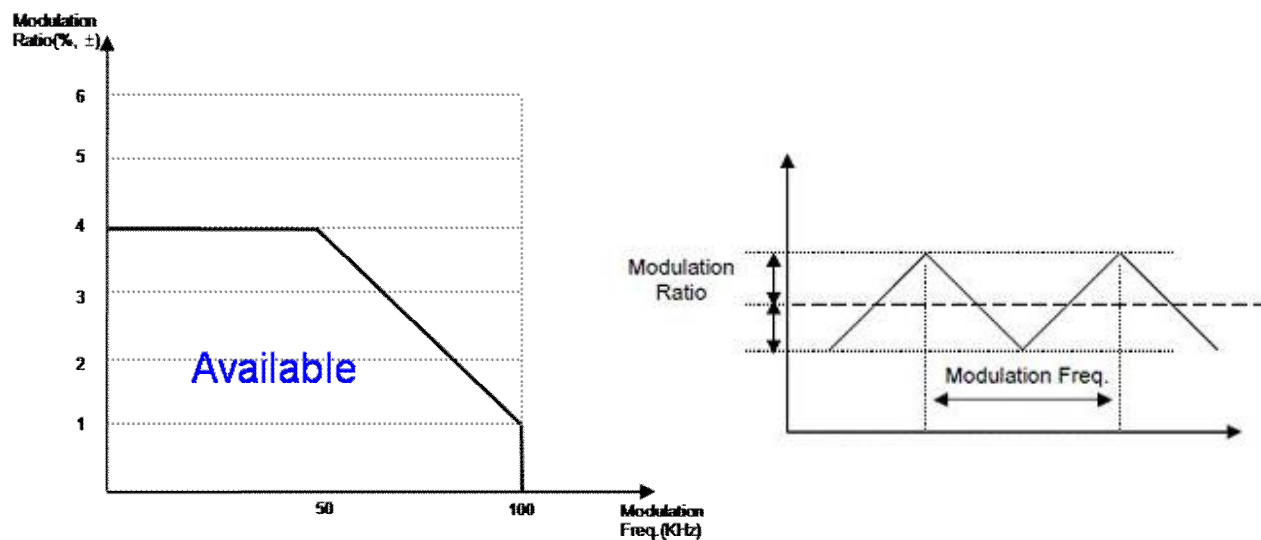
Note: 1. The input of HSYNC & VSYNC signal does not have an effect on normal operation (DE Only Mode).
If you use spread spectrum of EMI, add some additional clock to minimum value for clock margin.

2. The performance of the electro-optical characteristics may be influenced by variance of the vertical refresh rate and the horizontal frequency

3. Spread Spectrum Rate (SSR) for 50KHz ~ 100kHz Modulation Frequency(FMOD) is calculated by $(7 - 0.06 \cdot F_{mod})$, where Modulation Frequency (F_{MOD}) unit is KHz.
LVDS Receiver Spread spectrum Clock is defined as below figure

※ Timing should be set based on clock frequency.

Product Specification



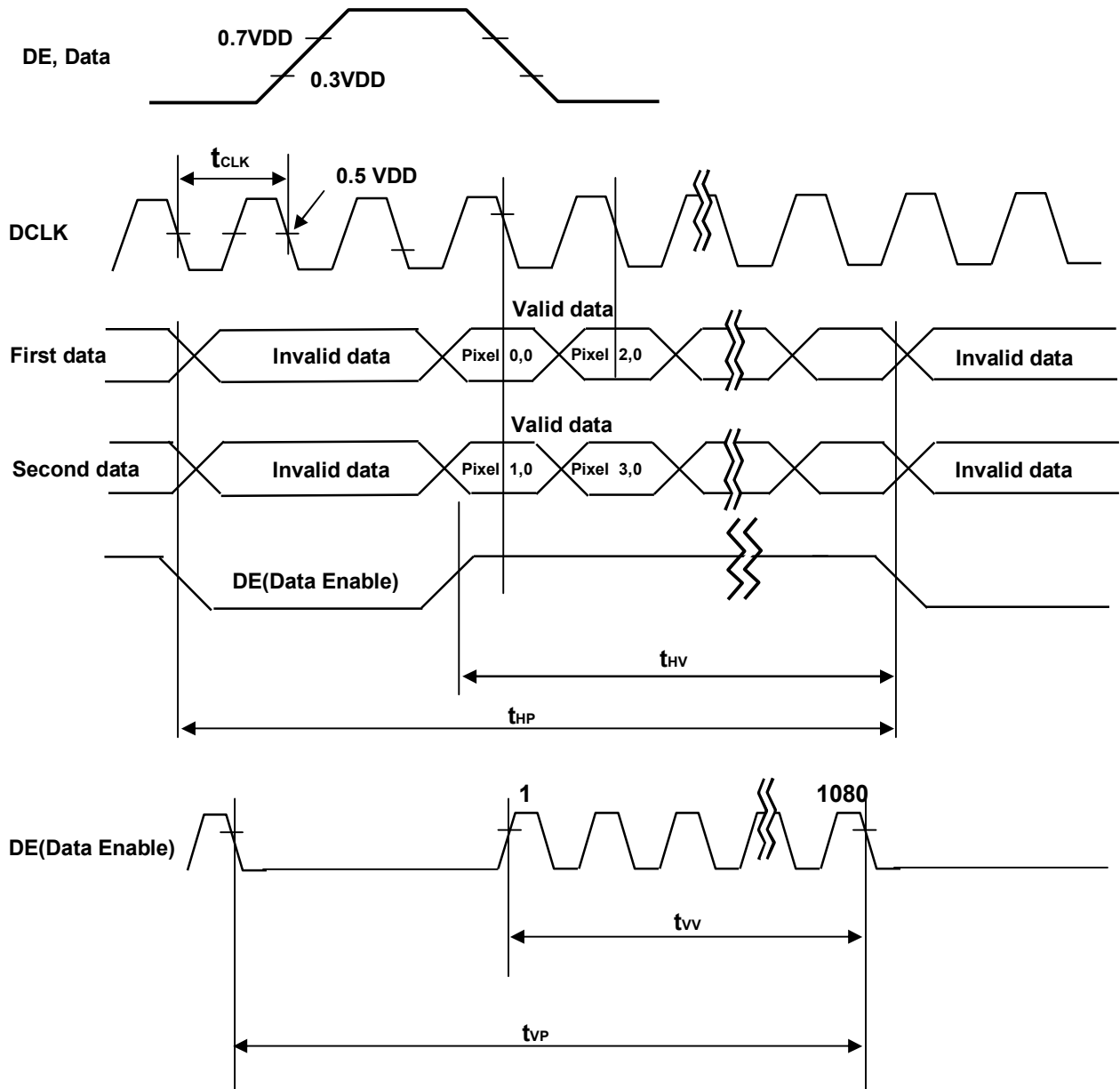
※ Please pay attention to the followings when you set Spread Spectrum Rate(SSR) and Modulation Frequency(FMOD)

1. Please set proper Spread Spectrum Rate(SSR) and Modulation Frequency (FMOD) of TV system LVDS output.
2. Please check FOS after you set Spread Spectrum Rate(SSR) and Modulation Frequency(FMOD) to avoid abnormal display. Especially, harmonic noise can appear when you use Spread Spectrum under FMOD 30 KHz.

Product Specification

3-4. LVDS Signal Specification

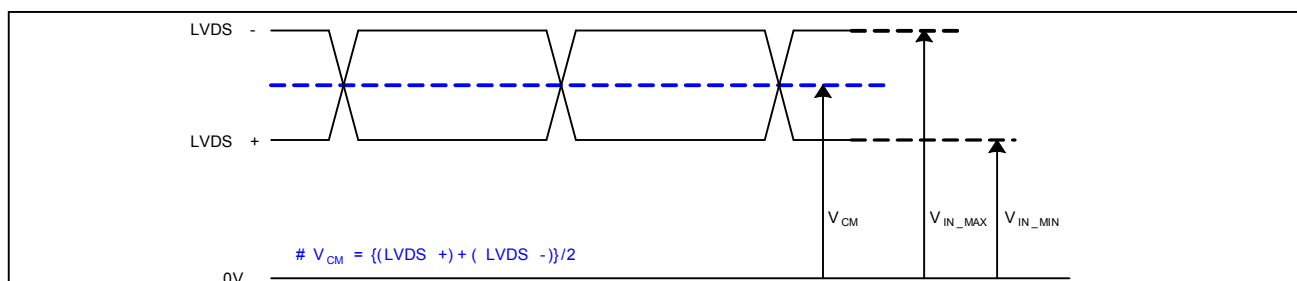
3-4-1. LVDS Input Signal Timing Diagram



Product Specification

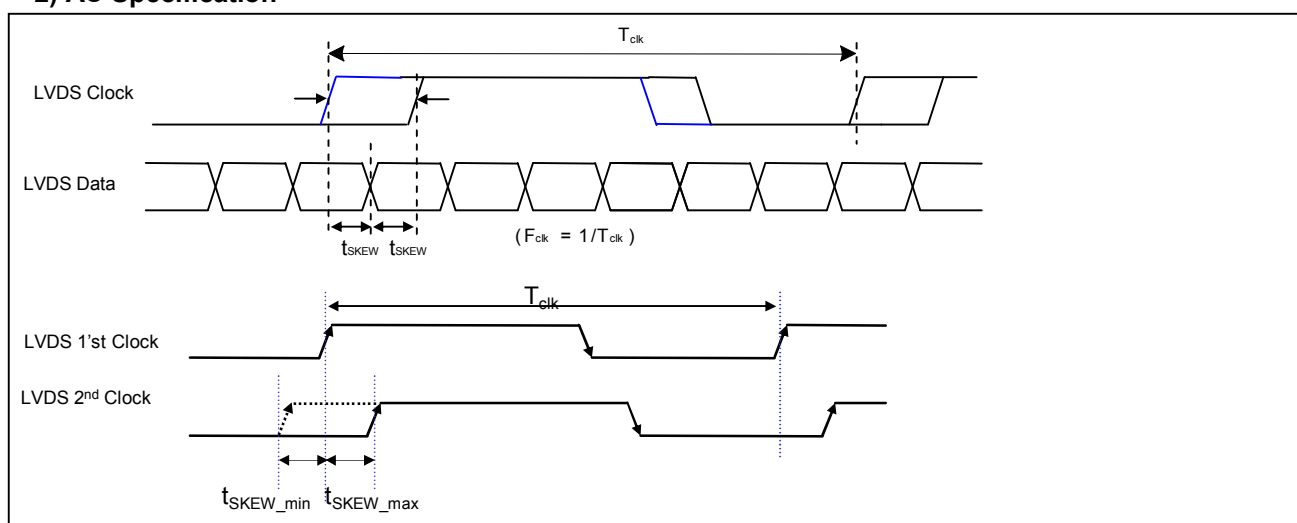
3-4-2. LVDS Input Signal Characteristics

1) DC Specification



| Description | Symbol | Min | Max | Unit | notes |
|-------------------------------|-----------------|-----|-----|------|-------|
| LVDS Common mode Voltage | V_{CM} | 1.0 | 1.5 | V | - |
| LVDS Input Voltage Range | V_{IN} | 0.7 | 1.8 | V | - |
| Change in common mode Voltage | ΔV_{CM} | - | 250 | mV | - |

2) AC Specification

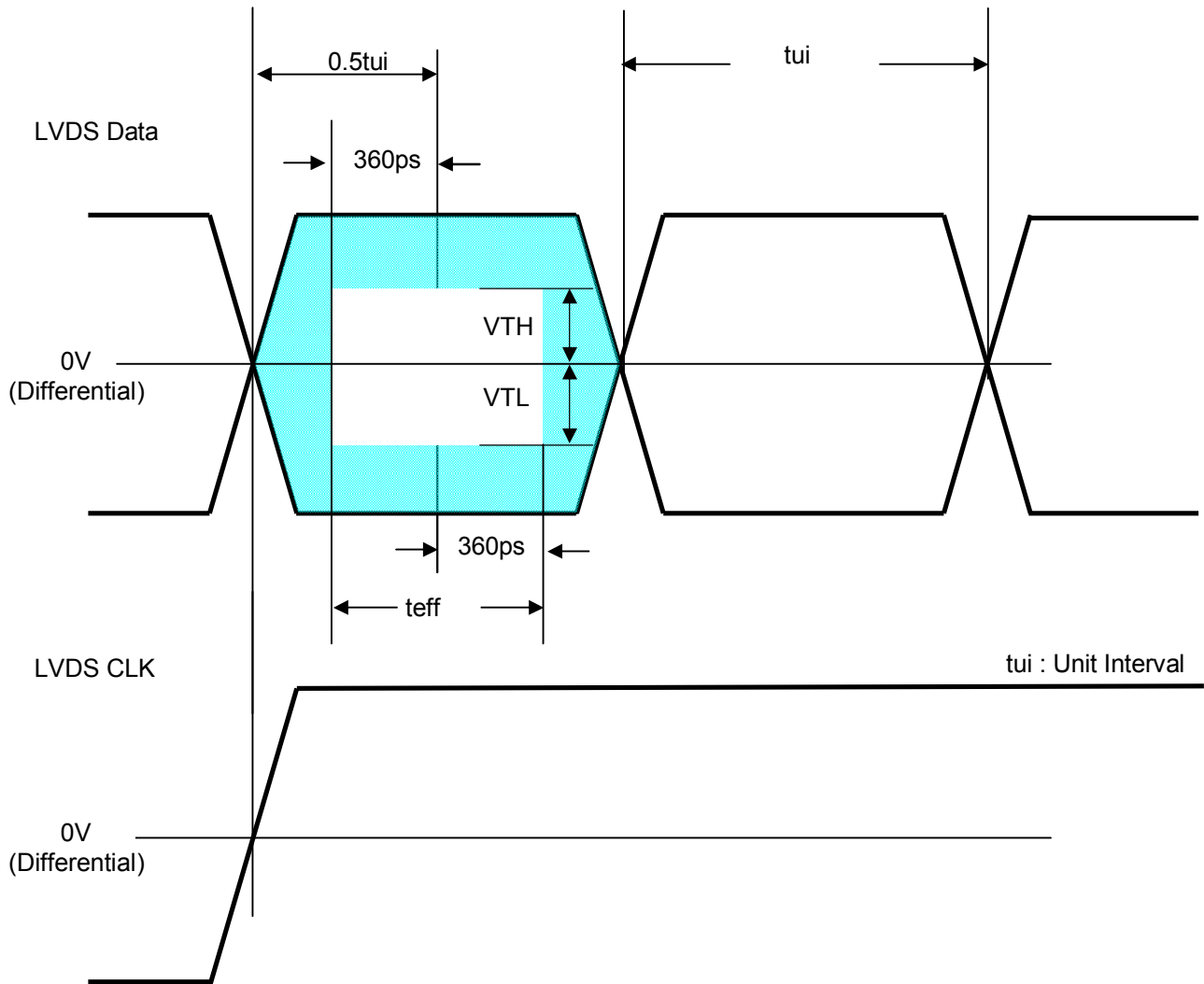


| Description | Symbol | Min | Max | Unit | notes |
|--|----------------|-------------|--------------------------|------|-------------------------------------|
| LVDS Differential Voltage | V_{TH} | 100 | 600 | mV | Tested with Differential Probe 2 |
| | V_{TL} | -600 | -100 | mV | |
| LVDS Clock to Data Skew | t_{SKEW} | - | $ (0.25 * T_{clk}) / 7 $ | ps | - |
| Effective time of LVDS | t_{eff} | $ \pm 360 $ | - | ps | - |
| LVDS Clock to Clock Skew (Even to Odd) | t_{SKEW_EO} | - | $ 1/7 * T_{clk} $ | ps | - |

notes 1. All Input levels of LVDS signals are based on the EIA 644 Standard.

2. LVDS Differential Voltage is defined within t_{eff}

Product Specification



* This accumulated waveform is tested with differential probe

Product Specification

3-6. Power Sequence

3-6-1. LCD Driving circuit

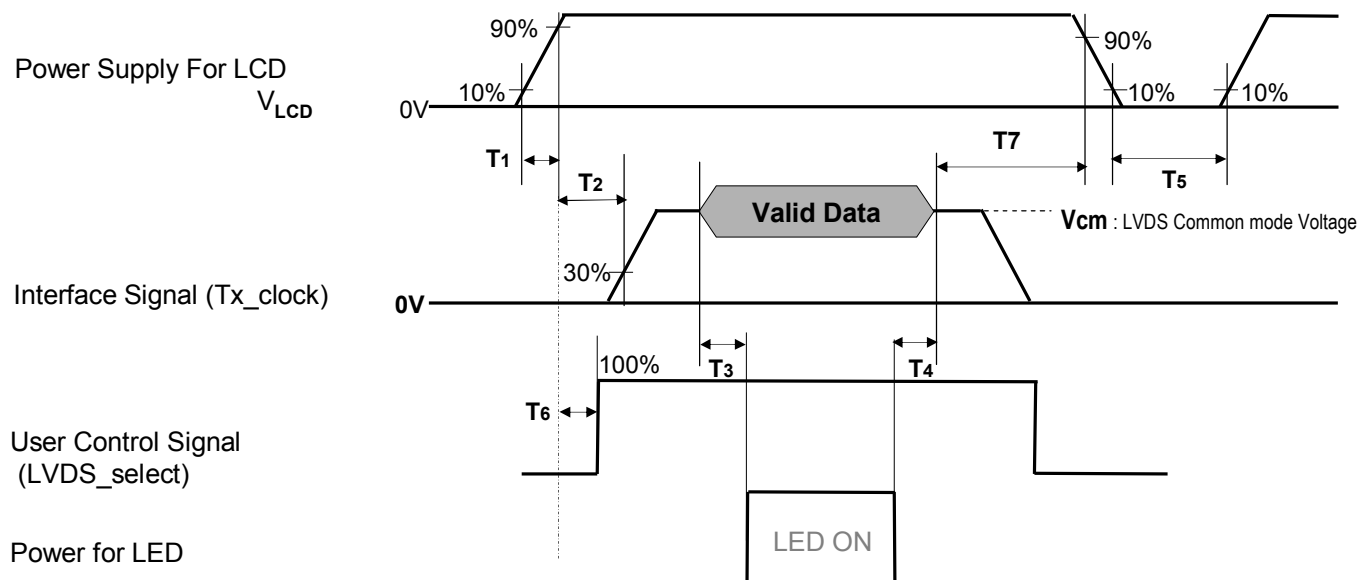


Table 8. POWER SEQUENCE

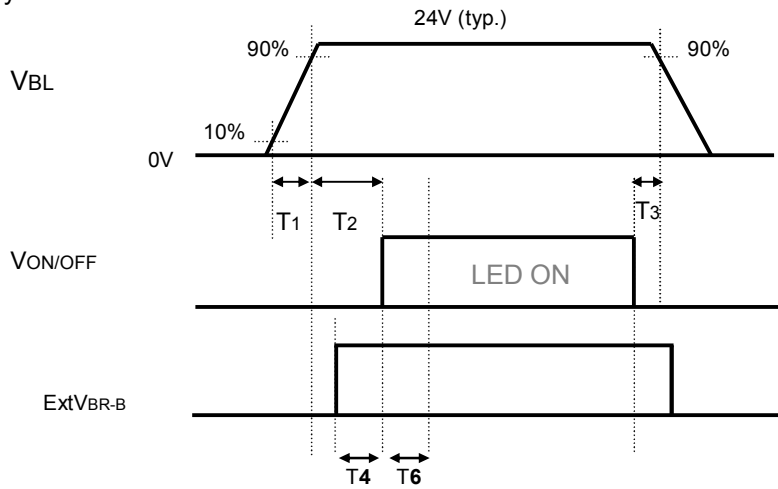
| Parameter | Value | | | Unit | Notes |
|-----------|-------|-----|-----|------|-------|
| | Min | Typ | Max | | |
| T1 | 0.5 | - | 20 | ms | 1 |
| T2 | 0 | - | - | ms | 2 |
| T3 | 400 | - | - | ms | 3 |
| T4 | 100 | - | - | ms | 3 |
| T5 | 1.0 | - | - | s | 4 |
| T6 | 0 | - | T2 | ms | 5 |
| T7 | 0 | - | - | ms | 6 |

- Note :
1. Even though T1 is over the specified value, there is no problem if I2T spec of fuse is satisfied.
 2. If T2 is satisfied with specification after removing LVDS Cable, there is no problem.
 3. The T3 / T4 is recommended value, the case when failed to meet a minimum specification, abnormal display would be shown. There is no reliability problem.
 4. T5 should be measured after the Module has been fully discharged between power off and on period.
 5. If the on time of signals (Interface signal and user control signals) precedes the on time of Power (V_{LCD}), it will be happened abnormal display. When T6 is NC status, T6 doesn't need to be measured.
 6. It is recommendation specification that T7 has to be 0ms as a minimum value.
 - ※ Please avoid floating state of interface signal at invalid period.
 - ※ When the power supply for LCD (VLCD) is off, be sure to pull down the valid and invalid data to 0V.

Product Specification

3-6-2. Sequence for LED Driver

Power Supply For LED Driver



3-6-3. Dip condition for LED Driver

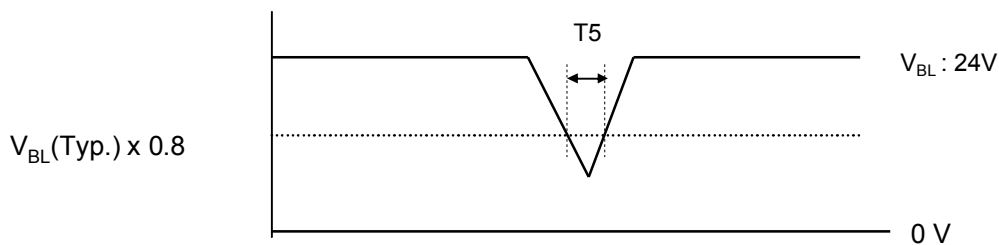


Table 9. Power Sequence for LED Driver

| Parameter | Values | | | Units | Remarks |
|-----------|--------|-----|-----|-------|--------------------------|
| | Min | Typ | Max | | |
| T1 | 20 | - | - | ms | 1 |
| T2 | 500 | - | - | ms | |
| T3 | 10 | - | - | ms | |
| T4 | 0 | - | - | ms | |
| T5 | - | - | 10 | ms | $V_{BL}(Typ) \times 0.8$ |
| T6 | 500 | - | - | ms | 2 |

- Notes : 1. T1 describes rising time of 0V to 24V and this parameter does not applied at restarting time.
Even though T1 is over the specified value, there is no problem if I²T spec of fuse is satisfied.
2. In T6 section, ExtVBR-B should be sustained from 5% to 100% .

Product Specification

4. Optical Specification

Optical characteristics are determined after the unit has been 'ON' and stable in a dark environment at $25\pm 2^{\circ}\text{C}$. The values are specified at 50cm from the LCD surface at a viewing angle of Φ and θ equal to 0° . FIG. 1 shows additional information concerning the measurement equipment and method.

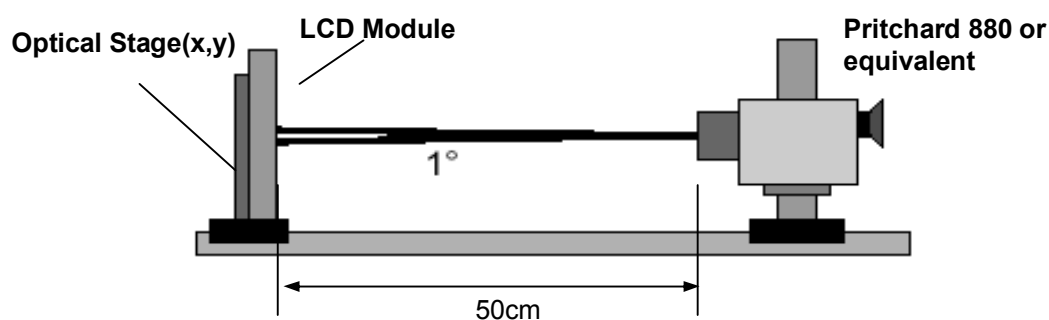


FIG. 1 Optical Characteristic Measurement Equipment and Method

$T_a = 25\pm 2^{\circ}\text{C}$, $V_{\text{LCD}} = 12.0\text{V}$, $f_v = 60\text{Hz}$, $D_{\text{clk}} = 74.25\text{MHz}$,
 $\text{EXTV}_{\text{BR-B}} = 100\%$

Table 10. OPTICAL CHARACTERISTICS

| Parameter | Symbol | Value | | | Unit | notes | |
|--------------------------------|-------------------------------------|--------------------------|--------------|-------|------------------------|--------|---|
| | | Min | Typ | Max | | | |
| Contrast Ratio | CR | 900 | 1300 | - | | 1 | |
| Surface Luminance, white | L_{WH} | 400 | 500 | - | cd/m^2 | 2 | |
| Luminance Variation | δ_{WHITE} 9P | 65 | | - | % | 3 | |
| Response Time | Gray-to-Gray | G to G | 8 | 12 | ms | 4 | |
| | Uniformity | $\delta_{\text{G TO G}}$ | - | 1 | | 5 | |
| Color Coordinates [CIE1931] | RED | Rx | Typ -0.03 | 0.648 | Typ +0.03 | | |
| | | Ry | | 0.334 | | | |
| | GREEN | Gx | | 0.310 | | | |
| | | Gy | | 0.603 | | | |
| | BLUE | Bx | | 0.151 | | | |
| | | By | | 0.062 | | | |
| | WHITE | Wx | | 0.279 | | | |
| Wy | 0.292 | | | | | | |
| Color Temperature | | | 10,000 | | K | | |
| Color Gamut | | | 72 | | % | | |
| Viewing Angle (CR>10) | | | | | | | |
| | x axis, right ($\phi=0^{\circ}$) | θ_r | 89 | - | - | degree | 6 |
| | x axis, left ($\phi=180^{\circ}$) | θ_l | 89 | - | - | | |
| | y axis, up ($\phi=90^{\circ}$) | θ_u | 89 | - | - | | |
| | y axis, down ($\phi=270^{\circ}$) | θ_d | 89 | - | - | | |
| Gray Scale | | | - | - | - | | 7 |

Product Specification

Note : 1. Contrast Ratio(CR) is defined mathematically as :

$$\text{Contrast Ratio} = \frac{\text{Surface Luminance with all white pixels}}{\text{Surface Luminance with all black pixels}}$$

It is measured at center 1-point.

2. Surface luminance are determined after the unit has been 'ON' and 1 Hour after lighting the backlight in a dark environment at $25 \pm 2^\circ\text{C}$. Surface luminance is the luminance value at center 1-point across the LCD surface 50cm from the surface with all pixels displaying white. For more information see the FIG. 2.
3. The variation in surface luminance, δ WHITE is defined as :
 δ WHITE(9P) = Minimum ($L_{on1}, L_{on2} \sim L_{on8}, L_{on9}$) / Maximum ($L_{on1}, L_{on2} \sim L_{on8}, L_{on9}$)*100
 Where L_{on1} to L_{on9} are the luminance with all pixels displaying white at 9 locations .
 For more information, see the FIG. 2.
4. Response time is the time required for the display to transit from G(N) to G(M) (Rise Time, Tr_R) and from G(M) to G(N) (Decay Time, Tr_D). For additional information see the FIG. 3.(N<M)
 ※ G to G Spec stands for average value of all measured points.
 Photo Detector : RD-80S / Field : 2°
5. Viewing angle is the angle at which the contrast ratio is greater than 10. The angles are determined for the horizontal or x axis and the vertical or y axis with respect to the z axis which is normal to the LCD module surface. For more information, see the FIG. 4.
6. Gray scale specification
 Gamma Value is approximately 2.2. For more information, see the Table 11.

Table 11. Gray scale specification

| Gray Level | Luminance [%] (Typ) |
|------------|---------------------|
| L0 | 0.07 |
| L63 | 0.27 |
| L127 | 1.04 |
| L191 | 2.49 |
| L255 | 4.68 |
| L319 | 7.66 |
| L383 | 11.5 |
| L447 | 16.1 |
| L511 | 21.6 |
| L575 | 28.1 |
| L639 | 35.4 |
| L703 | 43.7 |
| L767 | 53.0 |
| L831 | 63.2 |
| L895 | 74.5 |
| L959 | 86.7 |
| L1023 | 100 |

Product Specification

Measuring point for surface luminance & measuring point for luminance variation.

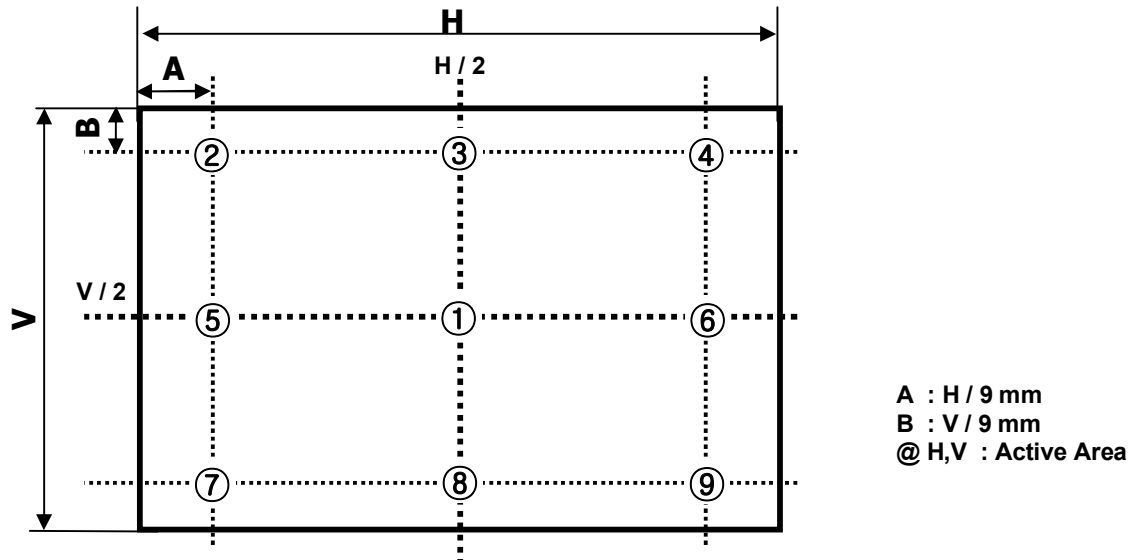


FIG. 2 9 Points for Luminance Measure

Response time is defined as the following figure and shall be measured by switching the input signal for "Gray(N)" and "Gray(M)".

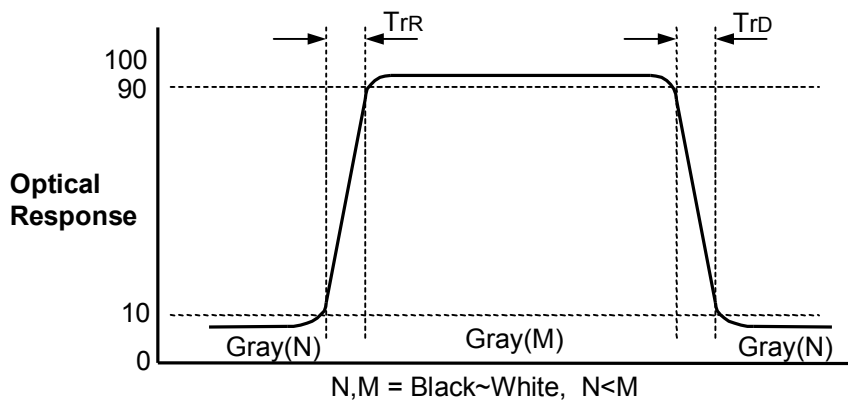


FIG. 3 Response Time

Dimension of viewing angle range

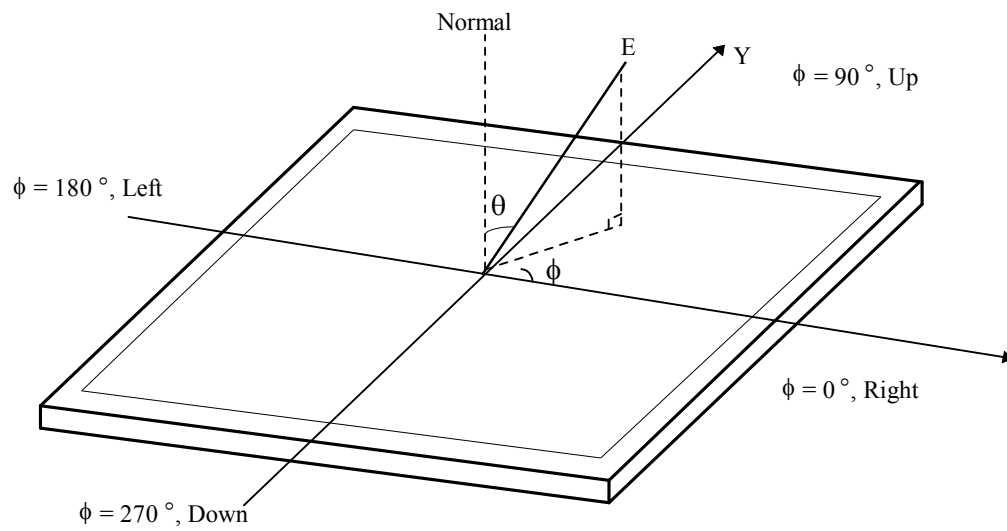


FIG. 4 Viewing Angle

Product Specification

5. Mechanical Characteristics

Table 12 provides general mechanical characteristics.

Table 12. MECHANICAL CHARACTERISTICS

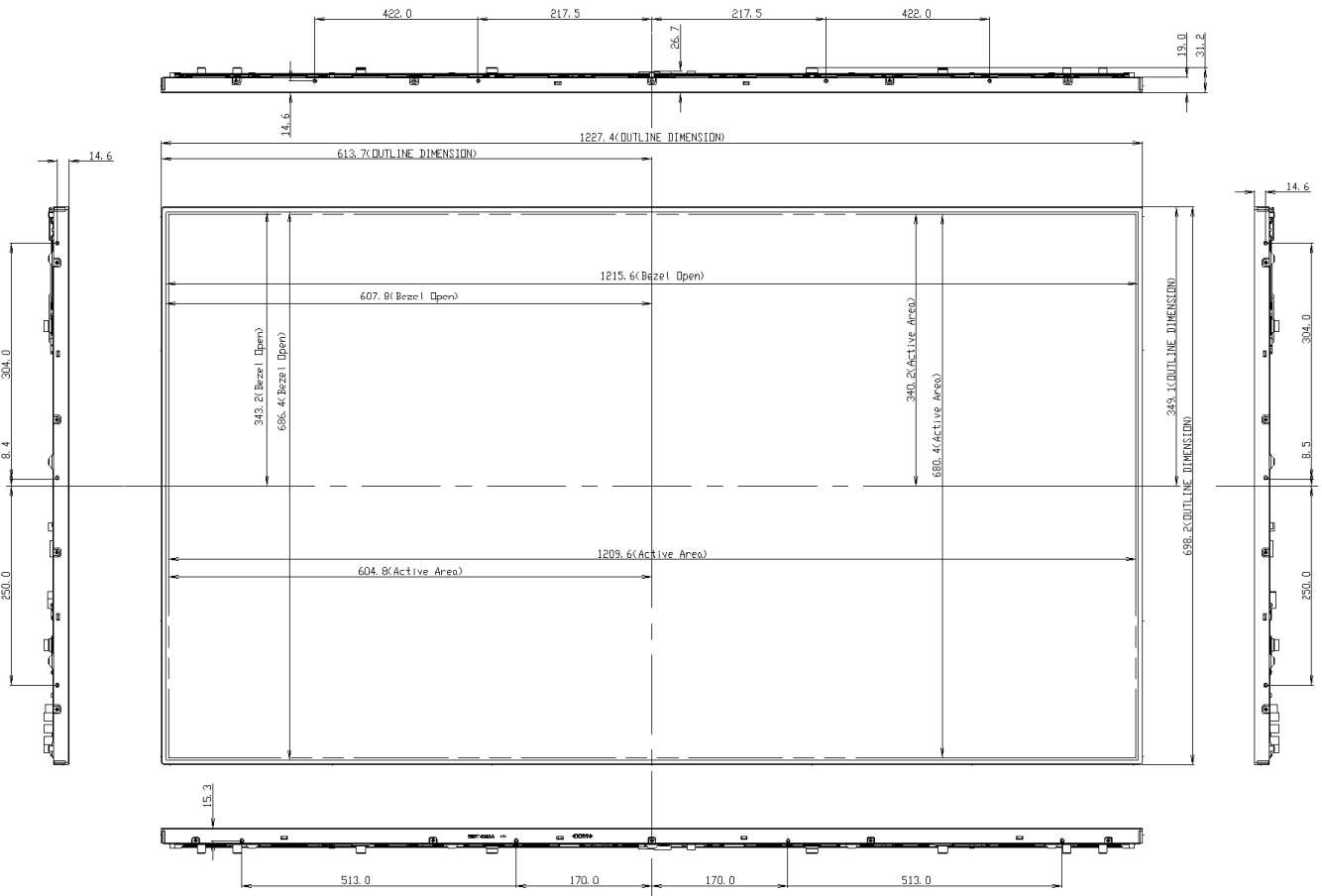
| Item | Value | |
|---------------------|--------------------------------|-----------|
| Outline Dimension | Horizontal | 1227.4 mm |
| | Vertical | 698.2mm |
| | Depth | 12.7 mm |
| Bezel Area | Horizontal | 1215.6 mm |
| | Vertical | 686.4 mm |
| Active Display Area | Horizontal | 1209.6 mm |
| | Vertical | 680.4 mm |
| Weight | 16.5 Kg (Typ.), 17.0 kg (Max.) | |

Note : Please refer to a mechanical drawing in terms of tolerance at the next page.

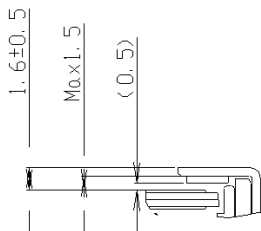
Product Specification

[FRONT VIEW]

SET : TOP

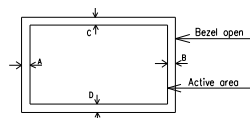


SET : DOWN



- Notes
1. Unspecified tolerance is ±1.0mm.
 2. Tilt and Partial disposition tolerance of display area as following
 (1) X-Direction : IA-BI 1.5mm
 (2) Y-Direction : IC-DI 1.5mm

| Date | Version |
|------------|---------|
| 2014.08.19 | 1.0 |
| | |
| | |



Product Specification

6. Reliability**Table 13. ENVIRONMENT TEST CONDITION**

| No. | Test Item | Condition |
|-----|--|---|
| 1 | High temperature storage test | Ta= 60°C 90% 240h |
| 2 | Low temperature storage test | Ta= -20°C 240h |
| 3 | High temperature operation test | Ta= 50°C 50%RH 500h |
| 4 | Low temperature operation test | Ta= 0°C 500h |
| 5 | Vibration test (non-operating) | Wave form : random Vibration level : 0.5Grms Bandwidth : 10-300Hz Duration : X,Y,Z, Each direction per 10 min |
| 6 | Shock test (non-operating) | Shock level : 10Gms Waveform : half sine wave, 14ms Direction : ±X, ±Y, ±Z One time each direction |
| 7 | Humidity condition Operation | Ta= 40 °C ,90%RH |
| 8 | Altitude operating storage / shipment | 0 - 16,400 ft 0 - 40,000 ft |

Note : 1. Before and after Reliability test, LCM should be operated with normal function.

2. These conditions are for LGD's internal test. Please refer to Absolute Maximum Ratings (Table1) for guaranteed condition.

7. International Standards

7-1. Safety

- a) UL 60950-1, Underwriters Laboratories Inc.
Information Technology Equipment - Safety - Part 1 : General Requirements.
- b) CAN/CSA C22.2 No.60950-1-07, Canadian Standards Association.
Information Technology Equipment - Safety - Part 1 : General Requirements.
- c) EN 60950-1, European Committee for Electrotechnical Standardization (CENELEC).
Information Technology Equipment - Safety - Part 1 : General Requirements.
- d) IEC 60950-1, The International Electrotechnical Commission (IEC).
Information Technology Equipment - Safety - Part 1 : General Requirements.

7-2. Environment

- a) RoHS, Directive 2002/95/EC of the European Parliament and of the council of 27 January 2003

Product Specification

8. Packing**8-1. Information of LCM Label**

a) Lot Mark

| | | | | | | | | | | | | |
|---|---|---|---|---|---|---|---|---|---|---|---|---|
| A | B | C | D | E | F | G | H | I | J | K | L | M |
|---|---|---|---|---|---|---|---|---|---|---|---|---|

A,B,C : SIZE(INCH)
E : MONTH

D : YEAR
F ~ M : SERIAL NO.

Note

1. YEAR

| | | | | | | | | | | |
|------|------|------|------|------|------|------|------|------|------|------|
| Year | 2011 | 2012 | 2013 | 2014 | 2015 | 2016 | 2017 | 2018 | 2019 | 2020 |
| Mark | A | B | C | D | E | F | G | H | J | K |

2. MONTH

| | | | | | | | | | | | | |
|-------|-----|-----|-----|-----|-----|-----|-----|-----|-----|-----|-----|-----|
| Month | Jan | Feb | Mar | Apr | May | Jun | Jul | Aug | Sep | Oct | Nov | Dec |
| Mark | 1 | 2 | 3 | 4 | 5 | 6 | 7 | 8 | 9 | A | B | C |

b) Location of Lot Mark

Serial NO. is printed on the label. The label is attached to the backside of the LCD module.
This is subject to change without prior notice.

8-2. Packing Form

a) Package quantity in one Pallet : 18 pcs

b) Pallet Size : 1440 mm(W) X 1140 mm(D) X 950 mm(H)

9. Precautions

Please pay attention to the followings when you use this TFT LCD module.

9-1. Mounting Precautions

- (1) You must mount a module using specified mounting holes (Details refer to the drawings).
- (2) You should consider the mounting structure so that uneven force (ex. Twisted stress, Concentrated stress) is not applied to the module. And the case on which a module is mounted should have sufficient strength so that external force is not transmitted directly to the module.
- (3) Please attach the surface transparent protective plate to the surface in order to protect the polarizer. Transparent protective plate should have sufficient strength in order to resist external force.
- (4) You should adopt radiation structure to satisfy the temperature specification.
- (5) Acetic acid type and chlorine type materials for the cover case are not desirable because the former generates corrosive gas of attacking the polarizer at high temperature and the latter causes circuit break by electro-chemical reaction.
- (6) Do not touch, push or rub the exposed polarizers with glass, tweezers or anything harder than HB pencil lead. And please do not rub with dust clothes with chemical treatment. Do not touch the surface of polarizer for bare hand or greasy cloth. (Some cosmetics are detrimental to the polarizer.)
- (7) When the surface becomes dusty, please wipe gently with absorbent cotton or other soft materials like chamois soaks with petroleum benzine. Normal-hexane is recommended for cleaning the adhesives used to attach front / rear polarizers. Do not use acetone, toluene and alcohol because they cause chemical damage to the polarizer
- (8) Wipe off saliva or water drops as soon as possible. Their long time contact with polarizer causes deformations and color fading.
- (9) Do not open the case because inside circuits do not have sufficient strength.
- (10) Touching the LED Driver might cause an electric shock and damage to LED Driver. Please always use antistatic tools when handling the LED Driver

9-2. Operating Precautions

- (1) Response time depends on the temperature. (In lower temperature, it becomes longer.)
- (2) Brightness depends on the temperature. (In lower temperature, it becomes lower.)
And in lower temperature, response time (required time that brightness is stable after turned on) becomes longer
- (3) Be careful for condensation at sudden temperature change. Condensation makes damage to polarizer or electrical contacted parts. And after fading condensation, smear or spot will occur.
- (4) When fixed patterns are displayed for a long time, remnant image is likely to occur.
- (5) Module has high frequency circuits. Sufficient suppression to the electromagnetic interference shall be done by system manufacturers. Grounding and shielding methods may be important to minimize the interference.
- (6) Please do not give any mechanical and/or acoustical impact to LCM. Otherwise, LCM can't be operated its full characteristics perfectly.
- (7) A screw which is fastened up the steels should be a machine screw.
(if not, it can cause conductive particles and deal LCM a fatal blow)
- (8) Please do not set LCD on its edge.
- (9) The conductive material and signal cables are kept away from LED driver inductor to prevent abnormal display, sound noise and temperature rising.

9-3. Electrostatic Discharge Control

Since a module is composed of electronic circuits, it is not strong to electrostatic discharge. Make certain that treatment persons are connected to ground through wrist band etc. And don't touch interface pin directly.

9-4. Precautions for Strong Light Exposure

Strong light exposure causes degradation of polarizer and color filter.

9-5. Storage

When storing modules as spares for a long time, the following precautions are necessary.

- (1) Store them in a dark place. Do not expose the module to sunlight or fluorescent light. Keep the temperature between 5°C and 35°C at normal humidity.
- (2) The polarizer surface should not come in contact with any other object.
It is recommended that they be stored in the container in which they were shipped.
- (3) Storage condition is guaranteed under packing conditions.
- (4) The phase transition of Liquid Crystal in the condition of the low or high storage temperature will be recovered when the LCD module returns to the normal condition.

9-6. Appropriate Condition for Commercial Display

- Generally large-sized LCD modules are designed for consumer applications (TV).
Accordingly, a long-term display like in Commercial Display application, can cause uneven display including image sticking. To optimize module's lifetime and function, several operating usages are required.

1. Normal operating condition

- Temperature: 0 ~ 40°C
 - Operating Ambient Humidity : 10 ~ 90 %
 - Display pattern: dynamic pattern (Real display)
- Note) Long-term static display can cause image sticking.

2. Operating usages under abnormal condition

a. Ambient condition

- Well-ventilated place is recommended to set up Commercial Display system.

b. Power and screen save

- Periodical power-off or screen save is needed after long-term display.

Product Specification

3. Operating usages to protect against image sticking due to long-term static display
 - a. Suitable operating time on 'Static Image' : Under 24 hours a day
(* The moving picture can be allowed for 24 hours a day)
 - b. Static information display recommended to use with moving image.
 - Cycling display between 5 minutes' information(static) display and 10 seconds' moving image.
 - c. Background and character (image) color change
 - Use different colors for background and character, respectively.
 - Change colors themselves periodically.
 - d. Avoid combination of background and character with large different luminance.
 - 1) Abnormal condition just means conditions except normal condition.
 - 2) Black image or moving image is strongly recommended as a screen save.
4. Lifetime in this spec. is guaranteed only when Commercial Display is used according to operating usages.
5. Module should be turned clockwise based on front view when used in portrait mode.

9-7. Handling Precautions for Protection Film

- (1) The protection film is attached to the bezel with a small masking tape.

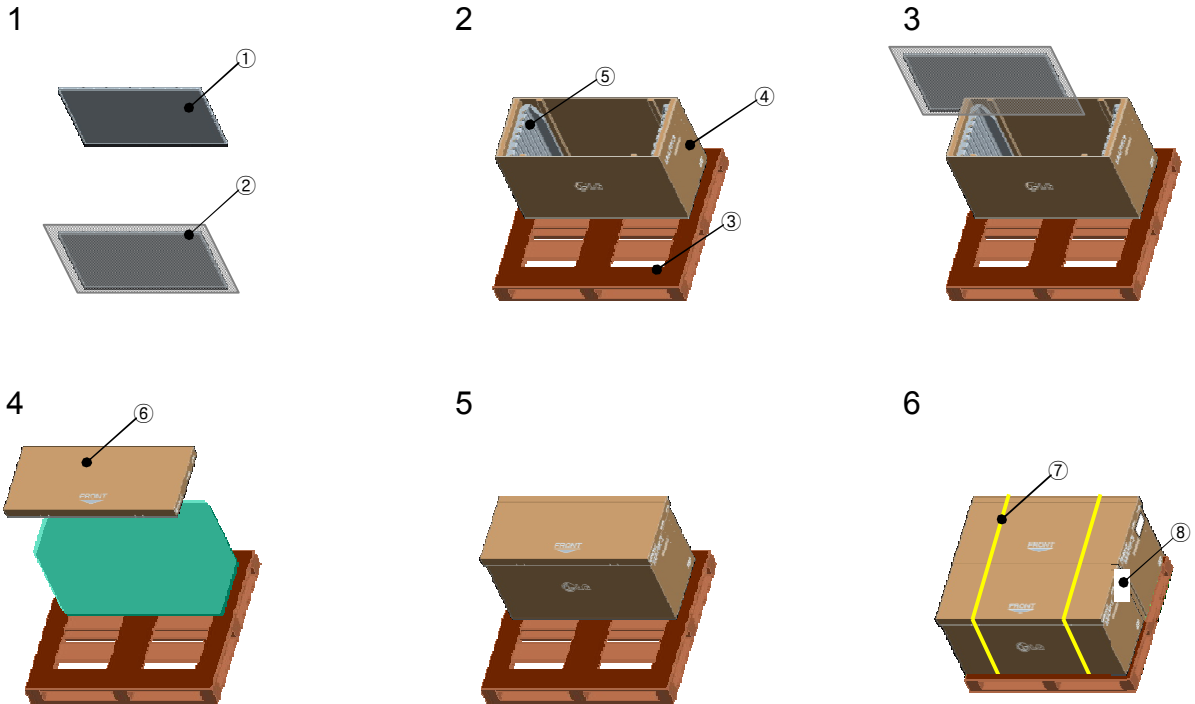
When the protection film is peeled off, static electricity is generated between the film and polarizer.

This should be peeled off slowly and carefully by people who are electrically grounded and with well ion-blown equipment or in such a condition, etc.
- (2) When the module with protection film attached is stored for a long time, sometimes there remains a very small amount of glue still on the bezel after the protection film is peeled off.
- (3) You can remove the glue easily. When the glue remains on the bezel surface or its vestige is recognized, please wipe them off with absorbent cotton waste or other soft material like chamois soaked with normal-hexane.

Product Specification

APPENDIX-I

■ Pallet Ass'y



| NO. | DESCRIPTION | MATERIAL |
|-----|------------------|---------------------------|
| ① | LCD Module | 55INCH |
| ② | AL BAG | AL |
| ③ | PALLET | Plyeood 1440×1140×134.5mm |
| ④ | PACKING,BOTTOM | PAPER |
| ⑤ | PACKING,SIDE RIB | EPS |
| ⑥ | PACKING, TOP | PAPER |
| ⑦ | BAND,CLIP | STEEL or PP |
| ⑧ | LABEL | YUPO 80G 100X70 |

APPENDIX- II-1

■ LCM Label



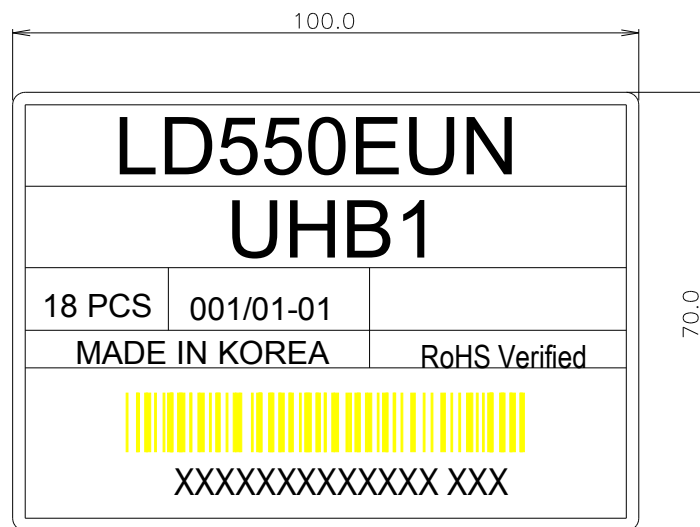
■ Production site

– LG Display (Paju, New Optics) Co., LTD

notes 1.The origin of LCM Label will be changed according to the production site.

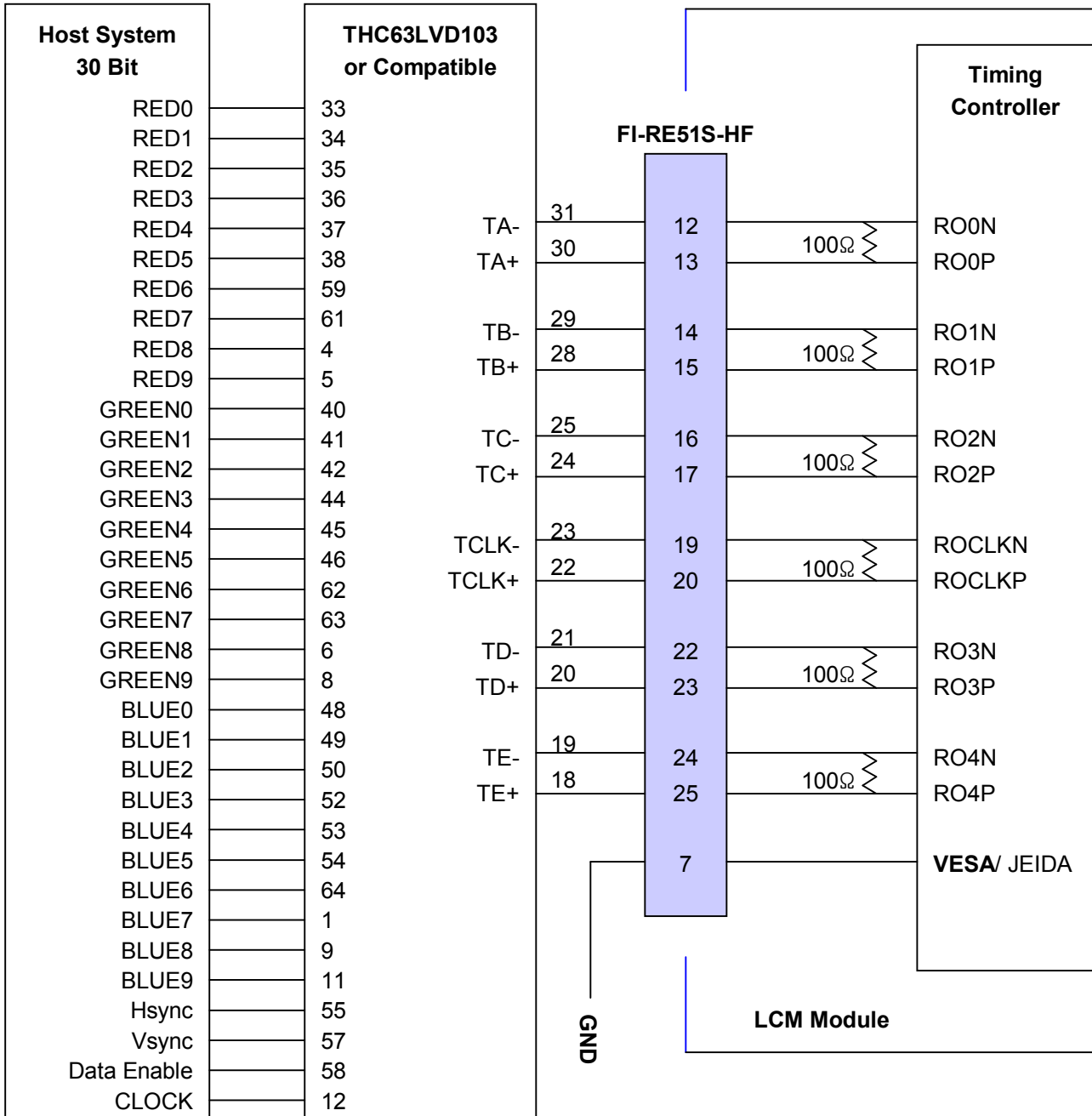
APPENDIX- II-2

■ Pallet Label



APPENDIX- III-1

■ Required signal assignment for Flat Link (Thine : THC63LVD103) Transmitter(Pin7= “L”)



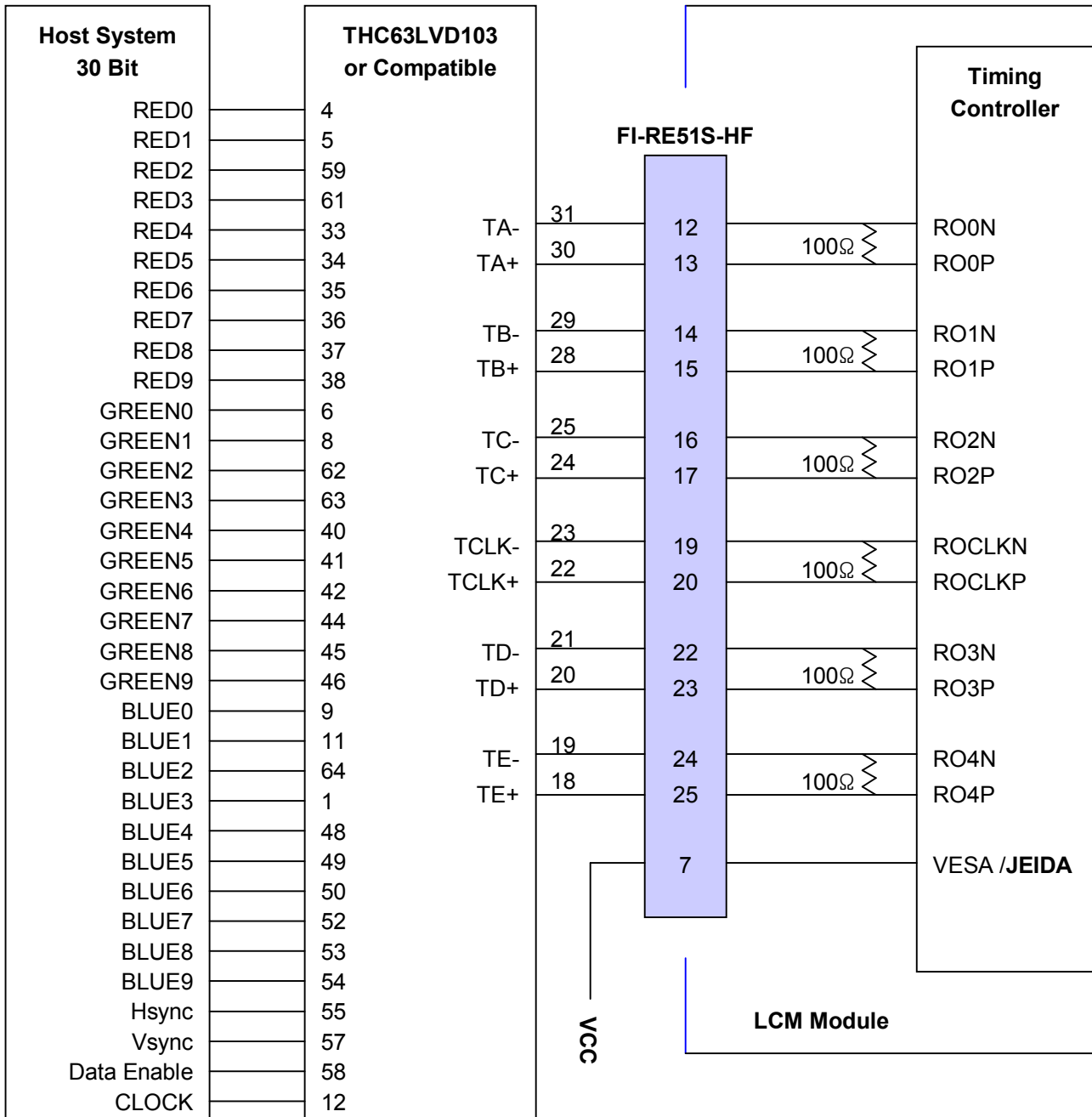
Note: 1. The LCD module uses a 100 Ohm[Ω] resistor between positive and negative lines of each receiver input.

2. Refer to LVDS Transmitter Data Sheet for detail descriptions. (THC63LVD103 or Compatible)

3. '9' means MSB and '0' means LSB at R,G,B pixel data.

APPENDIX- III-2

■ Required signal assignment for Flat Link (Thine : THC63LVD103) Transmitter(Pin7= "H")



Note :1. The LCD module uses a 100 Ohm[Ω] resistor between positive and negative lines of each receiver input.

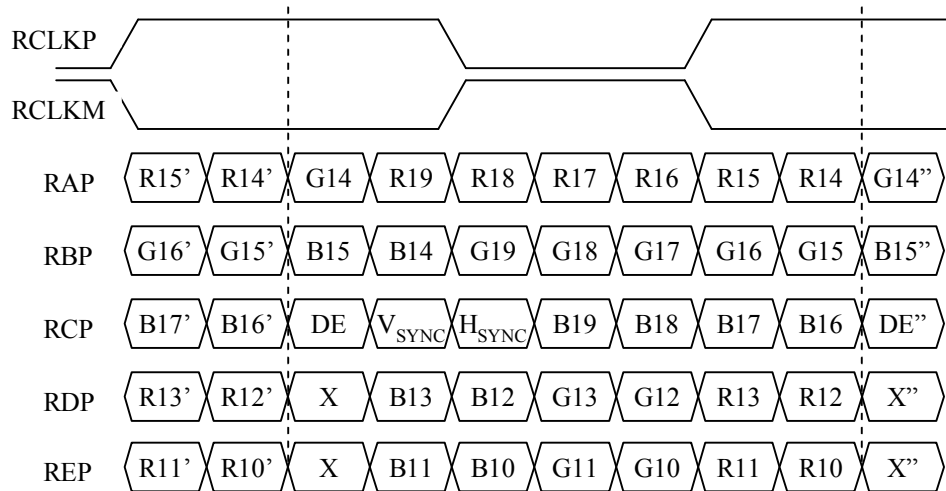
2. Refer to LVDS Transmitter Data Sheet for detail descriptions. (THC63LVD103 or Compatible)

3. '9' means MSB and '0' means LSB at R,G,B pixel data.

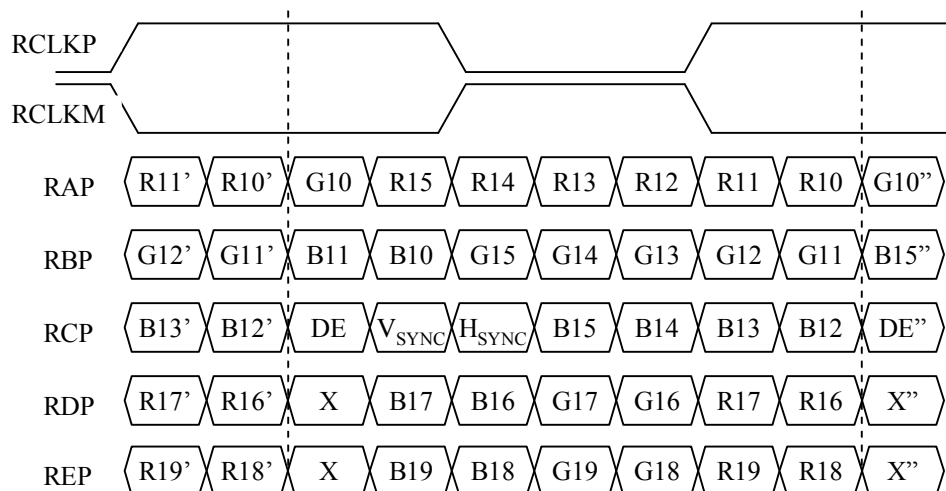
APPENDIX- IV

■ LVDS Data-Mapping Information (10 Bit)

1) LVDS Select : "H" Data-Mapping (JEIDA format)



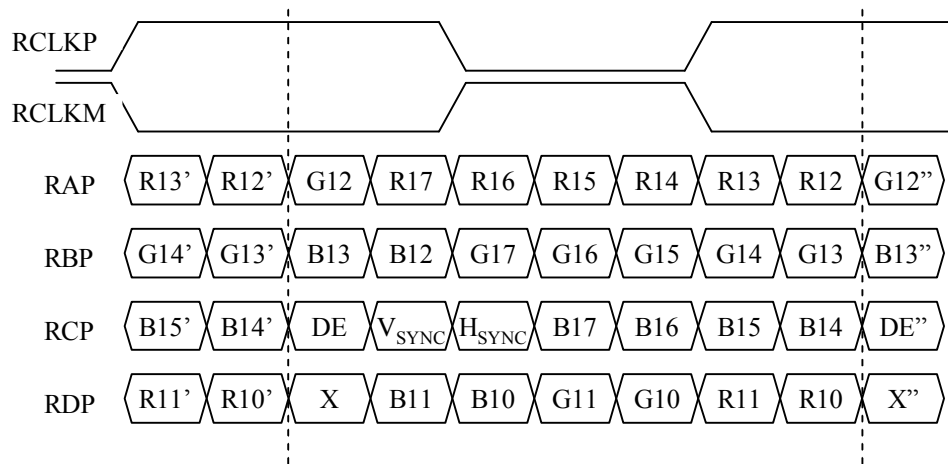
2) LVDS Select : "L" Data-Mapping (VESA format)



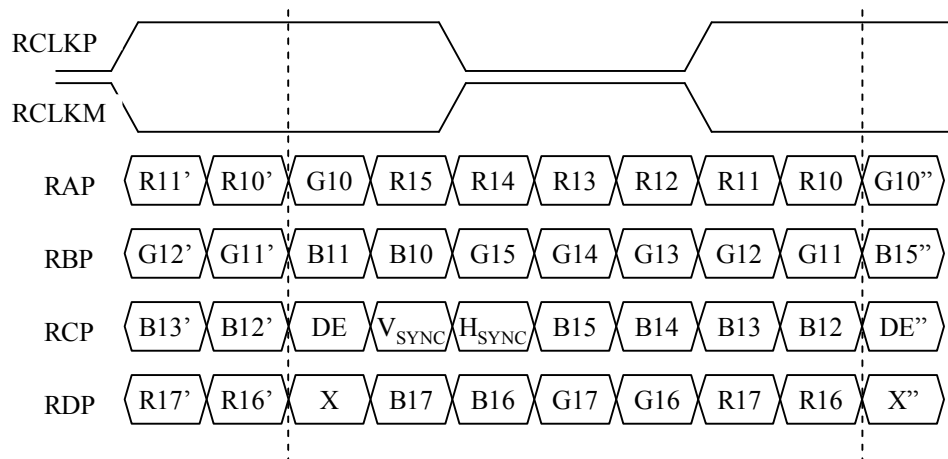
APPENDIX- IV

■ LVDS Data-Mapping Information (8 Bit)

1) LVDS Select : "H" Data-Mapping (JEIDA format)

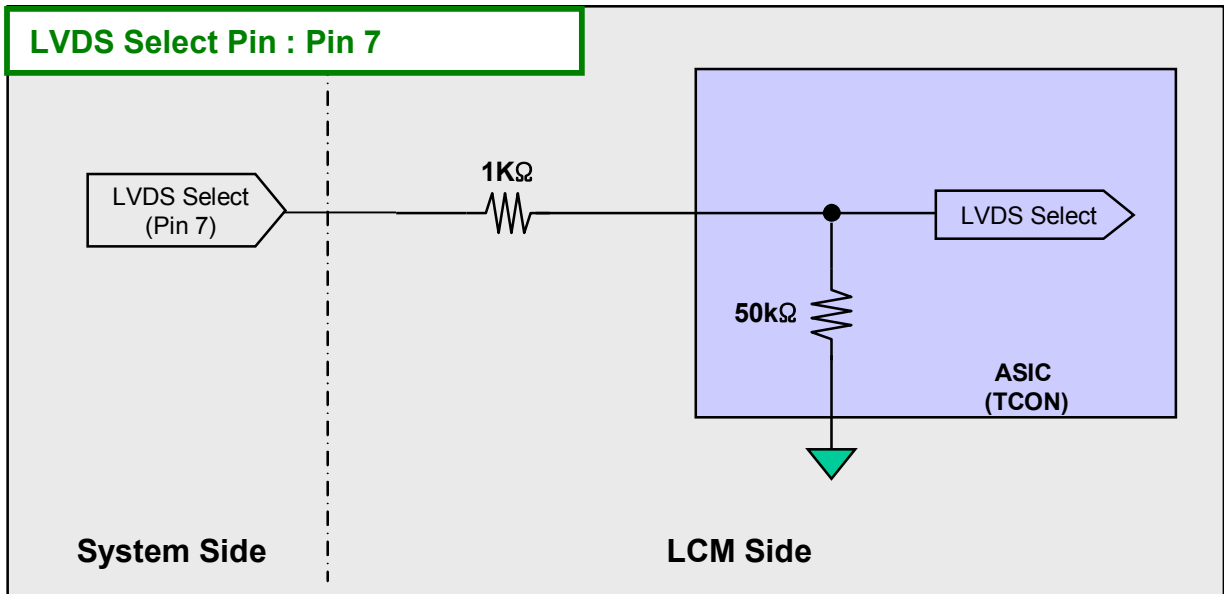


2) LVDS Select : "L" Data-Mapping (VESA format)



APPENDIX- V

■ Option Pin Circuit Block Diagram

1) Circuit Block Diagram of **LVDS Format** Selection pin2) Circuit Block Diagram of **Bit** Selection pin