

## ***TFT-Display Datenblatt***

Modell LD101WX1-SL01

### **Kurzdaten**

Hersteller	LG Display
Diagonale	10,1" / 25,6 cm
Format	wide
Auflösung	1280 x 800
Backlight	LED / 400 cd/m <sup>2</sup>
Interface	LVDS
Touchscreen	nein
Temperatur	0... +50°C (Betrieb)



Product Specification

# SPECIFICATION FOR APPROVAL

- ( ) Preliminary Specification
- ( ● ) Final Specification

Title	10.1" WX TFT LCD
-------	------------------

Customer	
MODEL	

SUPPLIER	LG Display Co., Ltd.
*MODEL	LD101WX1
Suffix	SL01

\*When you obtain standard approval,  
please use the above model name without suffix

APPROVED BY	SIGNATURE
/	_____
/	_____
/	_____

Please return 1 copy for your confirmation with your signature and comments.

APPROVED BY	SIGNATURE
_____	_____
<b>REVIEWED BY</b>	
_____	_____
<b>PREPARED BY</b>	
_____	_____

Products Engineering Dept.  
LG Display Co., Ltd

## Product Specification

## Contents

No	ITEM	Page
	COVER	1
	CONTENTS	2
	RECORD OF REVISIONS	3
1	GENERAL DESCRIPTION	4
2	ABSOLUTE MAXIMUM RATINGS	5
3	ELECTRICAL SPECIFICATIONS	
3-1	ELECTRICAL CHARACTERISTICS	6
3-2	INTERFACE CONNECTION	8
3-3	LVDS SIGNAL TIMING SPECIFICATIONS	9
3-4	SIGNAL TIMING SPECIFICATIONS	11
3-5	SIGNAL TIMING WAVEFORMS	11
3-6	COLOR INPUT DATA REFERNECE	12
3-7	POWER SEQUENCE	13
4	OPTICAL SPECIFICATIONS	14
5	MECHANICAL CHARACTERISTICS	17
6	RELIABILITY	20
7	INTERNATIONAL STANDARDS	
7-1	SAFETY	21
7-2	EMC	21
8	PACKING	
8-1	DESIGNATION OF LOT MARK	22
8-2	PACKING FORM	22
9	PRECAUTIONS	23
A	APPENDIX. Enhanced Extended Display Identification Data	25

## Product Specification

**RECORD OF REVISIONS**

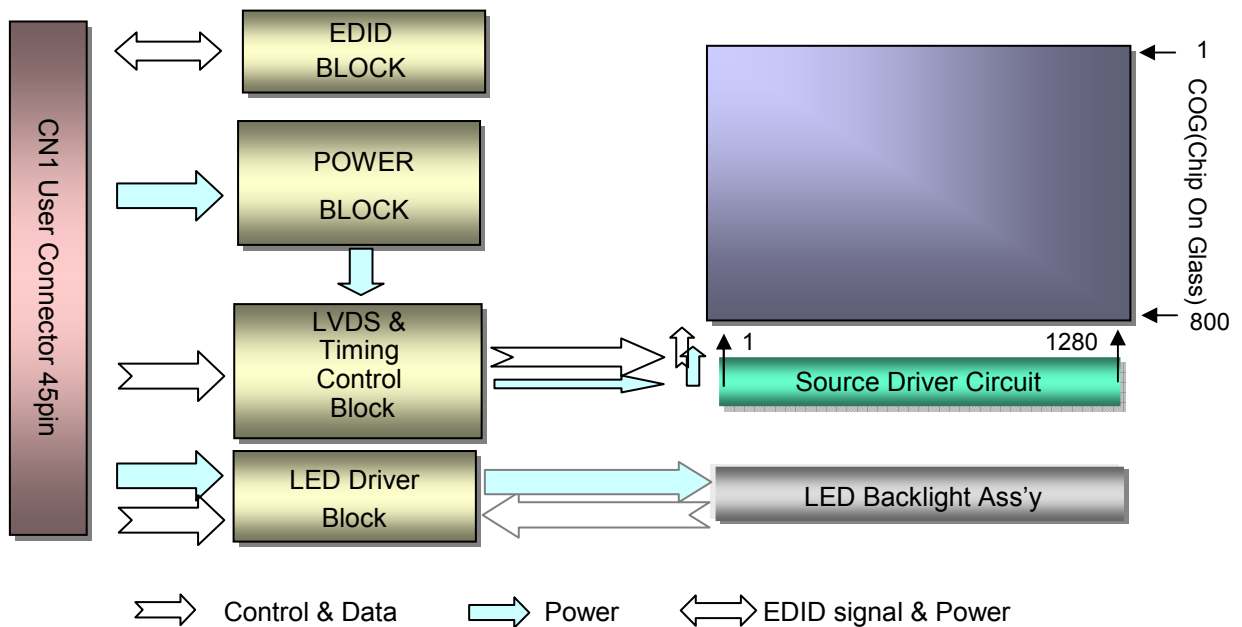
Revision No	Revision Date	Page	Description	EDID ver
0.0	Mar. 15, 2012	All	First Draft (Preliminary Specification)	
0.2	Jul. 31, 2012	8	3-2. Interface connections, - add connector header's part name	
		13	3-7. Power sequence for LCD, - revised sequence of LED input voltage	
0.3	Aug. 21, 2012	4	1. General description, - Power consumption: Total 3.13W → 3.02W	
		20	6. Reliability - added high temperature & humidity test condition, revised high temperature test condition	
0.4	Sep.16.2012	19	5. Mechanical Characteristics(REAR VIEW_LCM) - Change the Format of Serial Label (2D→1D)	
0.5	Mar.04.2013	17	5. Mechanical Characteristics - Change the weight of LCM(145g Max. →176g Max.)	
		19	5. Mechanical Characteristics(REAR VIEW_LCM) - Change the shape of cut out hole	

Product Specification

1. General Description

The LD101WX1 is a Color Active Matrix Liquid Crystal Display with an integral LED backlight system. The matrix employs a-Si Thin Film Transistor as the active element. It is a transmissive type display operating in the normally black mode. This TFT-LCD has 10.1 inches diagonally measured active display area with WXGA resolution (1280 horizontal by 800 vertical pixel array). Each pixel is divided into Red, Green and Blue sub-pixels or dots which are arranged in vertical stripes. Gray scale or the brightness of the sub-pixel color is determined with a 6bit + 2bit FRC gray scale signal for each dot, thus, presenting a palette of 16,777,216 colors. The LD101WX1 has been designed to apply the interface method that enables low power, high speed, low EMI. The LD101WX1 is intended to support applications where thin thickness, low power are critical factors and graphic displays are important. In combination with the vertical arrangement of the sub-pixels, the LD101WX1 characteristics provide an excellent flat display.

The LCD Module is standard Industrial product which occurs possibility of Lamination Mura when using Direct bonding type Touch and cannot be modified In order prevent Mura. Lamination Mura require Pre-Matching with LCD module when Touch setting on set side.



General Features

Active Screen Size	10.1 inches diagonal
Outline Dimension	LCD : 228.96(H) × 148.5(V) x 2.5(D,Max), 4.8(D,Max. W/PCB) mm
Pixel Pitch	0.1695mm × 0.1695 mm
Pixel Format	1280 horiz. By 800 vert. Pixels RGB strip arrangement
Color Depth	6-bit + FPC, 16.7M colors
Luminance, White	400 cd/m <sup>2</sup> (Typ.) / 320cd/m <sup>2</sup> (min.)
Power Consumption	Total 3.02 W (typ.) (Logic : 0.6 W (typ. @ Mosaic), B/L : 2.42W
Weight	145g (Max.)
Display Operating Mode	Transmissive mode, normally Black
Surface Treatment	Hard coat on polarizer
RoHS Compliance	Yes

Product Specification

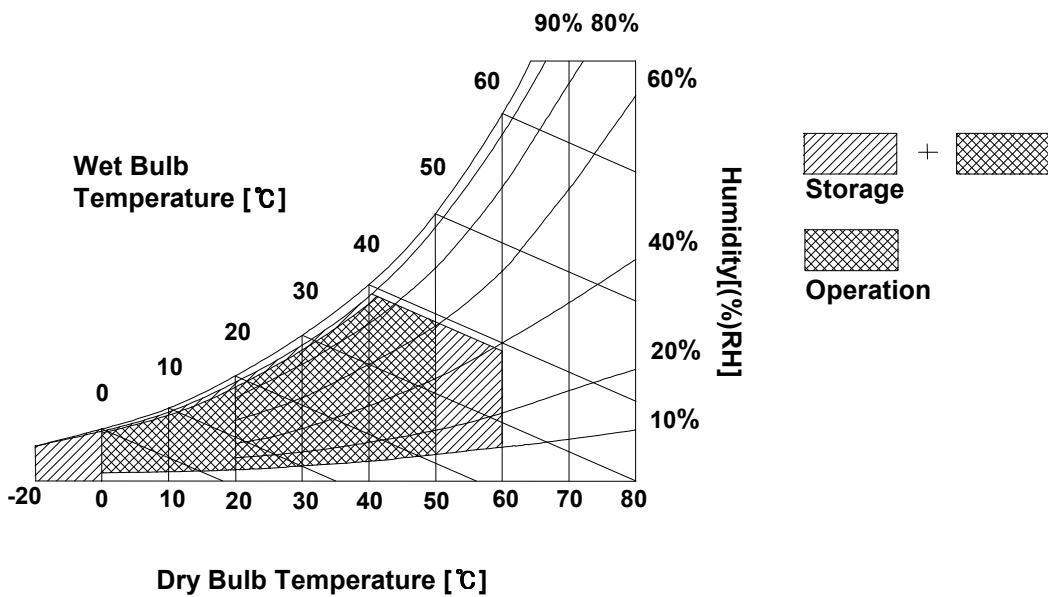
## 2. Absolute Maximum Ratings

The following are maximum values which, if exceeded, may cause faulty operation or damage to the unit.

**Table 1. ABSOLUTE MAXIMUM RATINGS**

Parameter	Symbol	Values		Units	Notes
		Min	Max		
Power Input Voltage	VCC	-0.3	4.0	Vdc	at 25 ± 5°C
Operating Temperature	TOP	0	50	°C	1
Storage Temperature	HST	-20	60	°C	1

Note : 1. Temperature and relative humidity range are shown in the figure below.  
Wet bulb temperature should be 39°C Max, and no condensation of water.



### 3. Electrical Specifications

#### 3-1. Electrical Characteristics

The LD101WX1 requires two power inputs. One is employed to power the LCD electronics and to drive the TFT array and liquid crystal. The second input which powers the LED BL.

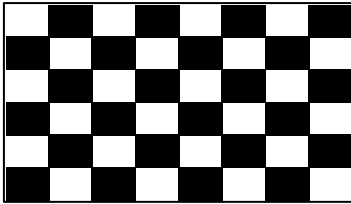
**Table 2. ELECTRICAL CHARACTERISTICS**

Parameter	Symbol	Values			Unit	Notes
		Min	Typ	Max		
LOGIC :						
Power Supply Input Voltage	VCC	3.0	3.3	3.6	V	1
Power Supply Input Current	Mosaic ICC	-	181	208	mA	2
Power Consumption	PCC	-	0.6	0.69	W	2
Power Supply Inrush Current	ICC_P	-	1500	3000	mA	
LVDS Impedance	ZLVDS	90	100	110	Ω	3
BACKLIGHT : ( with LED Driver)						
LED Power Input Voltage	VDD+(VLED)	7	12	15	V	4
LED Power Input Current	ILED	-	202	205	mA	5
LED Power Consumption	PLED	-	2.42	2.46	W	5
LED Power Inrush Current	ILED_P	-		3000	mA	6
PWM Duty Ratio		5	-	100	%	7
PWM Jitter	-	0	-	0.2	%	8
PWM Frequency	FPWM	100	-	20000	Hz	
PWM High Level Voltage	LED_PWM_H	3.0	3.3	3.6	V	
PWM Low Level Voltage	LED_PWM_L		0		V	Ground
LED_EN High Voltage	LED_EN_H	3.0	3.3	3.6	V	
LED_EN Low Voltage	LED_EN_L		0		V	Ground

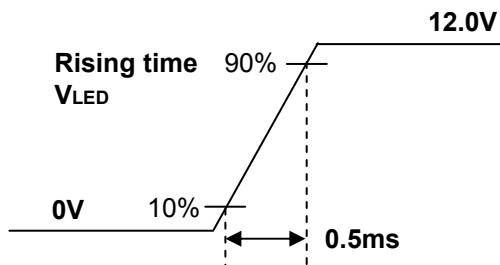
Product Specification

Note)

1. The measuring position is the connector of LCM and the test conditions are under 25 °C , fv = 60Hz, Black pattern.
2. The specified Icc current and power consumption are under the Vcc = 3.3V , 25 °C , fv = 60Hz condition and Mosaic pattern.



3. This impedance value is needed for proper display and measured from LVDS Tx to the mating connector.
4. The measuring position is the connector of LCM and the test conditions are under 25 °C .
5. The current and power consumption with LED Driver are under the Vled = 3.0V , 25 °C , Dimming of Max luminance and White pattern with the normal frame frequency operated(60Hz).
6. The below figures are the measuring Vled condition and the Vled control block LGD used.  
VLED control block is same with Vcc control block.



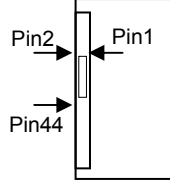
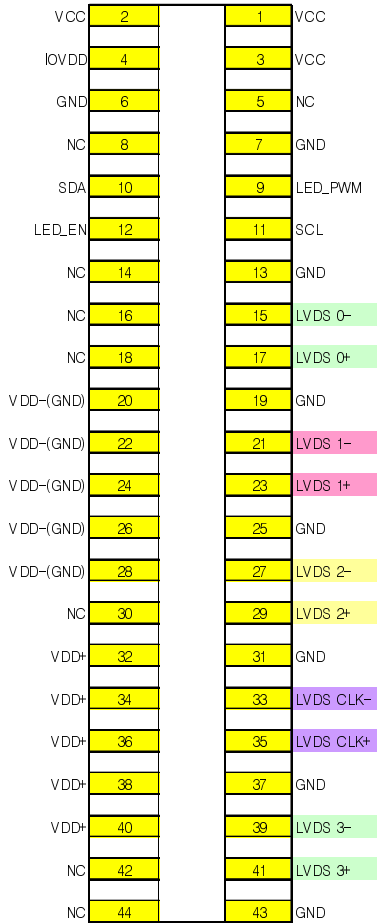
7. The operation of LED Driver below minimum dimming ratio may cause flickering or reliability issue. The PWM resolution is 8bit (256 step).
8. This Spec. is not effective at 100% dimming ratio as an exception because it has DC level equivalent to 0Hz. In spite of acceptable range as defined, the PWM Frequency should be fixed and stable for more consistent brightness control at any specific level desired.



Product Specification

### 3-2. Interface Connections

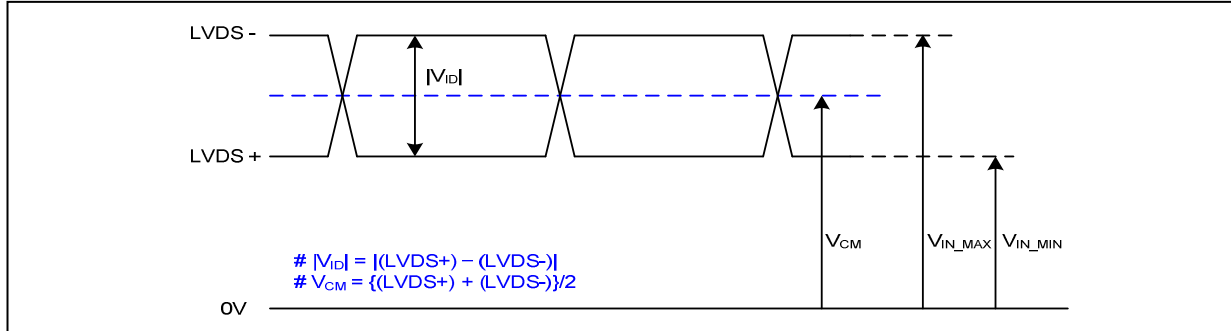
This LCD employs two interface connections, a 44 pin connector used for the module electronics interface and the other connector used for the integral backlight system.

Pin	Symbol	Description	Notes
1	VCC	LCD Logic and driver power(3.3V)	<b>[Connector]</b> Socket(LGD): Panasonic AXE54412 Header: Panasonic AXE644124
2	VCC	LCD Logic and driver power(3.3V)	
3	VCC	LCD Logic and driver power(3.3V)	
4	IOVDD	Power supply for EDID (3.3V)	
5	NC	No connection	<b>[Connector pin arrangement]</b> 
6	GND	Ground	
7	GND	Ground	
8	NC	No connection	
9	LED_PWM	Back light LED driver PWM (equal to IOVDD level)	<b>[LCD Module Rear View]</b> 
10	SDA	DDC Data (Only for EDID) (equal to IOVDD level)	
11	SCL	DDC clock (Only for EDID) (equal to IOVDD level)	
12	LED_EN	LED enable input level (equal to IOVDD level)	
13	GND	Ground	
14	NC	NC	
15	LVDS 0-	LVDS0 data negative signal	
16	NC	NC	
17	LVDS 0+	LVDS0 data positive signal	
18	NC	No connection	
19	GND	Ground	
20	VDD-	Ground	
21	LVDS 1-	LVDS1 data negative signal	
22	VDD-	Ground	
23	LVDS 1+	LVDS1 data positive signal	
24	VDD-	Ground	
25	GND	Ground	
26	VDD-	Ground	
27	LVDS 2-	LVDS2 data negative signal	
28	VDD-	Ground	
29	LVDS 2+	LVDS2 data positive signal	
30	NC	No connection	
31	GND	Ground	
32	VDD+	Power supply for LED (12V)	
33	LVDS CLK-	LVDS Clock negative signal	
34	VDD+	Power supply for LED (12V)	
35	LVDS CLK+	LVDS Clock positive signal	
36	VDD+	Power supply for LED (12V)	
37	GND	Ground	
38	VDD+	Power supply for LED (12V)	
39	LVDS 3-	LVDS3 data negative signal	
40	VDD+	Power supply for LED (12V)	
41	LVDS 3+	LVDS3 data positive signal	
42	NC	No connection (LGD Only)	
43	GND	Ground	
44	NC	No connection (LGD Only)	

Product Specification

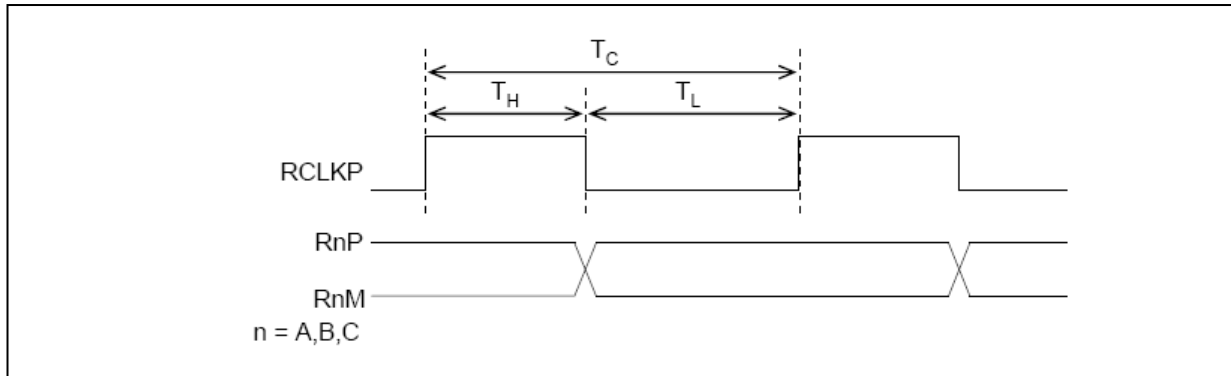
3-3. LVDS Signal Timing Specifications

3-3-1. DC Specification



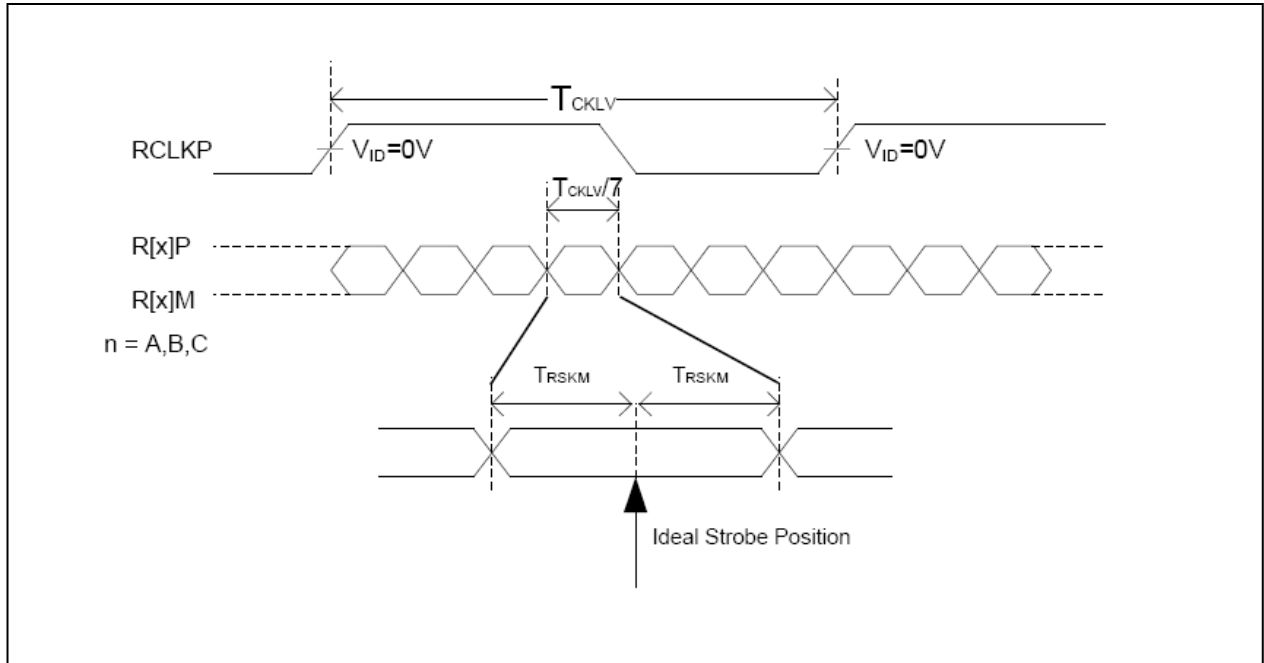
Description	Symbol	Min	Max	Unit	Notes
LVDS Differential Voltage	$ V_{ID} $	200	600	mV	-
LVDS Common mode Voltage	$V_{CM}$	0.6	1.8	V	-
LVDS Input Voltage Range	$V_{IN}$	0.3	2.1	V	-

3-3-2. AC Specification



Description	Symbol	Min	Max	Unit	Notes
Clock Frequency	$F_{CLKLV}$	25	85	MHz	
Input Clock High Period	$T_H$	0.43	0.57	$T_C$	-
Input Clock Low Period	$T_L$	0.43	0.57	$T_C$	-
LVDS Rx Skew Margin	$t_{TRSKM}$	400	-	ps	$85\text{MHz} \geq F_{clk} > 60\text{MHz}$
	$t_{TRSKM}$	600	-	ps	$60\text{MHz} \geq F_{clk} \geq 25\text{MHz}$

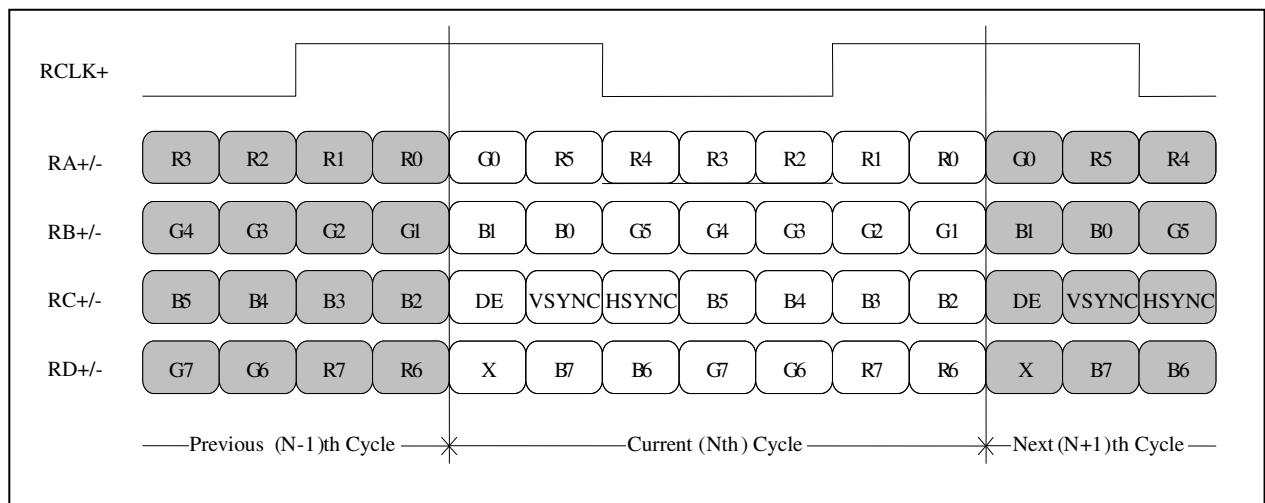
Product Specification



< LVDS input Skew timing >

3-3-3. Data Format

- LVDS 1 Port



< LVDS Data Format >

Product Specification

3-4. Signal Timing Specifications

This is the signal timing required at the input of the User connector. All of the interface signal timing should be satisfied with the following specifications and specifications of LVDS Tx /Rx for its proper operation.

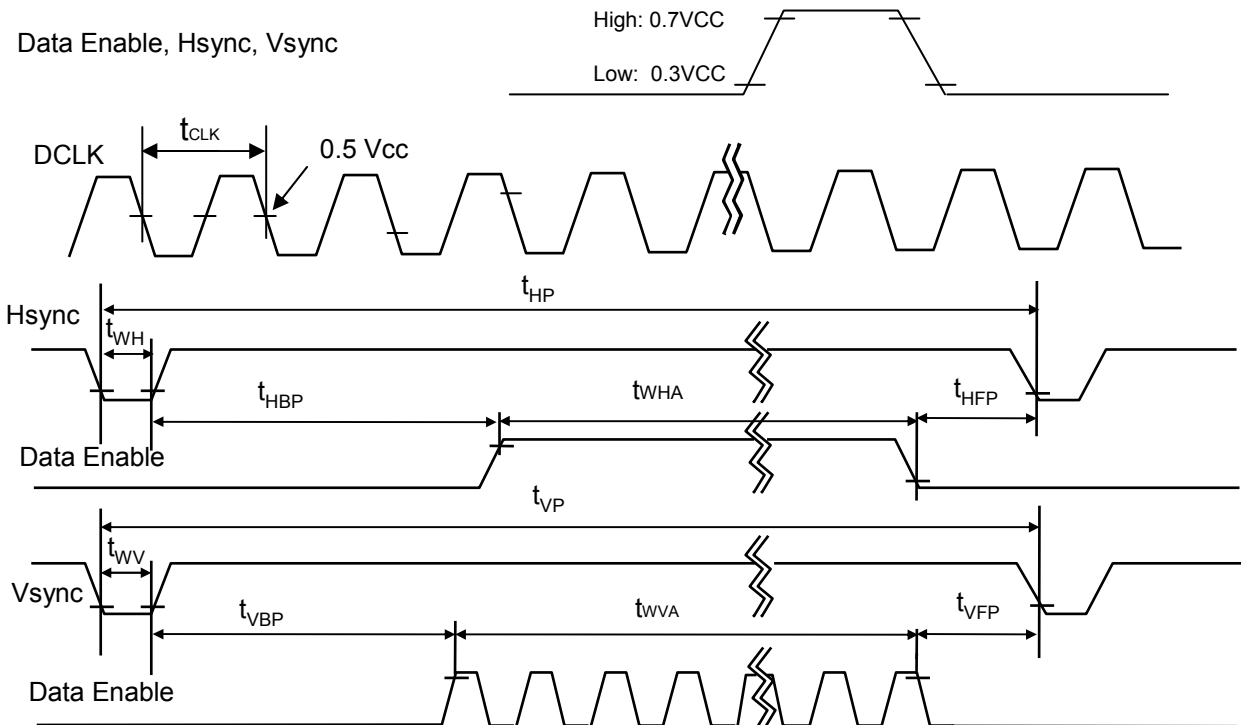
Table 5. TIMING TABLE

ITEM	Symbol	Min	Typ	Max	Unit	Note
DCLK	Frequency	$f_{CLK}$	67.5	71.0	74.5	MHz
Hsync	Period	$T_{hp}$	1366	1440	1488	tCLK
	Width	$t_{WH}$	16	32	48	
	Width-Active	$t_{WHA}$	1280	1280	1280	
Vsync	Period	$t_{VP}$	811	822	847	tHP
	Width	$t_{WV}$	3	6	9	
	Width-Active	$t_{WVA}$	800	800	800	
Data Enable	Horizontal back porch	$t_{HBP}$	54	80	98	tCLK
	Horizontal front porch	$t_{HFP}$	16	48	62	
	Vertical back porch	$t_{VBP}$	7	14	35	tHP
	Vertical front porch	$t_{VFP}$	1	2	3	

3-5. Signal Timing Waveforms

Condition : VCC = 3.3V

Data Enable, Hsync, Vsync



Product Specification

### 3-6. Color Input Data Reference

The brightness of each primary color (red, green and blue) is based on the 8-bit gray scale data input for the color ; the higher the binary input, the brighter the color. The table below provides a reference for color versus data input.

**Table 7. COLOR DATA REFERENCE**

Colors & Gray Scale	Gray Scale Levels	Data Signal																											
		RED								GREEN								BLUE											
		R0	R1	R2	R3	R4	R5	R6	R7	G0	G1	G2	G3	G4	G5	G6	G7	B0	B1	B2	B3	B4	B5	B6	B7				
Black	--	0	0	0	0	0	0	0	0	0	0	0	0	0	0	0	0	0	0	0	0	0	0	0	0	0	0	0	0
Blue	--	0	0	0	0	0	0	0	0	0	0	0	0	0	0	0	0	1	1	1	1	1	1	1	1	1	1	1	1
Green	--	0	0	0	0	0	0	0	0	1	1	1	1	1	1	1	1	0	0	0	0	0	0	0	0	0	0	0	0
Cyan	--	0	0	0	0	0	0	0	0	1	1	1	1	1	1	1	1	1	1	1	1	1	1	1	1	1	1	1	1
Red	--	1	1	1	1	1	1	1	1	0	0	0	0	0	0	0	0	0	0	0	0	0	0	0	0	0	0	0	0
Magenta	--	1	1	1	1	1	1	1	1	0	0	0	0	0	0	0	0	1	1	1	1	1	1	1	1	1	1	1	1
Yellow	--	1	1	1	1	1	1	1	1	1	1	1	1	1	1	1	1	0	0	0	0	0	0	0	0	0	0	0	0
White	--	1	1	1	1	1	1	1	1	1	1	1	1	1	1	1	1	1	1	1	1	1	1	1	1	1	1	1	1
Black	R0	0	0	0	0	0	0	0	0	0	0	0	0	0	0	0	0	0	0	0	0	0	0	0	0	0	0	0	0
Darker	R1	1	0	0	0	0	0	0	0	0	0	0	0	0	0	0	0	0	0	0	0	0	0	0	0	0	0	0	0
	R2	0	1	0	0	0	0	0	0	0	0	0	0	0	0	0	0	0	0	0	0	0	0	0	0	0	0	0	0
		:	:	:	:	:	:	:	:	:	:	:	:	:	:	:	:	:	:	:	:	:	:	:	:	:	:	:	:
Brighter		:	:	:	:	:	:	:	:	:	:	:	:	:	:	:	:	:	:	:	:	:	:	:	:	:	:	:	:
	R253	1	0	1	1	1	1	1	1	0	0	0	0	0	0	0	0	0	0	0	0	0	0	0	0	0	0	0	0
	R254	0	1	1	1	1	1	1	1	0	0	0	0	0	0	0	0	0	0	0	0	0	0	0	0	0	0	0	0
Red	R255	1	1	1	1	1	1	1	1	0	0	0	0	0	0	0	0	0	0	0	0	0	0	0	0	0	0	0	0
Black	G0	0	0	0	0	0	0	0	0	0	0	0	0	0	0	0	0	0	0	0	0	0	0	0	0	0	0	0	0
Darker	G1	0	0	0	0	0	0	0	0	1	0	0	0	0	0	0	0	0	0	0	0	0	0	0	0	0	0	0	0
	G2	0	0	0	0	0	0	0	0	0	1	0	0	0	0	0	0	0	0	0	0	0	0	0	0	0	0	0	0
		:	:	:	:	:	:	:	:	:	:	:	:	:	:	:	:	:	:	:	:	:	:	:	:	:	:	:	:
Brighter		:	:	:	:	:	:	:	:	:	:	:	:	:	:	:	:	:	:	:	:	:	:	:	:	:	:	:	:
	G253	0	0	0	0	0	0	0	0	1	0	1	1	1	1	1	1	0	0	0	0	0	0	0	0	0	0	0	0
	G254	0	0	0	0	0	0	0	0	0	1	1	1	1	1	1	1	0	0	0	0	0	0	0	0	0	0	0	0
Green	G255	0	0	0	0	0	0	0	0	1	1	1	1	1	1	1	1	0	0	0	0	0	0	0	0	0	0	0	0
Black	B0	0	0	0	0	0	0	0	0	0	0	0	0	0	0	0	0	0	0	0	0	0	0	0	0	0	0	0	0
Darker	B1	0	0	0	0	0	0	0	0	0	0	0	0	0	0	0	0	1	0	0	0	0	0	0	0	0	0	0	0
	B2	0	0	0	0	0	0	0	0	0	0	0	0	0	0	0	0	0	1	0	0	0	0	0	0	0	0	0	0
		:	:	:	:	:	:	:	:	:	:	:	:	:	:	:	:	:	:	:	:	:	:	:	:	:	:	:	:
Brighter		:	:	:	:	:	:	:	:	:	:	:	:	:	:	:	:	:	:	:	:	:	:	:	:	:	:	:	:
	B253	0	0	0	0	0	0	0	0	0	0	0	0	0	0	0	0	1	0	1	1	1	1	1	1	1	1	1	1
	B254	0	0	0	0	0	0	0	0	0	0	0	0	0	0	0	0	0	1	1	1	1	1	1	1	1	1	1	1
Blue	B255	0	0	0	0	0	0	0	0	0	0	0	0	0	0	0	0	1	1	1	1	1	1	1	1	1	1	1	1

### 3-7. Power Sequence for LCD

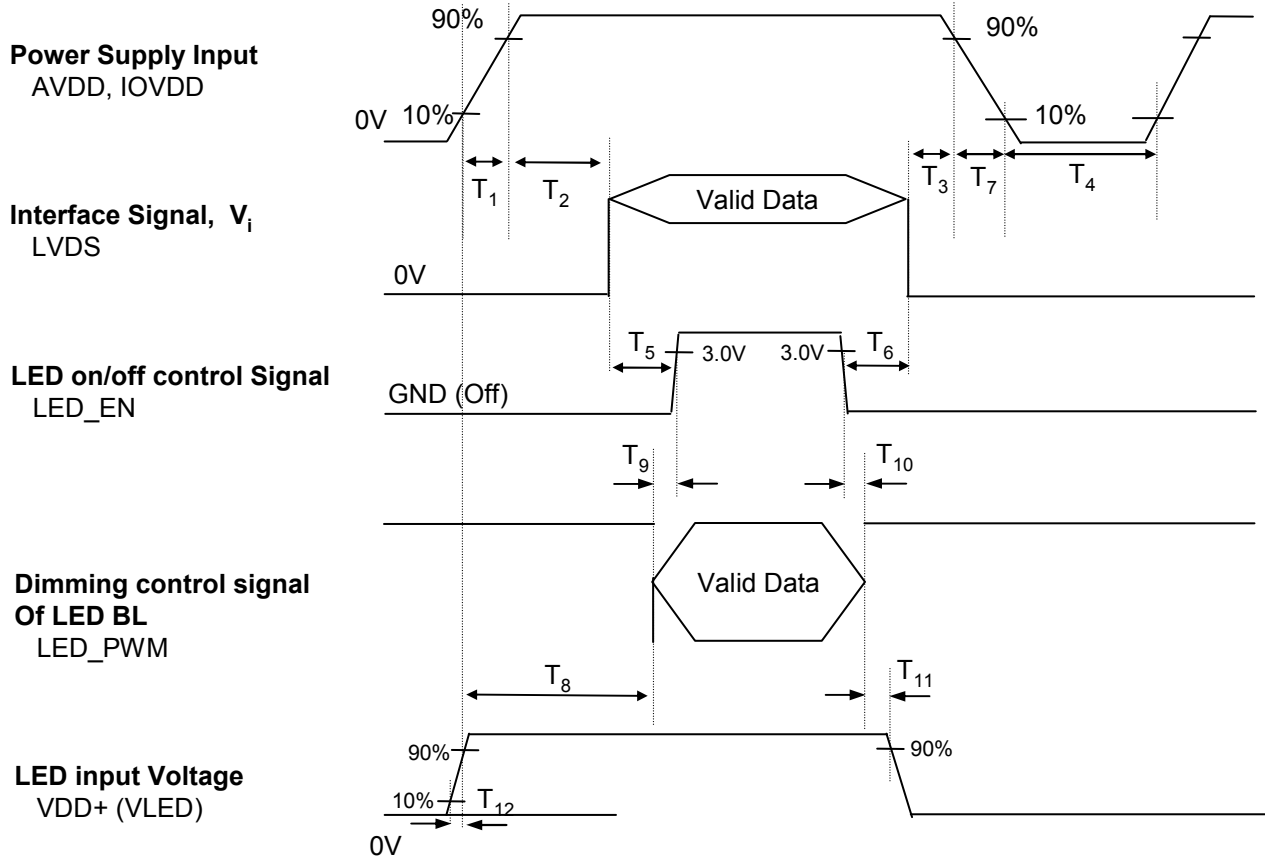


Table 6. POWER SEQUENCE TABLE

Logic Parameter	Value			Units	LED Parameter	Value			Units
	Min.	Typ.	Max.			Min.	Typ.	Max.	
T <sub>1</sub>	0.5	-	10	ms	T <sub>8</sub>	10	-	-	ms
T <sub>2</sub>	0	-	50	ms	T <sub>9</sub>	0	-	-	ms
T <sub>3</sub>	0	-	50	ms	T <sub>10</sub>	0	-	-	ms
T <sub>4</sub>	400	-	-	ms	T <sub>11</sub>	10	-	-	ms
T <sub>5</sub>	300	-	-	ms	T <sub>12</sub>	0.5	-	-	ms
T <sub>6</sub>	200	-	-	ms					
T <sub>7</sub>	3	-	10	ms					

Note)

- Do not insert the mating cable when system turn on.
- Valid Data have to meet "3-3. LVDS Signal Timing Specifications"
- LVDS, LED\_EN and PWM need to be on pull-down condition on invalid status.  
low status of LED\_EN needs to be set as ground. Floating LED\_EN makes LED\_EN high at the same time with AVDD rising time
- If wave form is not served as PWM, PWM keeps status as a high level.

Product Specification

4. Optical Specification

Optical characteristics are determined after the unit has been 'ON' and stable for approximately 30 minutes in a dark environment at 25°C. The values specified are at an approximate distance 50cm from the LCD surface at a viewing angle of  $\Phi$  and  $\Theta$  equal to 0°.

FIG. 1 presents additional information concerning the measurement equipment and method.

FIG. 1 Optical Characteristic Measurement Equipment and Method

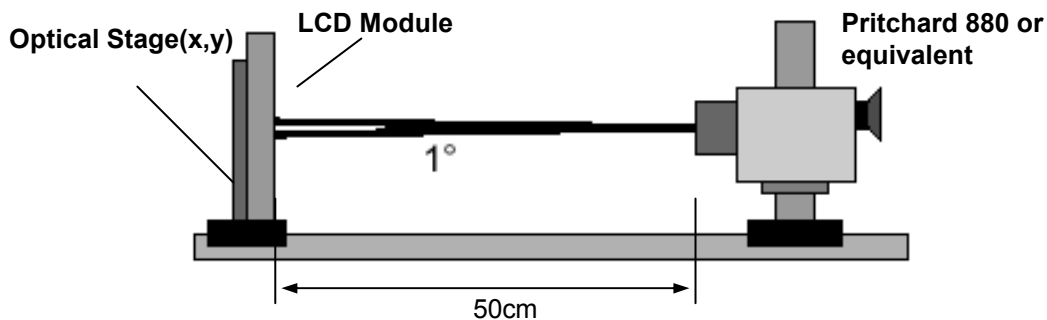


Table 8. OPTICAL CHARACTERISTICS

Ta=25°C, VCC=3.3V, fv=60Hz, fCLK= 69.4 MHz

Parameter	Symbol	Values			Units	Notes
		Min	Typ	Max		
Contrast Ratio	CR	500	700	-		1
Surface Luminance, white	L <sub>WH</sub>	320	400	-	cd/m <sup>2</sup>	2
Luminance Variation	$\delta_{\theta}$	70	80	-		3
Response Time	T <sub>R</sub> + T <sub>D</sub>	-	35	50	ms	4
Color Coordinates(w/o TSP)						
RED	RX	0.560	0.595	0.630		
	RY	0.317	0.352	0.387		
GREEN	GX	0.300	0.335	0.370		
	GY	0.525	0.560	0.595		
BLUE	BX	0.121	0.156	0.191		
	BY	0.084	0.119	0.154		
WHITE	WX	0.275	0.310	0.345		
	WY	0.290	0.325	0.360		
Viewing Angle						
x axis, right( $\Phi=0^\circ$ )	$\Theta_r$	85	-	-	degree	5
x axis, left ( $\Phi=180^\circ$ )	$\Theta_l$	85	-	-	degree	
y axis, up ( $\Phi=90^\circ$ )	$\Theta_u$	85	-	-	degree	
y axis, down ( $\Phi=270^\circ$ )	$\Theta_d$	85	-	-	degree	
Gray Scale			2.2			

## Product Specification

Note)

1. Contrast Ratio(CR) is defined mathematically as

$$\text{Contrast Ratio} = \frac{\text{Surface Luminance with all white pixels}}{\text{Surface Luminance with all black pixels}}$$

2. Surface luminance is the center point across the LCD surface 50cm from the surface with all pixels displaying white.

3. Luminance % uniformity is measured for 9 point For more information see FIG 2..

$$\delta 9 = \frac{\text{Minimum}(L1,L2, \dots L9)}{\text{Maximum}(L1,L2, \dots L9)}$$

4. Response time is the time required for the display to transition from white to black (rise time,  $Tr_R$ ) and from black to white(Decay Time,  $Tr_D$ ). For additional information see FIG 3.

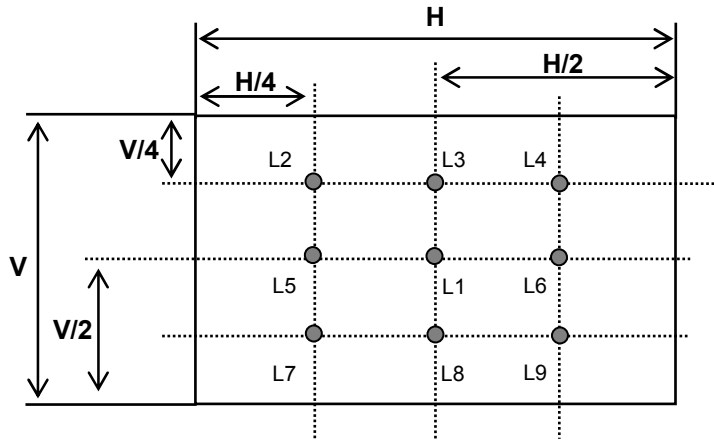
5. Viewing angle is the angle at which the contrast ratio is greater than 10. The angles are determined for the horizontal or x axis and the vertical or y axis with respect to the z axis which is normal to the LCD surface. For more information see FIG 4.



Product Specification

**FIG. 2 Luminance**

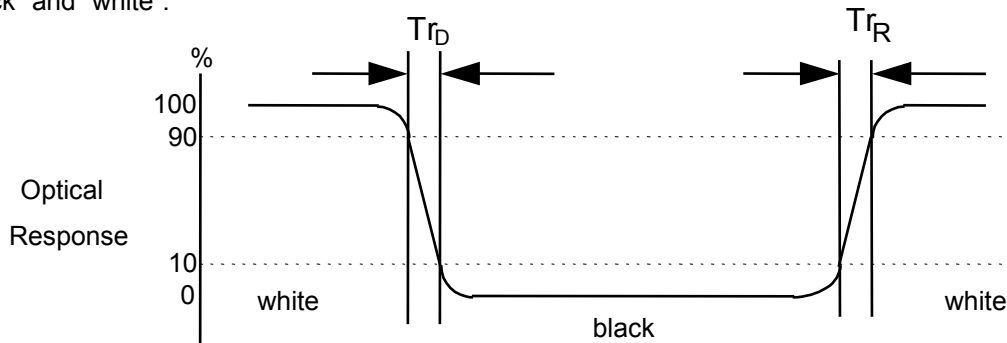
<measuring point for surface luminance & measuring point for luminance variation>



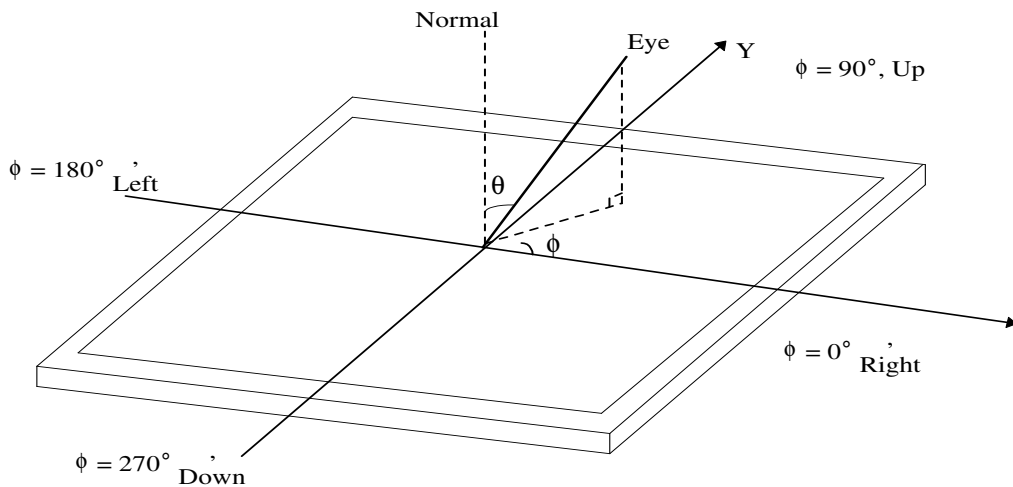
\*H,V : ACTIVE AREA

**FIG. 3 Response Time**

The response time is defined as the following figure and shall be measured by switching the input signal for "black" and "white".



**FIG. 4 Viewing angle**



## Product Specification

## 5. Mechanical Characteristics

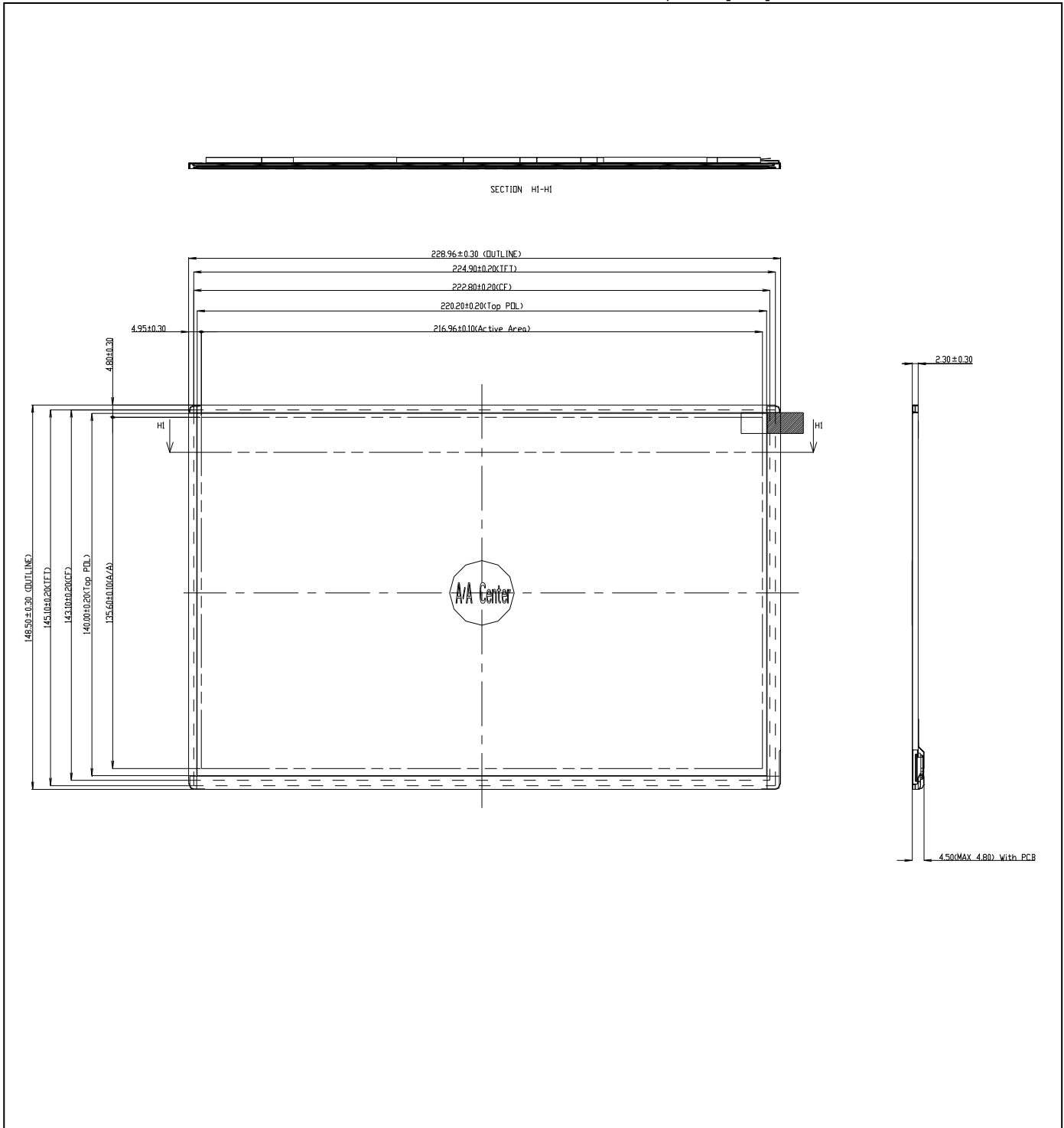
The contents provide general mechanical characteristics for the model LD101WX1. In addition the figures in the next page are detailed mechanical drawing of the LCD.

Outline Dimension	Horizontal	228.96 ± 0.2mm
	Vertical	148.5 ± 0.2mm
	Thickness	2.50mm (max), 4.8mm w/ PCB (max)
Active Display Area	Horizontal	216.96 mm
	Vertical	135.60 mm
Weight	176g (Max.)	
Surface Treatment	Hard coating	

Product Specification

<FRONT VIEW\_LCM>

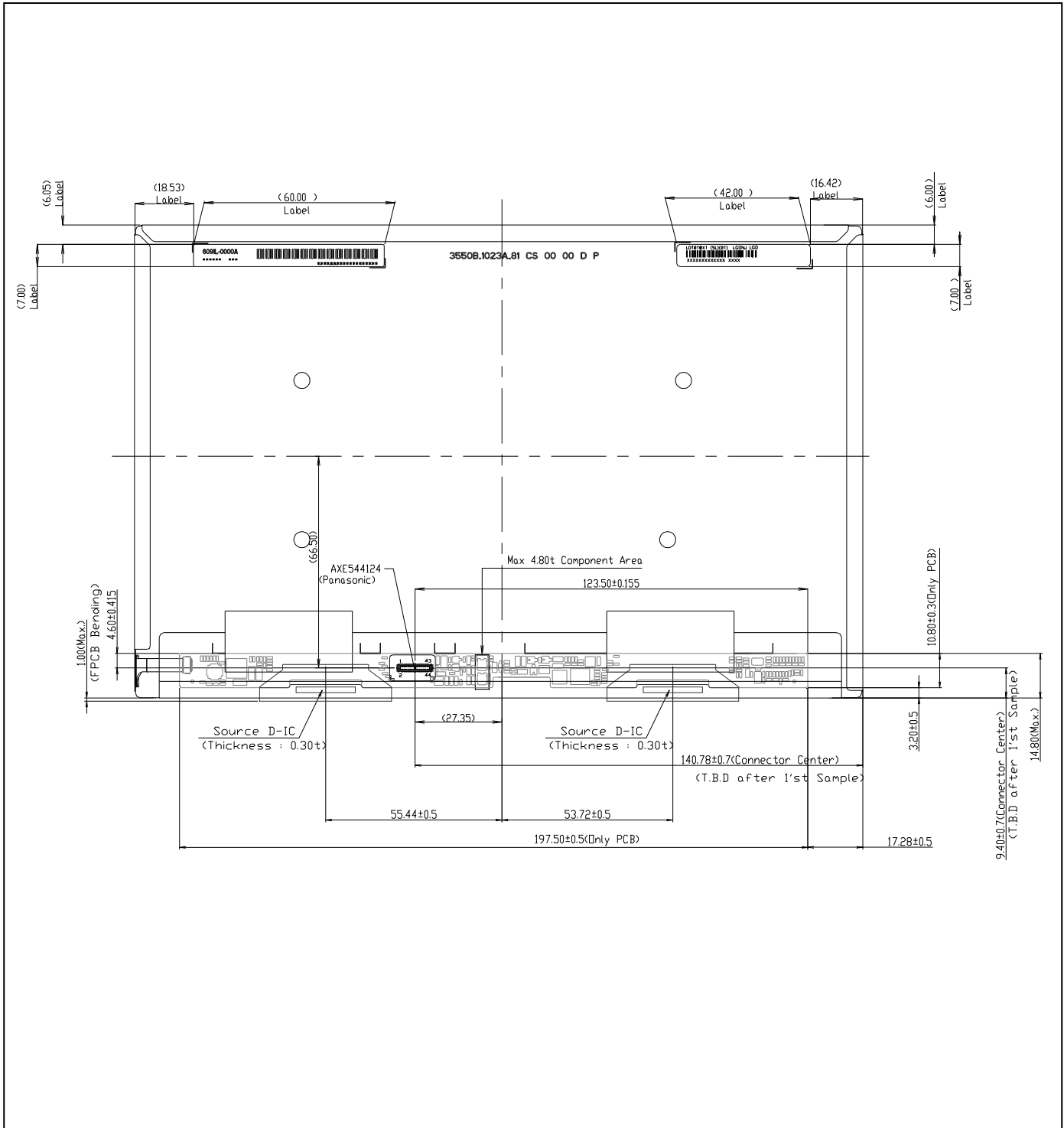
Note) Unit: [mm], General tolerance:  $\pm 0.3$ mm



Product Specification

<REAR VIEW\_LCM>

Note) Unit: [mm], General tolerance: ± 0.3mm



## Product Specification

## 6. Reliability

Environment test condition

No.	Test Item	Conditions
1	High temperature storage test	Ta= 60°C, 240h
2	Low temperature storage test	Ta= -20°C, 240h
3	High temperature operation test	Ta= 50°C, 240h
4	High temperature & Humidity operation test	Ta= 50°C, 50%RH, 240h
5	Low temperature operation test	Ta= 0°C, 240h
6	Thermal shock (non-operating)	-10~60°C, 100Cycle
7	Altitude (non-operating)	40,000ft, room temperature, 24Hrs
8	Sine Vibration test (non-operating)	Sine wave, 10 ~ 500 ~ 10Hz, 1.5G, 0.37oct/min 3 axis, 1hour/axis
9	Random Vibration test (non-operating)	Random, 1.5Grms, Z axis 1hr
10	Shock test (non-operating)	Half sine wave, 180G, 2ms one shock of each six faces

{ Result Evaluation Criteria }

There should be no change which might affect the practical display function when the display quality test is conducted under normal operating condition.

## 7. International Standards

### 7-1. Safety

- a) UL 60950-1, Underwriters Laboratories Inc.  
Information Technology Equipment - Safety - Part 1 : General Requirements.
- b) CAN/CSA C22.2 No.60950-1-07, Canadian Standards Association.  
Information Technology Equipment - Safety - Part 1 : General Requirements.
- c) EN 60950-1, European Committee for Electrotechnical Standardization (CENELEC).  
Information Technology Equipment - Safety - Part 1 : General Requirements.

### 7-2. EMC

- a) ANSI C63.4 "American National Standard for Methods of Measurement of Radio-Noise Emissions from Low-Voltage Electrical and Electronic Equipment in the Range of 9 kHz to 40 GHz." American National Standards Institute (ANSI), 2003.
- b) CISPR 22 "Information technology equipment – Radio disturbance characteristics – Limit and methods of measurement." International Special Committee on Radio Interference (CISPR), 2005.
- c) CISPR 13 "Sound and television broadcast receivers and associated equipment – Radio disturbance characteristics – Limits and method of measurement." International Special Committee on Radio Interference (CISPR), 2006.

### 7-3. Environment

- a) RoHS, Directive 2002/95/EC of the European Parliament and of the council of 27 January 2003

## 8. Packing

### 8-1. Designation of Lot Mark

a) Lot Mark

A	B	C	D	E	F	G	H	I	J	K	L	M
---	---	---	---	---	---	---	---	---	---	---	---	---

A,B,C : SIZE(INCH)

E : MONTH

D : YEAR

F ~ M : SERIAL NO.

Note

1. YEAR

Year	2011	2012	2013	2014	2015	2016	2017	2018	2019	2020
Mark	A	B	C	D	E	F	G	H	J	K

2. MONTH

Month	Jan	Feb	Mar	Apr	May	Jun	Jul	Aug	Sep	Oct	Nov	Dec
Mark	1	2	3	4	5	6	7	8	9	A	B	C

b) Location of Lot Mark

Serial No. is printed on the label. The label is attached to the backside of the LCD module.  
 This is subject to change without prior notice.

### 8-2. Packing Form

a) Package quantity in one box : 20 pcs

b) Box Size : 355 mm x 468 mm x 220 mm

## 9. PRECAUTIONS

Please pay attention to the followings when you use this TFT LCD module.

### 9-1. MOUNTING PRECAUTIONS

- (1) You must mount a module using holes arranged in four corners or four sides.
- (2) You should consider the mounting structure so that uneven force (ex. Twisted stress) is not applied to the module. And the case on which a module is mounted should have sufficient strength so that external force is not transmitted directly to the module.
- (3) Please attach the surface transparent protective plate to the surface in order to protect the polarizer. Transparent protective plate should have sufficient strength in order to resist external force.
- (4) You should adopt a mounting structure to satisfy the temperature specification.
- (5) Acetic acid type and chlorine type materials for the cover case are not desirable because the former generates corrosive gas of attacking the polarizer at high temperature and the latter causes circuit break by electro-chemical reaction.
- (6) Do not touch, push or rub the exposed polarizers with glass, tweezers or anything harder than HB pencil lead. And please do not rub with dust clothes with chemical treatment. Do not touch the surface of polarizer for bare hand or greasy cloth. (Some cosmetics are detrimental to the polarizer.)
- (7) When the surface becomes dusty, please wipe gently with absorbent cotton or other soft materials like chamois soaked with petroleum benzene. Normal-hexane is recommended for cleaning the adhesives used to attach front / rear polarizers. Do not use acetone, toluene and alcohol because they cause chemical damage to the polarizer.
- (8) Wipe off saliva or water drops as soon as possible. Their long time contact with polarizer causes deformations and color fading.
- (9) Do not open the case because inside circuits do not have sufficient strength.

### 9-2. OPERATING PRECAUTIONS

- (1) The spike noise causes the mis-operation of circuits. It should be lower than following voltage :  
 $V = \pm 200\text{mV}$  (Over and under shoot voltage)
- (2) Response time depends on the temperature. (In lower temperature, it becomes longer.)
- (3) Brightness depends on the temperature. (In lower temperature, it becomes lower.)  
And in lower temperature, response time (required time that brightness is stable after turned on) becomes longer.
- (4) Be careful for condensation at sudden temperature change. Condensation makes damage to polarizer or electrical contacted parts. And after fading condensation, smear or spot will occur.
- (5) When fixed patterns are displayed for a long time, remnant image is likely to occur.
- (6) Module has high frequency circuits. Sufficient suppression to the electromagnetic interference shall be done by system manufacturers. Grounding and shielding methods may be important to minimize the interference.



### 9-3. ELECTROSTATIC DISCHARGE CONTROL

Since a module is composed of electronic circuits, it is not strong to electrostatic discharge. Make certain that treatment persons are connected to ground through wrist band etc. And don't touch interface pin directly.

### 9-4. PRECAUTIONS FOR STRONG LIGHT EXPOSURE

Strong light exposure causes degradation of polarizer and color filter.

### 9-5. STORAGE

When storing modules as spares for a long time, the following precautions are necessary.

- (1) Store them in a dark place. Do not expose the module to sunlight or fluorescent light. Keep the temperature between 5°C and 35°C at normal humidity.
- (2) The polarizer surface should not come in contact with any other object.  
It is recommended that they be stored in the container in which they were shipped.

### 9-6. HANDLING PRECAUTIONS FOR PROTECTION FILM

- (1) When the protection film is peeled off, static electricity is generated between the film and polarizer.  
This should be peeled off slowly and carefully by people who are electrically grounded and with well ion-blown equipment or in such a condition, etc.
- (2) The protection film is attached to the polarizer with a small amount of glue. If some stress is applied to rub the protection film against the polarizer during the time you peel off the film, the glue is apt to remain on the polarizer.  
Please carefully peel off the protection film without rubbing it against the polarizer.
- (3) When the module with protection film attached is stored for a long time, sometimes there remains a very small amount of glue still on the polarizer after the protection film is peeled off.
- (4) You can remove the glue easily. When the glue remains on the polarizer surface or its vestige is recognized, please wipe them off with absorbent cotton waste or other soft material like chamois soaked with normal-hexane.

## Product Specification

**APPENDIX A. Enhanced Extended Display Identification Data (EEDID™) 1/3**

	Byte (Dec)	Byte (Hex)	Field Name and Comments	Value (Hex)	Value (Bin)
<b>Header</b>	0	00	Header	00	00000000
	1	01	Header	FF	11111111
	2	02	Header	FF	11111111
	3	03	Header	FF	11111111
	4	04	Header	FF	11111111
	5	05	Header	FF	11111111
	6	06	Header	FF	11111111
<b>Vendor / Product EDID Version</b>	7	07	Header	00	00000000
	8	08	EISA manufacture code (3 Character ID) LGD	30	00110000
	9	09	EISA manufacture code (Compressed ASC II)	E4	11100100
	10	0A	Panel Supplier Reserved - Product Code 0324h	24	00100100
	11	0B	(Hex LSB first)	03	00000011
	12	0C	LCD Module Serial No - Preferred but Optional ("0" if not used)	00	00000000
	13	0D	LCD Module Serial No - Preferred but Optional ("0" if not used)	00	00000000
	14	0E	LCD Module Serial No - Preferred but Optional ("0" if not used)	00	00000000
	15	0F	LCD Module Serial No - Preferred but Optional ("0" if not used)	00	00000000
	16	10	Week of Manufacture 00 weeks	00	00000000
	17	11	Year of Manufacture 2012 years	16	00010110
18	12	EDID structure version # = 1	01	00000001	
19	13	EDID revision # = 3	03	00000011	
<b>Display Parameters</b>	20	14	Video input Definition = Digital signal	80	10000000
	21	15	Max H image size (Rounded cm) = 22 cm	16	00010110
	22	16	Max V image size (Rounded cm) = 14 cm	0E	00001110
	23	17	Display gamma = (gamma*100)-100 = Example:(2.2*100)-100=120 = 2.2 Gamma	78	01111000
	24	18	Feature Support (no_DPMS, no_Active Off/Very Low Power, RGB color display, Timing BLK 1,no_GTF)	0A	00001010
<b>Panel Color Coordinates</b>	25	19	Red/Green Low Bits (RxRy/GxGy)	4D	01001101
	26	1A	Blue/White Low Bits (BxBY/WxWy)	25	00100101
	27	1B	Red X Rx = 0.595	98	10011000
	28	1C	Red Y Ry = 0.352	5A	01011010
	29	1D	Green X Gx = 0.335	55	01010101
	30	1E	Green Y Gy = 0.560	8F	10001111
	31	1F	Blue X Bx = 0.156	28	00101000
	32	20	Blue Y By = 0.119	1E	00011110
33	21	White X Wx = 0.310	4F	01001111	
34	22	White Y Wy = 0.325	53	01010011	
<b>Established Timings</b>	35	23	Established timing 1 (00h if not used)	00	00000000
	36	24	Established timing 2 (00h if not used)	00	00000000
	37	25	Manufacturer's timings (00h if not used)	00	00000000
<b>Standard Timing ID</b>	38	26	Standard timing ID1 (01h if not used)	01	00000001
	39	27	Standard timing ID1 (01h if not used)	01	00000001
	40	28	Standard timing ID2 (01h if not used)	01	00000001
	41	29	Standard timing ID2 (01h if not used)	01	00000001
	42	2A	Standard timing ID3 (01h if not used)	01	00000001
	43	2B	Standard timing ID3 (01h if not used)	01	00000001
	44	2C	Standard timing ID4 (01h if not used)	01	00000001
	45	2D	Standard timing ID4 (01h if not used)	01	00000001
	46	2E	Standard timing ID5 (01h if not used)	01	00000001
	47	2F	Standard timing ID5 (01h if not used)	01	00000001
	48	30	Standard timing ID6 (01h if not used)	01	00000001
	49	31	Standard timing ID6 (01h if not used)	01	00000001
	50	32	Standard timing ID7 (01h if not used)	01	00000001
	51	33	Standard timing ID7 (01h if not used)	01	00000001
	52	34	Standard timing ID8 (01h if not used)	01	00000001

Product Specification

APPENDIX A. Enhanced Extended Display Identification Data (EEDID™) 2/3

	Byte (Dec)	Byte (Hex)	Field Name and Comments	Value (Hex)	Value (Bin)	
<i>Timing Descriptor #1</i>	54	36	Pixel Clock/10,000 (LSB) 71 MHz @ 60Hz	BC	10111100	
	55	37	Pixel Clock/10,000 (MSB)	1B	00011011	
	56	38	Horizontal Active (lower 8 bits) 1280 Pixels	00	00000000	
	57	39	Horizontal Blanking(Thp-HA) (lower 8 bits) 160 Pixels	A0	10100000	
	58	3A	Horizontal Active / Horizontal Blanking(Thp-HA) (upper 4:4bits)	50	01010000	
	59	3B	Vertical Active 800 Lines	20	00100000	
	60	3C	Vertical Blanking (Tvp-HA) (DE Blanking typ.for DE only panels) 22 Lines	16	00010110	
	61	3D	Vertical Active : Vertical Blanking (Tvp-HA) (upper 4:4bits)	30	00110000	
	62	3E	Horizontal Sync. Offset (Thfp) 48 Pixels	30	00110000	
	63	3F	Horizontal Sync Pulse Width (HSPW) 32 Pixels	20	00100000	
	64	40	Vertical Sync Offset(Tvfp) : Sync Width (VSPW) 2 Lines : 6 Lines	26	00100110	
	65	41	Horizontal Vertical Sync Offset/Width (upper 2:bits)	00	00000000	
	66	42	Horizontal Image Size (mm) 218 mm	DA	11011010	
	67	43	Vertical Image Size (mm) 135 mm	87	10000111	
	68	44	Horizontal Image Size / Vertical Image Size	00	00000000	
	69	45	Horizontal Border = 0 (Zero for Notebook LCD)	00	00000000	
	70	46	Vertical Border = 0 (Zero for Notebook LCD)	00	00000000	
	71	47	Non-Interlace, Normal display, no stereo, Digital Separate ( Vsync_NEG, Hsync_NEG), DE only note : LSB is set to '1' if panel is DE-timing only. H/V can be ignored.	19	00011001	
	<i>Timing Descriptor #2</i>	72	48	Flag	00	00000000
		73	49	Flag	00	00000000
		74	4A	Flag	00	00000000
75		4B	Data Type Tag (Monitor Name, stored as ASCII)	FC	11111100	
76		4C	Flag	00	00000000	
77		4D	Panel supplier P/N #1 = L	4C	01001100	
78		4E	Panel supplier P/N #2 = D	44	01000100	
79		4F	Panel supplier P/N #3 = 1	31	00110001	
80		50	Panel supplier P/N #4 = 0	30	00110000	
81		51	Panel supplier P/N #5 = 1	31	00110001	
82		52	Panel supplier P/N #6 = W	57	01010111	
83		53	Panel supplier P/N #7 = X	58	01011000	
84		54	Panel supplier P/N #8 = 1	31	00110001	
85	55	Panel supplier P/N #9 = -	2D	00101101		
86	56	Panel supplier P/N #10 = S	53	01010011		
87	57	Panel supplier P/N #11 = L	4C	01001100		
88	58	Panel supplier P/N #12 = 0	30	00110000		
89	59	Panel supplier P/N #13 = 1	31	00110001		
<i>Timing Descriptor #3</i>	90	5A	Flag	00	00000000	
	91	5B	Flag	00	00000000	
	92	5C	Flag	00	00000000	
	93	5D	Data Type Tag (Monitor Range limits, Binary coded)	FD	11111101	
	94	5E	Flag	00	00000000	
	95	5F	Min. Vertical (for interlace this refers to field rate) Binary coded rate in Hz, interger only = 53 Hz	35	00110101	
	96	60	Max. Vertical (for interlace this refers to field rate) Binary coded rate in Hz, interger only = 63 Hz	3F	00111111	
	97	61	Min. Horizontal in KHz, integer only, binary coded = 49 KHz	31	00110001	
	98	62	Max. Horizontal in KHz, integer only, binary coded = 50 KHz	32	00110010	
	99	63	Max. Supported Pixel Clock(Manufacturer's defn) Binary coded clock rate in MHz/10 e.g. 130MHz is 0Dh = 74.5 MHz	07	00000111	
	100	64	VESA GTF Reserved, set = 00h if unused for GTF	00	00000000	
	101	65	VESA GTF Reserved, set = 0Ah if unused for GTF	0A	00001010	
	102	66	VESA GTF Reserved, set = 20h if unused for GTF	20	00100000	
	103	67	VESA GTF Reserved, set = 20h if unused for GTF	20	00100000	
	104	68	VESA GTF Reserved, set = 20h if unused for GTF	20	00100000	
	105	69	VESA GTF Reserved, set = 20h if unused for GTF	20	00100000	
	106	6A	VESA GTF Reserved, set = 20h if unused for GTF	20	00100000	
107	6B	VESA GTF Reserved, set = 20h if unused for GTF	20	00100000		

## Product Specification

**APPENDIX A. Enhanced Extended Display Identification Data (EEDID™) 3/3**

	Byte (Dec)	Byte (Hex)	Field Name and Comments	Value (Hex)	Value (Bin)
<b>Timing Descriptor #4</b>	108	6C	Flag	00	00000000
	109	6D	Flag	00	00000000
	110	6E	Flag	00	00000000
	111	6F	Data Type Tag ( ASCII String )	FE	11111110
	112	70	Flag	00	00000000
	113	71	Panel supplier P/N #1 = L	4C	01001100
	114	72	Panel supplier P/N #2 = D	44	01000100
	115	73	Panel supplier P/N #3 = 1	31	00110001
	116	74	Panel supplier P/N #4 = 0	30	00110000
	117	75	Panel supplier P/N #5 = 1	31	00110001
	118	76	Panel supplier P/N #6 = W	57	01010111
	119	77	Panel supplier P/N #7 = X	58	01011000
	120	78	Panel supplier P/N #8 = 1	31	00110001
	121	79	Panel supplier P/N #9 = -	2D	00101101
	122	7A	Panel supplier P/N #10 = S	53	01010011
123	7B	Panel supplier P/N #11 = L	4C	01001100	
124	7C	Panel supplier P/N #12 = 0	30	00110000	
125	7D	Panel supplier P/N #13 = 1	31	00110001	
<b>Checksum</b>	126	7E	Extension flag (# of optional 128 panel ID extension block to follow, Typ = 0)	00	00000000
	127	7F	Check Sum (The 1-byte sum of all 128 bytes in this panel ID block shall = 0)	31	00110001