

TFT-DISPLAY DATASHEET

AUO
Model: G150XVN01.2

BRIEF SPEC.:

Main Feature

Landscape Type

Normally Black Display Mode

Active Screen Area	304.12 x 228.09 (mm)
Diagonal Format	15.0" 4:3
Resolution	1024 X 768
Colors	262k16.7M (6 Bit)
Backlight	LED
Brightness	400 cd/m ²
LED Life Time	50K (h)
Interface	LVDS
Viewing Angle	88/88 L/R 88/88
Touchscreen	No
Power Supply	3.3 V (Typ.)
Module Outline	326.5 x 253.5 x 9.6 (mm)
Operation Temperature	-10... +70 °C
Storage Temperature	-30... +70 °C
Surface Treatment	Anti-Glare, Hard-Coating, 3H



Preliminary Specifications

Final Specifications

Module	15 Inch Color TFT-LCD
Model Name	G150XVN01.2

Customer	Date
_____	_____
Checked & Approved by	Date
_____	_____
Customer's sign back page	

Approved by	Date
<u>Crystal Hsieh</u>	<u>2017/9/1</u>
Prepared by	Date
<u>Wennie Lee</u>	<u>2017/9/1</u>
General Display Business Division / AU Optronics corporation	



Contents

1. Operating Precautions	4
2. General Description	5
2.1 Display Characteristics.....	5
2.2 Optical Characteristics	6
3. Functional Block Diagram	9
4. Absolute Maximum Ratings	10
4.1 Absolute Ratings of TFT LCD Module.....	10
4.2 Absolute Ratings of Environment.....	10
5. Electrical Characteristics	11
5.1 TFT LCD Module	11
5.2 Backlight Unit.....	13
6. Signal Characteristic	14
6.1 Pixel Format Image.....	14
6.2 Scanning Direction.....	14
6.3 Signal Description	15
6.4 The Input Data Format.....	17
6.5 Interface Timing	18
6.6 Power ON/OFF Sequence	19
7. Reliability Test Criteria	20
8. Mechanical Characteristics	21
8.1 LCM Outline Dimension	21
9. Label and Packaging	22
9.1 Shipping Label (on the rear side of TFT-LCD display)	22
9.2 Carton Package	22
10 Safety	23
10.1 Sharp Edge Requirements.....	23
10.2 Materials	23
10.3 Capacitors.....	23
10.4 National Test Lab Requirement.....	23



1. Operating Precautions

- 1) Since front polarizer is easily damaged, please be cautious and not to scratch it.
- 2) Be sure to turn off power supply when inserting or disconnecting from input connector.
- 3) Wipe off water drop immediately. Long contact with water may cause discoloration or spots.
- 4) When the panel surface is soiled, wipe it with absorbent cotton or soft cloth.
- 5) Since the panel is made of glass, it may be broken or cracked if dropped or bumped on hard surface.
- 6) To avoid ESD (Electro Static Discharge) damage, be sure to ground yourself before handling TFT-LCD Module.
- 7) Do not open nor modify the module assembly.
- 8) Do not press the reflector sheet at the back of the module to any direction.
- 9) In case if a module has to be put back into the packing container slot after it was taken out from the container, do not press the center of the LED light bar edge. Instead, press at the far ends of the LED light bar edge softly. Otherwise the TFT Module may be damaged.
- 10) At the insertion or removal of the Signal Interface Connector, be sure not to rotate nor tilt the Interface Connector of the TFT Module.
- 11) TFT-LCD Module is not allowed to be twisted & bent even force is added on module in a very short time. Please design your display product well to avoid external force applying to module by end-user directly.
- 12) Small amount of materials having no flammability grade is used in the LCD module. The LCD module should be supplied by power complied with requirements of Limited Power Source (IEC60950 or UL1950), or be applied exemption.
- 13) Severe temperature condition may result in different luminance, response time and lamp ignition voltage.
- 14) Continuous operating TFT-LCD display under low temperature environment may accelerate lamp exhaustion and reduce luminance dramatically.
- 15) The data on this specification sheet is applicable when LCD module is placed in landscape position.
- 16) Continuous displaying fixed pattern may induce image sticking. It's recommended to use screen saver or shuffle content periodically if fixed pattern is displayed on the screen.



2. General Description

This specification applies to the Color Active Matrix Liquid Crystal Display G150XVN01.2 composed of a TFT-LCD display, a driver and power supply circuit, and a LED backlight system. The screen format is intended to support

LED driving board for backlight unit is included in G150XVN01.2.

2.1 Display Characteristics

The following items are characteristics summary on the table under 25 °C condition:

Items	Unit	Specifications
Screen Diagonal	[inch]	15.0"
Active Area	[mm]	304.128 (H) x 228.096 (V)
Resolution		1024 x 768
Pixel Pitch	[mm]	0.297 (per one triad) x 0.297
Pixel Arrangement		R.G.B. Vertical Stripe
Display Mode		VA, Normally Black
Nominal Input Voltage VDD	[Volt]	+3.3
Power Consumption	[Watt]	TBD
Weight	[Grams]	910(Typ) ±10%
Physical Size	[mm]	326.5 (H) x 253.5 (V) x 9.6(D) (typ)
Electrical Interface		one channel LVDS
Surface Treatment		Hard-coating (3H), Anti-Glare treatment
Support Color		16.2M / 262K colors
Temperature Range Operating Storage (Non-Operating)	[°C] [°C]	-10 to +70 (Tgs) -30 to +70 (Ta)
RoHS Compliance		Yes

2.2 Optical Characteristics

The optical characteristics are measured under stable conditions at 25 °C (Room Temperature):

Item	Unit	Conditions	Min.	Typ.	Max.	Note	
White Luminance	cd/m ²	I _{LED} =70mA(center point)	320	400	-	1	
Uniformity	%	5 points	75	-	-	2,3	
Contrast Ratio	--		900	1500	-	4	
Response Time	msec	Rising	-	20	-	5	
		Falling	-	15	-		
		Rising + Falling	-	35	-		
Viewing Angle	degree	Horizontal CR >= 10	(Right)	70	88	-	6
			(Left)	70	88	-	
		Vertical CR >= 10	(Upper)	70	88	-	
			(Lower)	70	88	-	
Color / Chromaticity Coordinates (CIE 1931)	--	Red x	TBD	TBD	TBD		
		Red y	TBD	TBD	TBD		
		Green x	TBD	TBD	TBD		
		Green y	TBD	TBD	TBD		
		Blue x	TBD	TBD	TBD		
		Blue y	TBD	TBD	TBD		
		White x	TBD	TBD	TBD		
		White y	TBD	TBD	TBD		
Color Gamut	%		-	72	-		

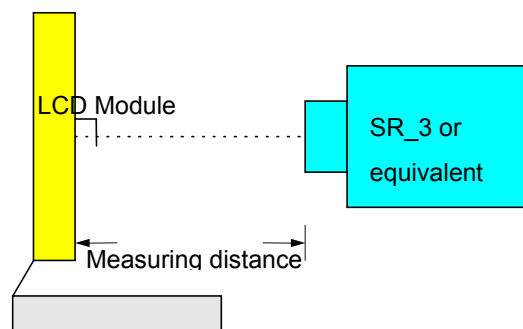
Note 1: Measurement method

Equipment Pattern Generator, Power Supply, Digital Voltmeter, Luminance meter (SR_3 or equivalent)

Aperture 1° with 50cm viewing distance

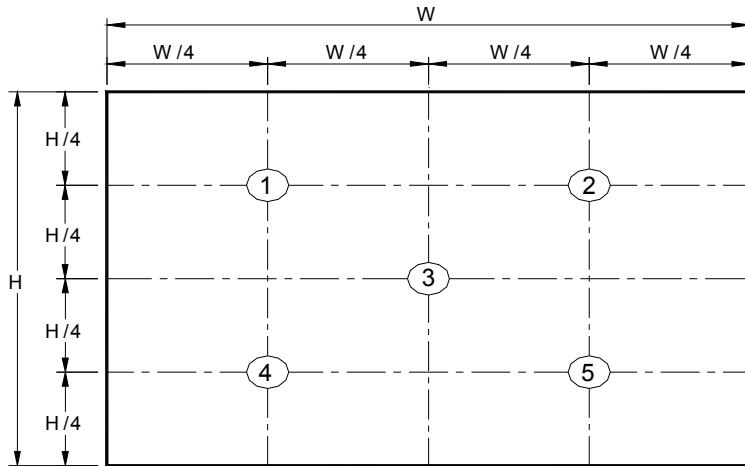
Test Point Center

Environment < 1 lux



Module Driving Equipment

Note 2: Definition of 5 points position



Note 3: The luminance uniformity of 5 points is defined by dividing the minimum luminance values by the maximum test point luminance

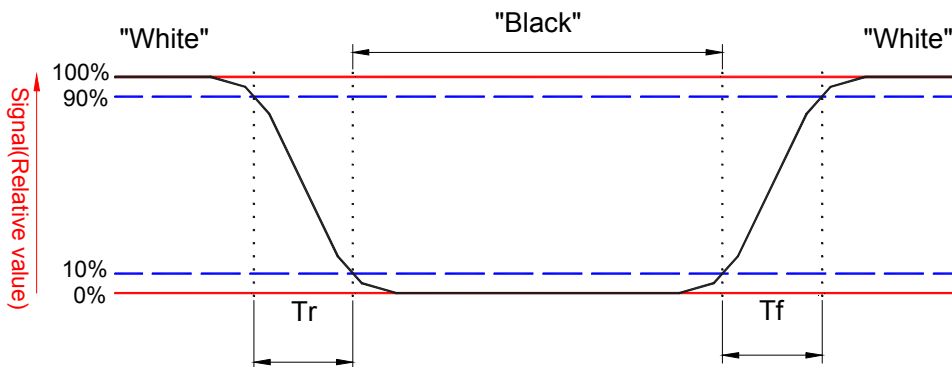
$$\delta_{w5} = \frac{\text{Minimum Brightness of five points}}{\text{Maximum Brightness of five points}}$$

Note 4: Definition of contrast ratio (CR):

$$\text{Contrast ratio (CR)} = \frac{\text{Brightness on the "White" state}}{\text{Brightness on the "Black" state}}$$

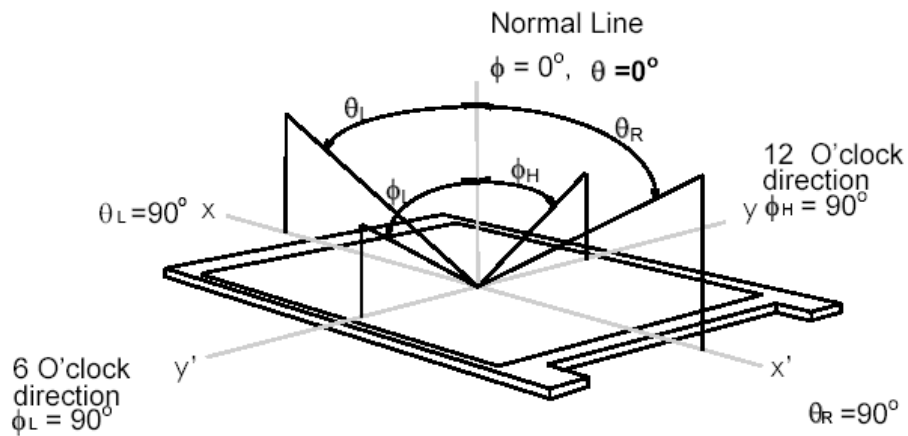
Note 5: Definition of response time:

The output signals of photo detector are measured when the input signals are changed from "White" to "Black" (falling time) and from "Black" to "White" (rising time), respectively. The response time interval is between 10% and 90% of amplitudes. Please refer to the figure as below.



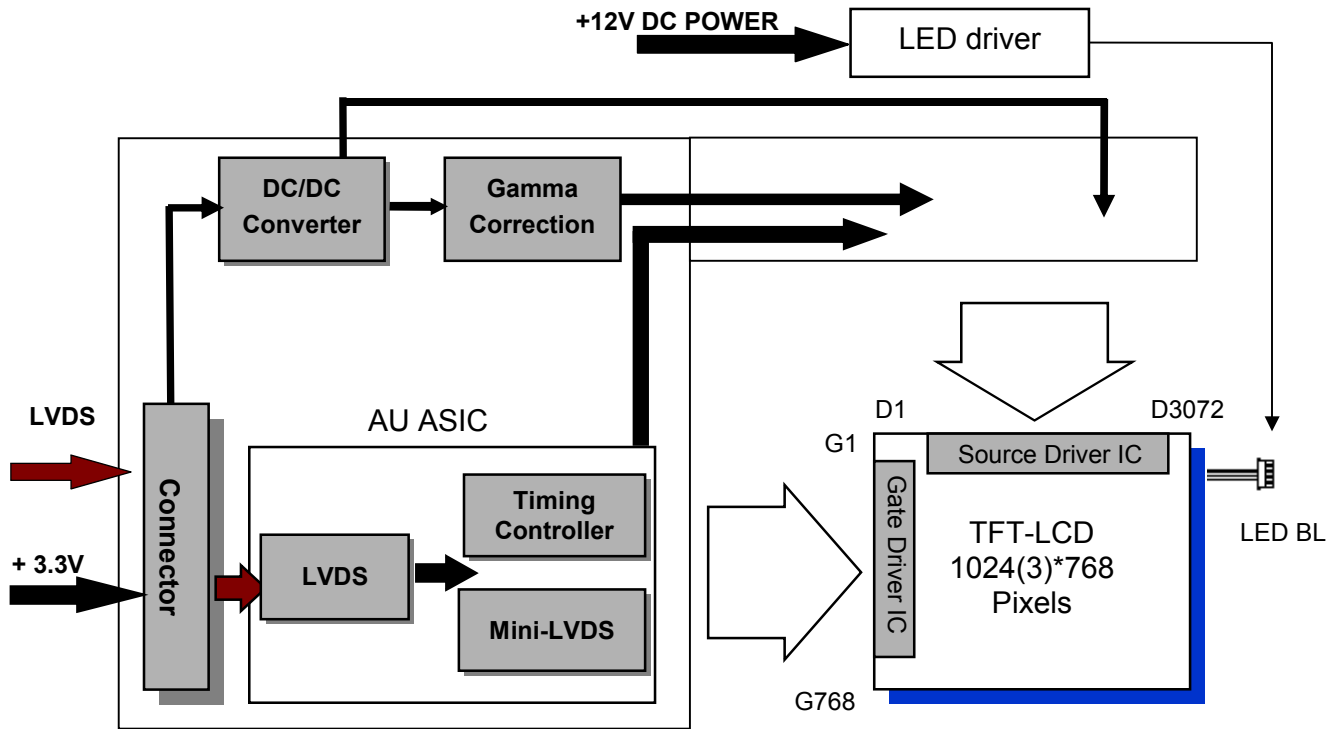
Note 6: Definition of viewing angle

Viewing angle is the measurement of contrast ratio ≥ 10 , at the screen center, over a 180° horizontal and 180° vertical range (off-normal viewing angles). The 180° viewing angle range is broken down as below: 90° (θ) horizontal left and right, and 90° (Φ) vertical high (up) and low (down). The measurement direction is typically perpendicular to the display surface with the screen rotated to its center to develop the desired measurement viewing angle.



3. Functional Block Diagram

The following diagram shows the functional block of the 15 inch color TFT/LCD module:



4. Absolute Maximum Ratings

4.1 Absolute Ratings of TFT LCD Module

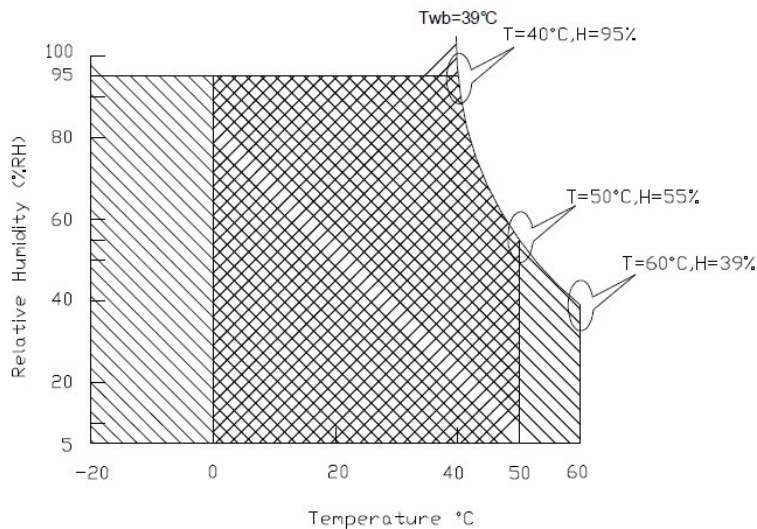
Item	Symbol	Min	Max	Unit
Logic/LCD drive Voltage	Vin	-0.3	+4.0	[Volt]

4.2 Absolute Ratings of Environment

Item	Symbol	Min	Max	Unit
Operating Temperature(Tgs)	TOP	-10	+70	[°C]
Operation Humidity	HOP	5	95	[%RH]
Storage Temperature	TST	-30	+70	[°C]
Storage Humidity	HST	5	95	[%RH]

Note 1: Maximum Wet-Bulb should be 39 °C and no condensation.

Note 2: Function Judged only



Operating Range 

Storage Range

 + 

5. Electrical Characteristics

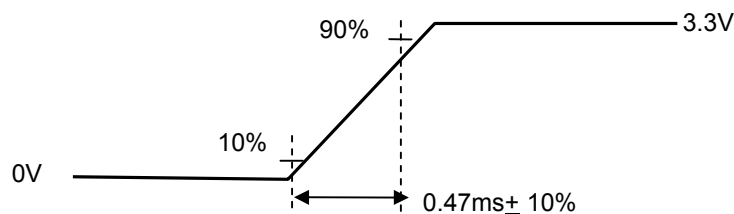
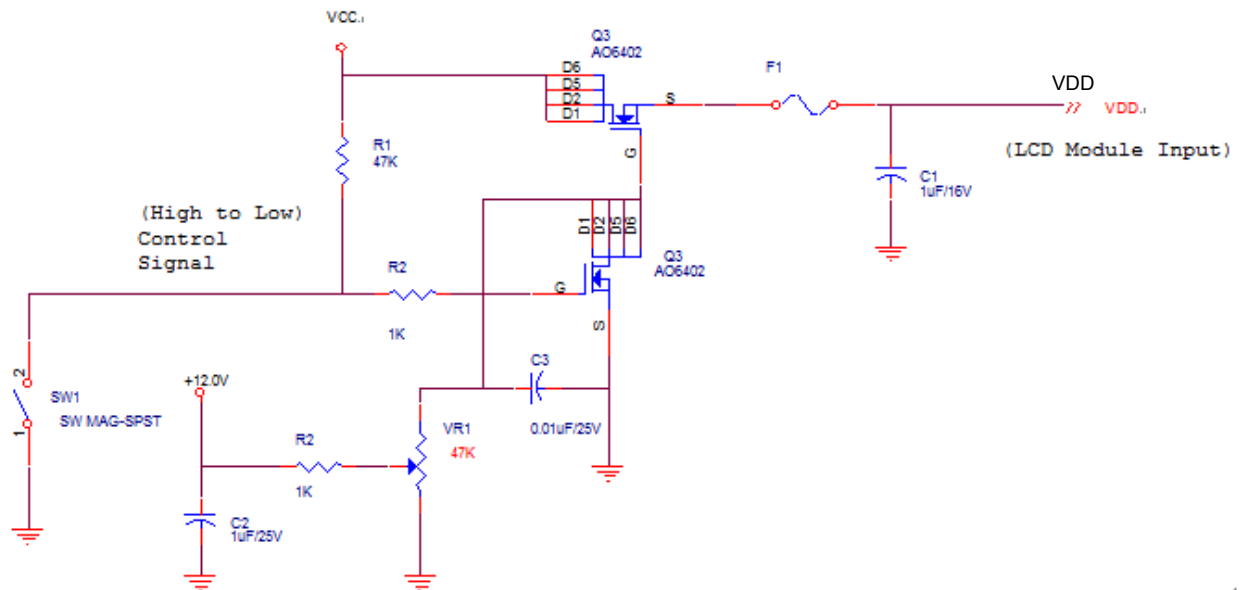
5.1 TFT LCD Module

5.1.1 Power Specification

Input power specifications are shown as follows;

Symbol	Parameter	Min	Typ	Max	Units	Remark
VDD	Logic/LCD Drive Voltage	3.0	3.3	3.6	[Volt]	
IDD	VDD Current		TBD	TBD	[mA]	All White Pattern (VDD=3.3V, at 60Hz)
Irush	LCD Inrush Current			2	[A]	Note 1
PDD	VDD Power		TBD	TBD	[Watt]	All White Pattern (VDD=3.3V, at 60Hz)
VDDrp	Allowable Logic/LCD Drive Ripple Voltage			500	[mV] p-p	All Black Pattern (VDD=3.3V, at 60Hz)

Note 1: Measurement condition:

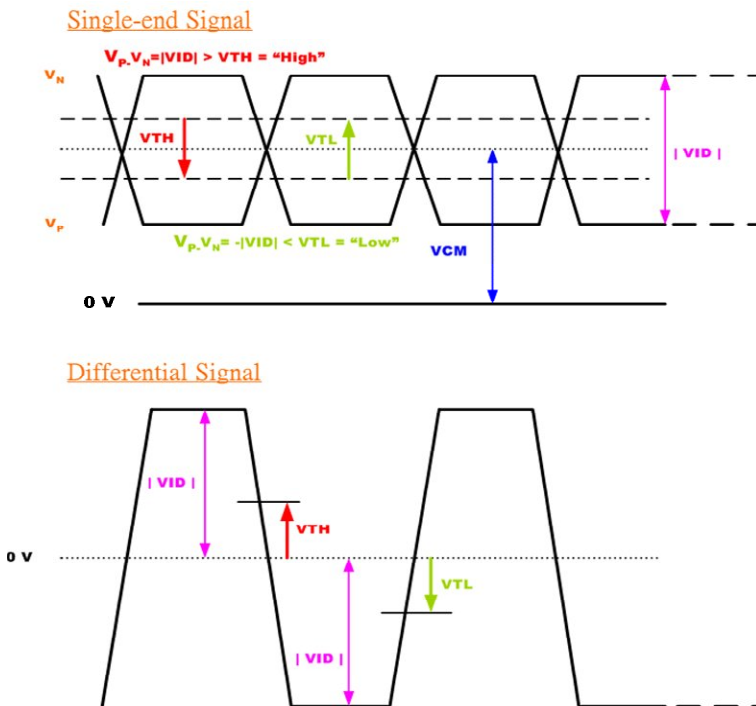


5.1.2 LVDS DC Signal Electrical Characteristics

Symbol	Item	Min.	Typ.	Max.	Unit	Remark
V _{TH}	Differential Input High Threshold			+100	[mV]	V _{CM} =1.2V
V _{TL}	Differential Input Low Threshold	-100			[mV]	V _{CM} =1.2V
VID	Input Differential Voltage	100	400	600	[mV]	
V _{ICM}	Differential Input Common Mode Voltage	+1.1		+1.45	[V]	V _{TH} /V _{TL} =±100mV

Input signals shall be low or Hi-Z state when VDD is off.

Note: LVDS Signal Waveform.





5.2 Backlight Unit

5.2.1 Parameter guideline for LED

Following characteristics are measured under a stable condition using an inverter at 25°C (Room

Temperature):

LED characteristics

Symbol	Parameter	Min	Typ	Max	Units	Condition
PLED	Backlight Power Consumption	--	--	TBD	[Watt]	No Backlight Unit
LTLED	LED Life-Time	50,000	--	--	Hour	No Backlight Unit

Note 1: Calculator value for reference $P_{LED} = V_F$ (Normal Distribution) * I_F (Normal Distribution)*LED Qty

Note 2: The LED life-time define as the estimated time to 50% degradation of initial luminous.

Backlight input signal characteristics

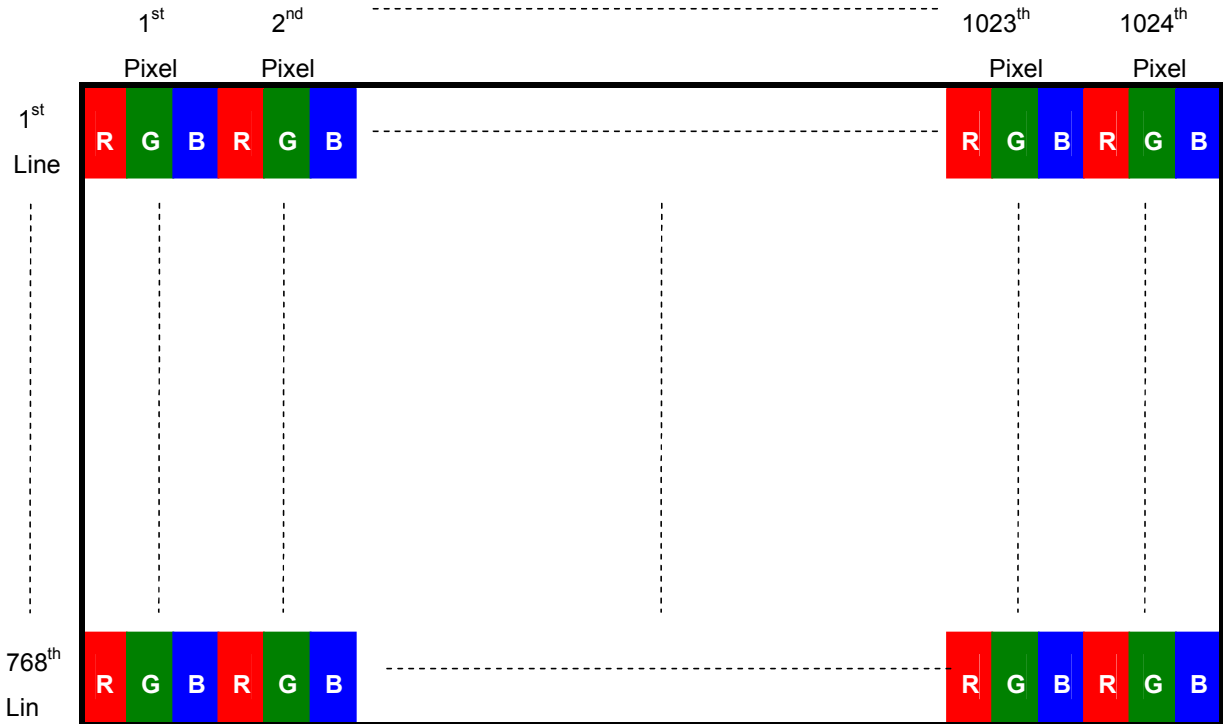
Symbol	Parameter	Min	Typ	Max	Units	Remark
VLED (Note 1)	LED Power Supply	10.8	12	13.2	[Volt]	Define as Connector Interface (Ta=25°C)
VLED_EN	LED Enable Input High Level	2.5	--	5.5	[Volt]	
	LED Enable Input Low Level	--	--	0.7	[Volt]	
VPWM_EN	PWM Logic Input High Level	2.5	--	5.5	[Volt]	
	PWM Logic Input Low Level	--	--	0.7	[Volt]	
FPWM	PWM Input Frequency *1	200	1K	20K	Hz	
Duty	PWM Duty Ratio	5	--	100	%	

Note1: Measured on panel VLED

6. Signal Characteristic

6.1 Pixel Format Image

Following figure shows the relationship between input signal and LCD pixel format.



6.2 Scanning Direction

The following figures show the image seen from the front view. The arrow indicates the direction of scan.

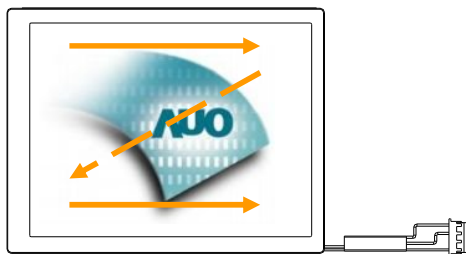


Fig. 1 Normal scan (Pin4, DPS = Low or NC)

6.3 Signal Description

The module uses a LVDS receiver embedded in AUO's ASIC. LVDS is a differential signal technology for LCD interface and a high-speed data transfer device.

6.3.1 TFT LCD Module: LVDS Connector

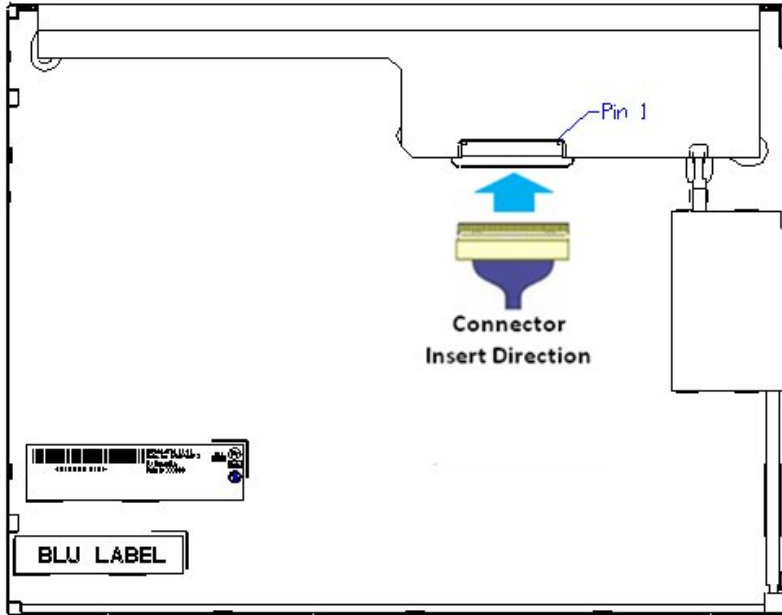
Connector Name / Designation	Signal Connector
Manufacturer	HIROSE
Connector Model Number	DF14H-30P-1.25H(57)
Adaptable Plug	DF14-30S-1.25C

Pin no	Symbol	Function	Remark
1	GND	Ground	
2	GND	Ground	
3	VCC	LED BL Power Supply, 12V	
4	VCC	LED BL Power Supply, 12V	
5	GND	Ground	
6	ON/OFF	LED BL ON/OFF (H:ON, L:OFF)	
7	PWM	LED BL PWM dimming	
8	GND	Ground	
9	VDD	LCD Power Supply, 3.3V	
10	VDD	LCD Power Supply, 3.3V	
11	GND	Ground	
12	GND	Ground	
13	Rin0-	- LVDS differential data CH0 input	
14	Rin0+	+ LVDS differential data CH0 input	
15	GND	Ground	
16	Rin1-	- LVDS differential data CH1 input	
17	Rin1+	+ LVDS differential data CH1 input	
18	GND	Ground	
19	Rin2-	- LVDS differential data CH2 input	
20	Rin2+	+ LVDS differential data CH2 input	
21	GND	Ground	
22	ClKIN-	- LVDS differential clock input	
23	ClKIN+	+ LVDS differential clock input	
24	GND	Ground	
25	Rin3-	- LVDS differential data CH3 input	
26	Rin3+	+ LVDS differential data CH3 input	
27	GND	Ground	

28	RL/UD	H: 180 degree rotation/ L: Normal mode	
29	SELLVDS	L: 8 bit / H: 6bit	
30	GND	Ground	

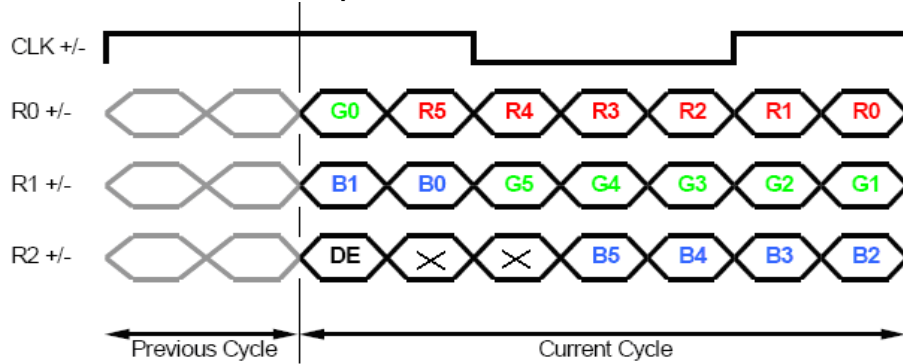
Note 1: Input signals shall be low or High-impedance state when VDD and VCC are off.

Note 2: High stands for "3.3V", Low stands for "0V", NC means "No Connection".

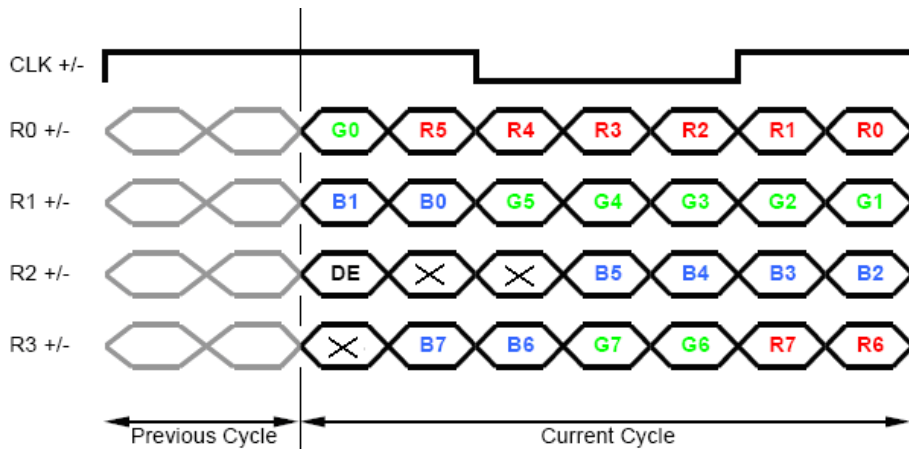


6.4 The Input Data Format

SEL LVDS = "H" for 6 bits LVDS Input



SEL LVDS = "L" or NC for 8 bits LVDS Input



Note1: Please follow PSWG.

Note2: R/G/B data 7:MSB, R/G/B data 0:LSB

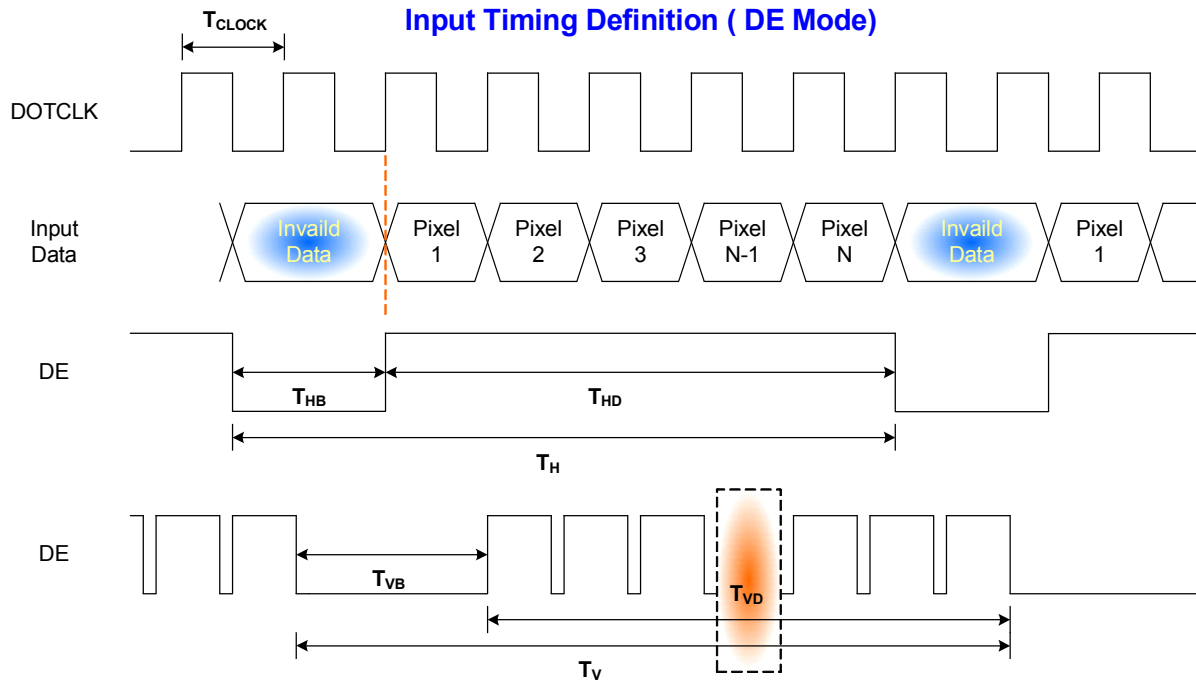
6.5 Interface Timing

6.5.1 Timing Characteristics

Signal	Symbol	Min.	Typ.	Max.	Unit
Clock Frequency	$1/T_{\text{Clock}}$	50	65	80	MHz
Vertical Section	Period	T_V	776	806	T_{Line}
	Active	T_{VD}	768	768	
	Blanking	T_{VB}	8	38	
Horizontal Section	Period	T_H	1094	1344	T_{Clock}
	Active	T_{HD}	1024	1024	
	Blanking	T_{HB}	70	320	
Frame Rate	F	49	60	75	Hz

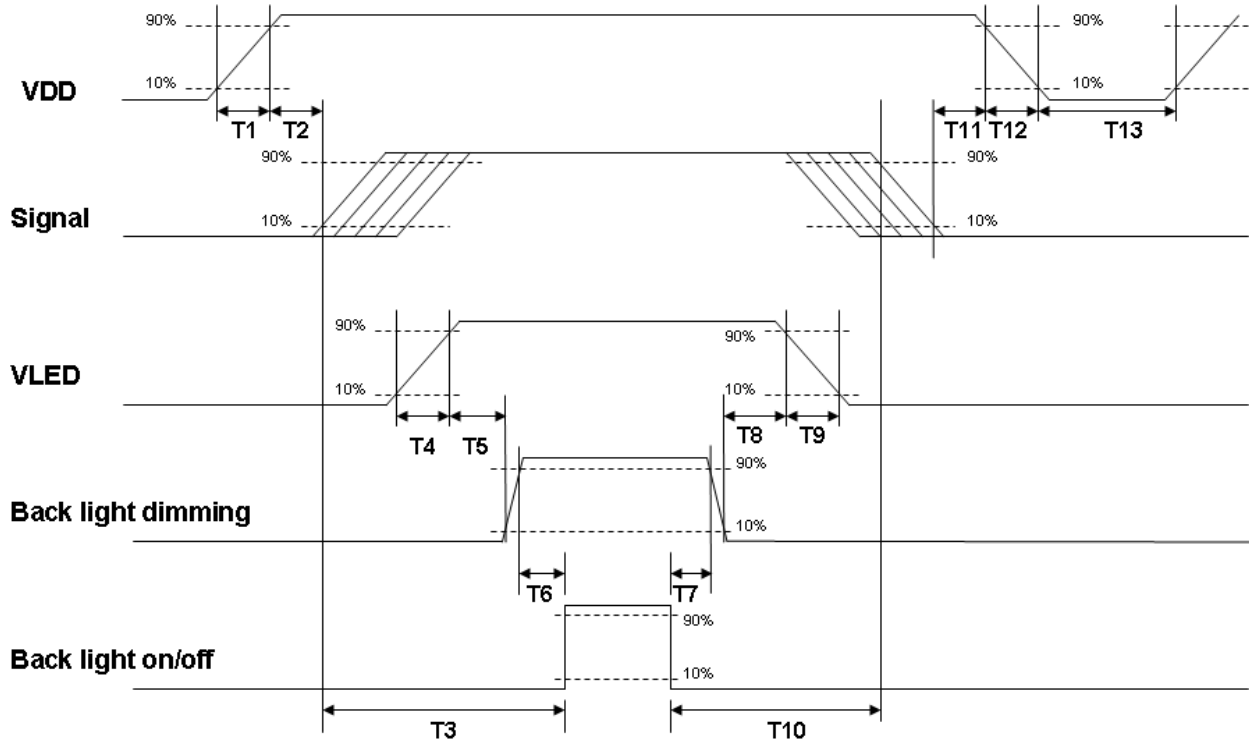
Note : DE mode.

6.5.2 Input Timing Diagram



6.6 Power ON/OFF Sequence

VDD power and lamp on/off sequence is as below. Interface signals are also shown in the chart. Signals from any system shall be Hi-Z state or low level when VDD is off.



Power ON/OFF sequence timing

Parameter	Value			Units
	Min.	Typ.	Max.	
T1	0.5		10	[ms]
T2	30	40	50	[ms]
T3	220			[ms]
T4	0.5		10	[ms]
T5	10			[ms]
T6	10			[ms]
T7	0			[ms]
T8	10			[ms]
T9			10	[ms]
T10	110			[ms]
T11	0	16	50	[ms]
T12			10	[ms]
T13	1000			[ms]

The above on/off sequence should be applied to avoid abnormal function in the display. Please make sure to turn off the power when you plug the cable into the input connector or pull the cable out of the connector.

7. Reliability Test Criteria

Items	Required Condition	Note
Temperature Humidity Bias	40 °C /95%, 300Hr	
High Temperature Operation	70 °C, 300Hr (center point of panel surface)	
Low Temperature Operation	-10 °C, 300Hr	
Hot Storage	70 °C, 300 hours	
Cold Storage	-30 °C, 300 hours	
Thermal Shock Test	-30 °C /30 min ,70 °C /30 min ,50cycles, 40 °C minimum ramp rate	
Shock Test (Non-Operating)	50G,20ms,Half-sine wave,(+X,+Y,+Z)	
Vibration Test (Non-Operating)	1.5G, 10~200~10Hz, Sine wave 30mins/axis, 3 direction (X, Y, Z)	
On/off test	On/10 sec, Off/10 sec, 30,000 cycles	
ESD	Contact : ± 8KV/ operation, Class B Air : ± 15KV / operation, Class B	Note 1

Note1: According to EN61000-4-2 , ESD class B: Some performance degradation allowed. No data lost
 . Self-recoverable. No hardware failures.

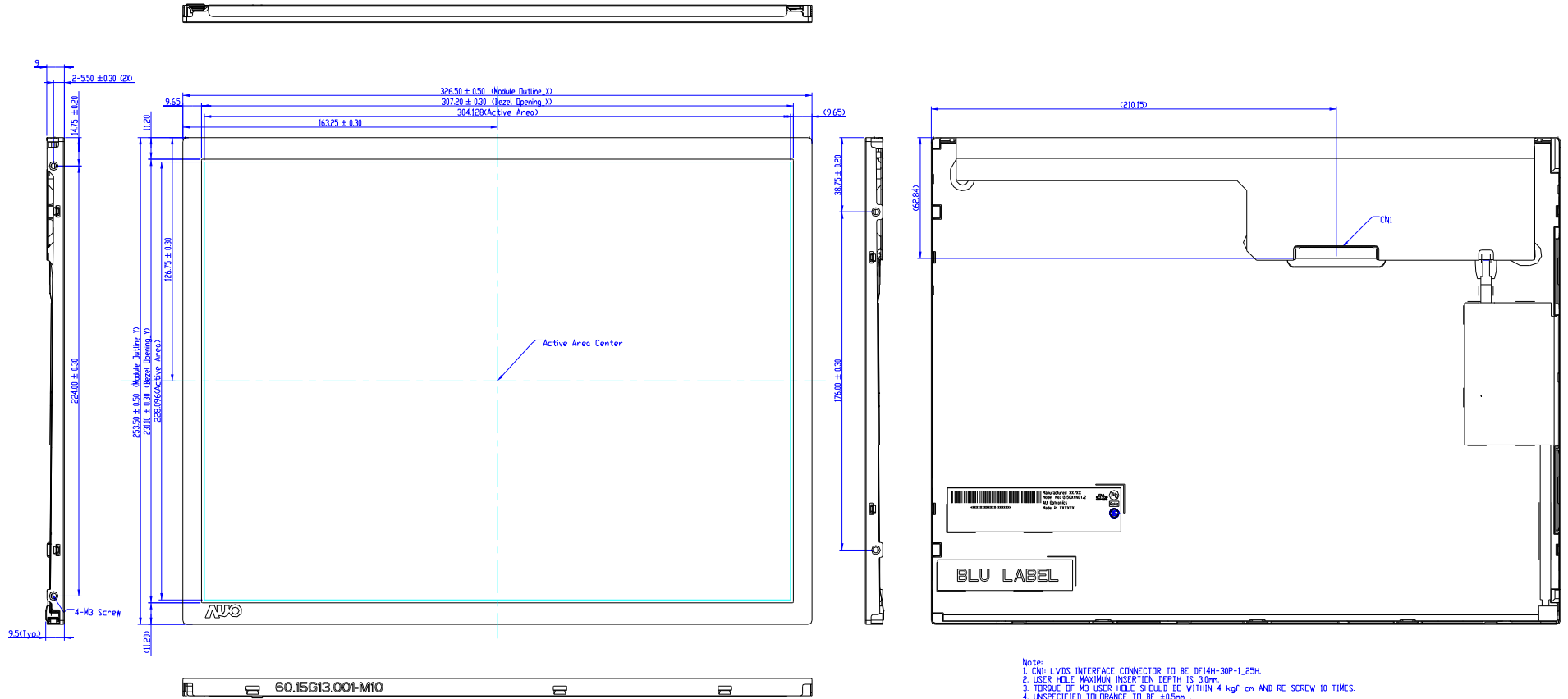
Note2:

- Water condensation is not allowed for each test items.
- Each test is done by new TFT-LCD module. Don't use the same TFT-LCD module repeatedly for reliability test.
- The reliability test is performed only to examine the TFT-LCD module capability.
- To inspect TFT-LCD module after reliability test, please store it at room temperature and room humidity for 24 hours at least in advance.
- No function failure occurs



8. Mechanical Characteristics

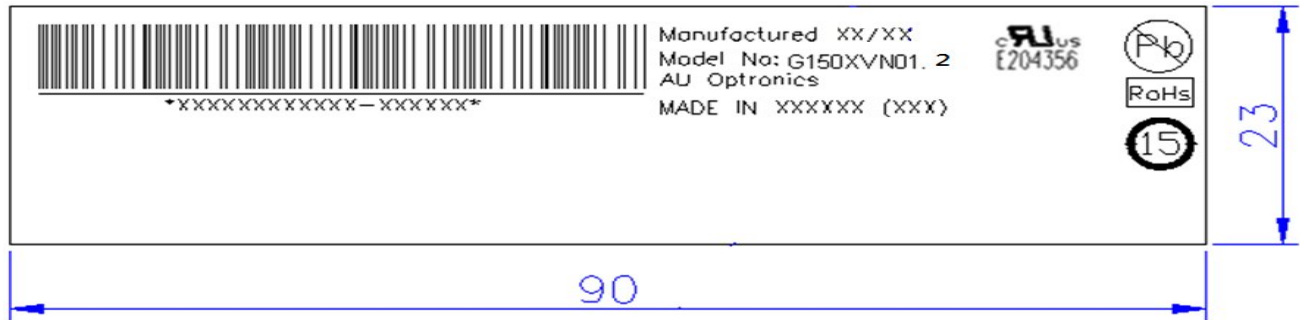
8.1 LCM Outline Dimension



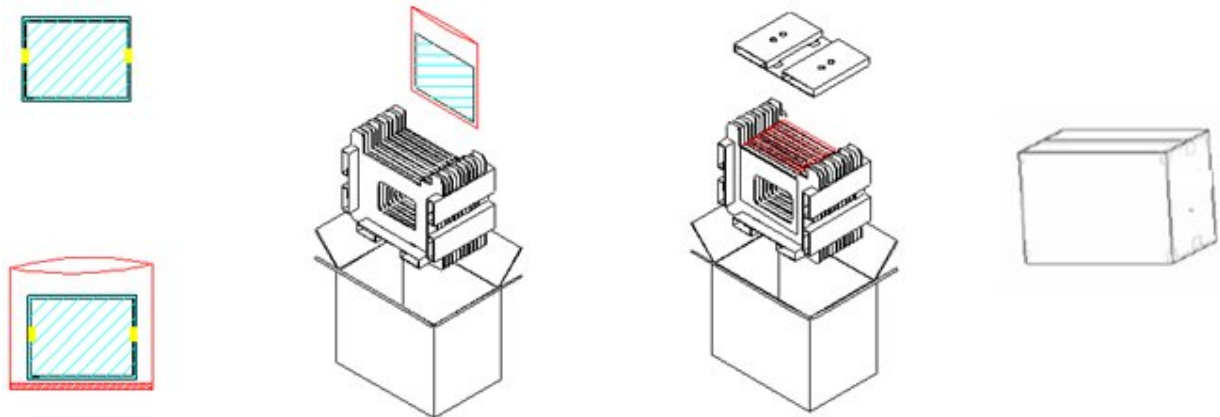
60.15G13.001-M10

9. Label and Packaging

9.1 Shipping Label (on the rear side of TFT-LCD display)



9.2 Carton Package



Max capacity : 10 TFT-LCD module per carton

Max weight: 12.5 kg per carton

Outside dimension of carton: 410mm(L)* 278mm(W)*360mm(H)

Pallet size : 1140 mm * 830 mm * 135mm



10 Safety

10.1 Sharp Edge Requirements

There will be no sharp edges or comers on the display assembly that could cause injury.

10.2 Materials

10.2.1 Toxicity

There will be no carcinogenic materials used anywhere in the display module. If toxic materials are used, they will be reviewed and approved by the responsible AUO toxicologist.

10.2.2 Flammability

All components including electrical components that do not meet the flammability grade UL94-V1 in the module will complete the flammability rating exception approval process.

The printed circuit board will be made from material rated 94-V1 or better. The actual UL flammability rating will be printed on the printed circuit board.

10.3 Capacitors

If any polarized capacitors are used in the display assembly, provisions will be made to keep them from being inserted backwards.

10.4 National Test Lab Requirement

The display module will satisfy all requirements for compliance to:

UL 60950-1 second edition

U.S.A. Information Technology Equipment