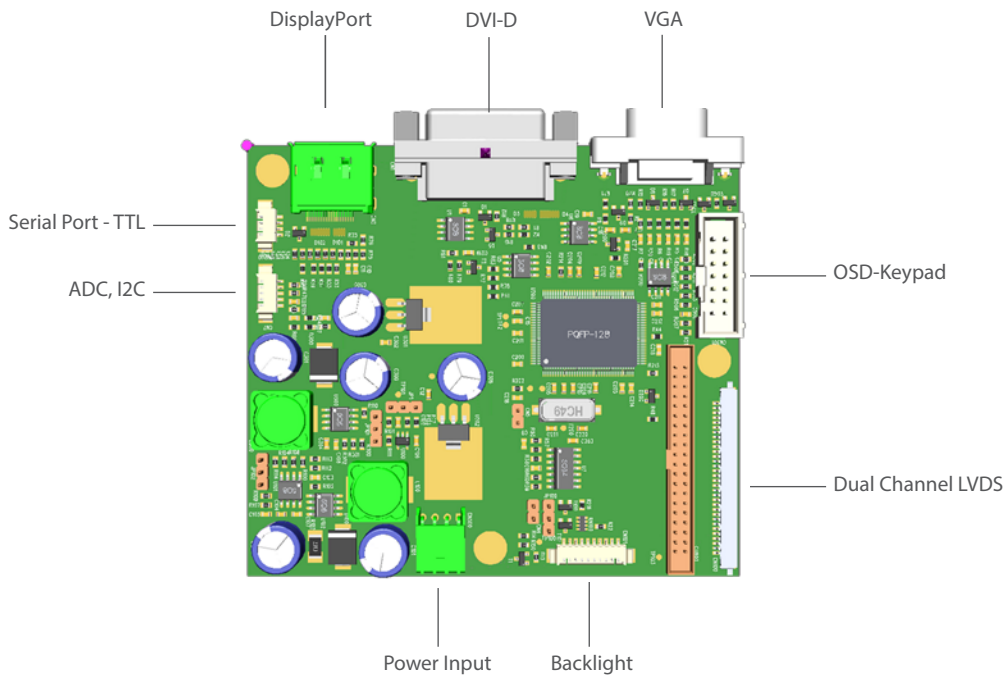


Full-HD-Flatpanel-Controller

CRTtoLCD-62

- DVI-D, VGA (Analog-RGB) and DisplayPort (DP) inputs up to WUXGA
- Display resolution up to WUXGA (1920x1200)
- Highest picture quality due to improved scaling algorithms
- Powerful software tools including Panel-Editor, **Serial-OSD** and Serial-API
- Scripting **language** support
- Enhanced input protection for harsh environments

Full-HD-Flatpanel-Controller CRTtoLCD-62



Description

The CRTtoLCD-62 is a highly integrated Full-HD-Flatpanel-Controller that allows connection of standard Analog RGB (**VGA**), **DVI-D** and DisplayPort sources to TFT-LCD flatpanels.

It includes all the necessary functionality to design a full featured LCD monitor.

From a single +12V DC power supply, the CRTtoLCD-62 generates all required supply voltages and power sequencing. LED or CCFL backlight dimming is supported and can be controlled by PWM or absolute voltage level.

Typical Verticals

Point of Sales (POS):	Check-in terminals
Point of Information (POI):	Public displays
Industrial Automation & Medical:	Panel-PCs, Industrial monitors
Test & Measurement:	Smart displays
Transportation:	Rugged displays
Gaming Machines:	Casino slot machines, Lottery systems, Open frame monitors

Full-HD-Flatpanel-Controller CRTtoLCD-62

Technical Information

DVI-D Input	<ul style="list-style-type: none"> Highest quality up to WUXGA@60 Hz (with full zoom & shrink capabilities)
VGA (Analog Input)	<ul style="list-style-type: none"> Analog-RGB-Interface (VGA) up to WUXGA@60 Hz, All color depths up to 24 bits/pixel
DisplayPort Input	<ul style="list-style-type: none"> Integrated DisplayPort 1.1 compliant receiver up to WUXGA
High Quality Advanced Scaling	<ul style="list-style-type: none"> Horizontal & Vertical Zoom
Specials	<ul style="list-style-type: none"> Two separate onboard power supplies for flatpanel (up to 3A) and backlight (up to 3.5A) power Onboard Temperature Sensor and Elapsed Hour Meter for predictive maintenance options PWM or voltage controlled backlight dimming Scripting support DDC2Bi / VCP (also accessible via script) Serial-API for full access to various functions and features Serial-OSD for keypad-less OSD control
Integrated On-Screen-Display	<ul style="list-style-type: none"> On Screen Display (OSD) for control of all configured features
Display-Interface	<ul style="list-style-type: none"> JILI30 (up to 2x24Bit dual channel LVDS) Output up to WUXGA@60Hz (1920x1200)
Form Factor	<ul style="list-style-type: none"> 118.60 mm x 95.0 mm x 16.5 mm (L/W/H)
Optional	<ul style="list-style-type: none"> Inverter and display cable-kits for various flatpanels

Ordering Information

Article	Part.-No.	Description
CRTtoLCD-62	21122E-00-01-01	Full-HD-Flatpanel-Controller with VGA(Analog-RGB), DVI-D and DisplayPort inputs, Dual channel LVDS output
KAB-COMtoTTL	61021E	Serial-RS232 to TTL converter cable for CRTtoLCD-51-pro/-61-pro/-62/-71-LP/-61-LP
OSD-Panel-Set	22010	5-button On-Screen-Display(OSD)-Keypad incl. cable