

Data Sheet

12W AC-DC Adapter Power Supply



- Universal AC Input 90 – 264 VAC
- Interchangeable AC-Plugs
- Low ripple noise
- No minimum load requirement
- 100% burn in test
- Safety: UL, cUL, CE, FCC
- CEC & DOE Efficiency Level VI compliant
- ErP Tier2 compliant
- RoHS compliant



Model Selection Guide:

Typ	Input nominal voltage [VAC]	Input current full-load [mA]	Output voltage [VDC]	Output current Max. [mA]
PSW10E050K0	90 – 264	600	5.0	2000
PSW12E060K0	90 – 264	600	5.95	2000
PSW12E120K0	90 – 264	600	12.0	1000
PSW12E240K0	90 – 264	600	24.0	500
PSW12E480K0	90 – 264	600	48.0	250

Specifications:

Input	
Rated Input Voltage	AC 90V – 264V Universal full range
Frequency Rated	50 – 60Hz (47 – 63Hz)
Input Rated Current	Max. 600mA RMS max
Inrush Current @ Cool start	No damage. On power when switching on/off repeatedly under any condition
Leakage Current	0.25mA
Average Efficiency	Min. 82.9% (CEC & DOE Level VI compliant) Min. 83.2% (ErP Tier 2 compliant)
Input Power (no load)	<0.1W (CEC & DOE Level VI compliant) <0.075W (ErP Tier 2 compliant)

Output	
Output Voltage	See model selection guide
Output Current max.	See model selection guide
Line Regulation	±1%
Output Voltage Tolerance	±5%
Over Voltage Protection	Yes (Output shut down and auto restart)
Short Circuit Protection	Yes (Output shut down and auto restart)
Ripple Voltage (Full load)	200mV (p-p) at 100-240VAC and full load

Note: Ripples shall be measured with a 47µF electrolytic capacitor parallel with a high-frequency 0.1µF ceramic capacitor across the output. The oscilloscope's bandwidth shall be set to 20MHz.

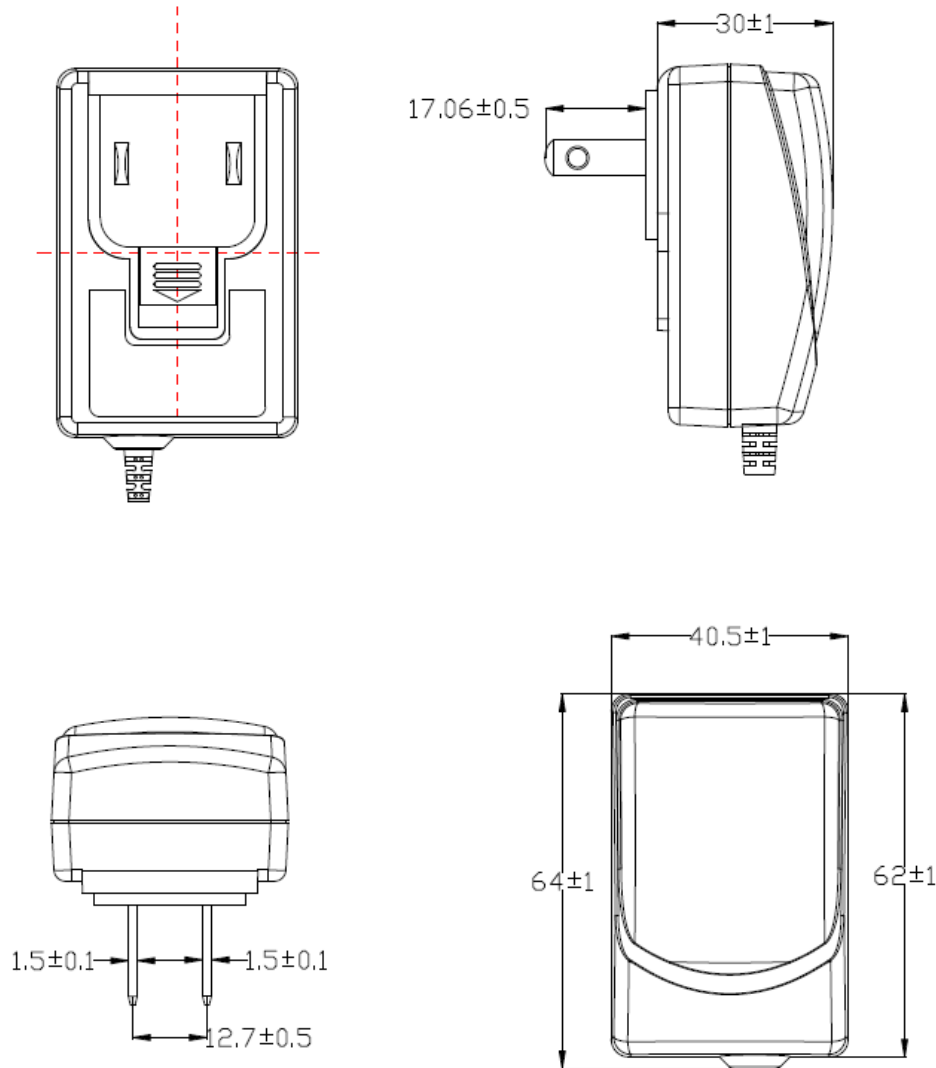
Others	
Insulation Resistance (input to output)	500VDC to test the input to output not be less 100MΩ
Hi-pot Specification (input to output)	3000VAC or 4242VDC (10mA, 1minute)
Cooling	Natural Cooling
RoHS compliant	Yes

Environment	
Temperature	Operating : 0°C to +40°C Storage : -10°C to +70°C
Humidity	Operating : 20% to 80% Storage : 10% to 90%
Packaging	white folding box

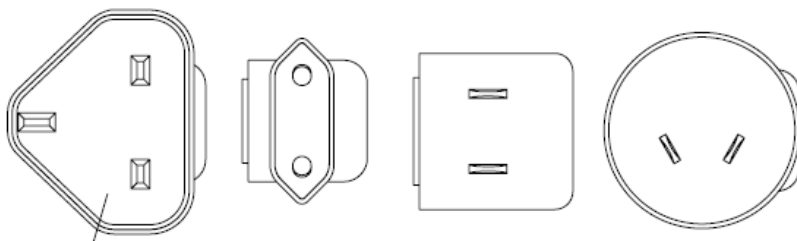
Safety & EMC			
Type (Marking)	Country	Standard	
UL/cUL	USA/Canada	Safety	UL60950-1
		Safety	CSA C22.2 No.60950-1-07
FCC	USA	EMI	FCC Part 15, SubpartB, Class B
CE	Europe	Safety	IEC/EN60950-1
		In accordance with the council directive 2004/108/EC Adapter Standard: EN61204-3	
		EMI	EN55022
		EMS	EN55024
		ErP	278/2009
		RoHS	compliant

Cable/Connectors	
AC Plug	Interchangeable 4 AC-Plugs (EUR, US, UK, AUS)
DC Plug	DC power plug: OD 5,5mm / ID 2,1mm / L 12mm
DC Cable	2 wire AWG20 (see drawing)

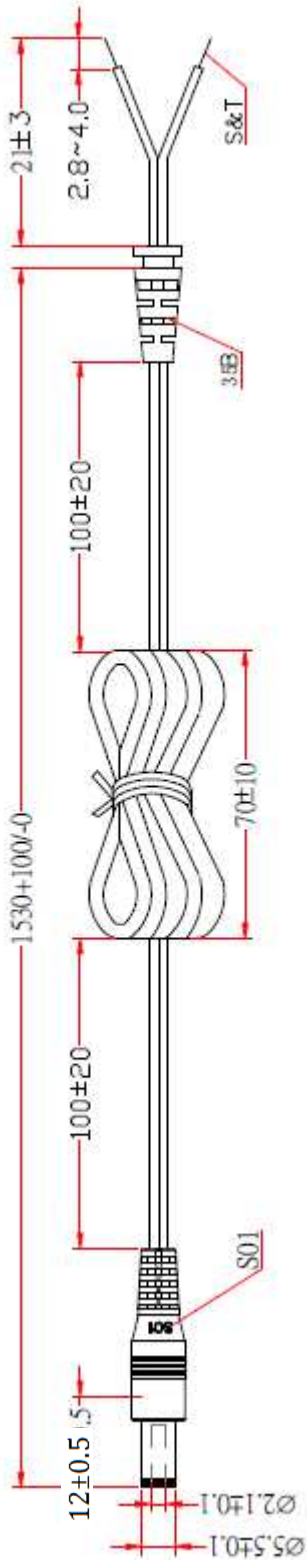
Dimensions:



AC-Plugs (included separately in the package):



DC cable/connector:

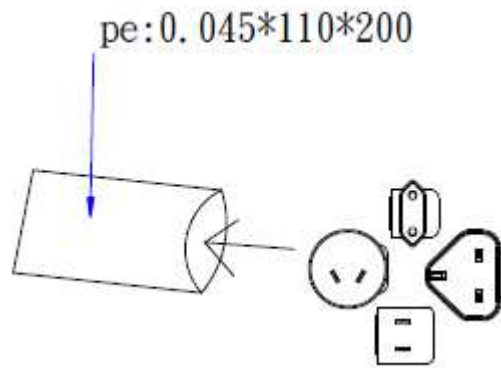
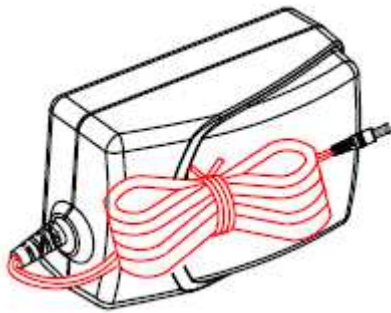


#20AWG X2C UL2468 HAVE ON WORD WIRE IN OUTER, NO WORD WIRE IN INNER

OD: Ø1.9±0.1



Others/Drawings:



Accessories:

-