



## 60W AC-DC Desktop Power Supply PSD60ExxxK3

- Universal AC Input 90 – 264 VAC
- Low Voltage Power Supply
- No minimum load requirement
- 100 % burn in test
- Standard: CE, UL, cUL, FCC
- CEC & DOE Efficiency Level VI, ErP Tier2 and RoHS compliant

**60W AC-DC Desktop Power Supply PSD60ExxxK3**

# Model Selection Guide

Item	Input nominal Voltage [VAC]	Input current Full-load [mA]	Output voltage [VDC]	Output current Max. [mA]
<b>PSD60E120K3</b>	90 - 264	1500	12	5000
<b>PSD60E150K3</b>	90 - 264	1500	15	4000
<b>PSD60E190K3</b>	90 - 264	1500	19	3240
<b>PSD60E240K3</b>	90 - 264	1500	24	2700

## 60W AC-DC Desktop Power Supply PSD60ExxxK3

# Specifications

### Input

1	Input Voltage	AC 90V – 264V Universal full range
2	Frequency Rated	50 – 60 Hz (47 – 63Hz)
3	Input Rated Current	Max. 1.5 A RMS
4	Inrush Current @ Cool start	No damage. On power when switching on/off repeatedly under any condition
5	Leakage Current	< 3.5mA
6	Average Efficiency	Min. 88% (CEC & DOE Level VI compliant) Min. 88% (ErP Compliant) Min. 89% (EC COC Tier 2 compliant)
7	Input Power (no load)	<0.21W (CEC & DOE Level VI compliant) <0.21W (ErP Compliant) <0.15W (EC COC Tier 2 compliant)

### Output

8	Output Voltage	See model selection guide
9	Output Current max.	See model selection guide
10	Line Regulation	± 1%
11	Output Voltage Tolerance	± 5%
12	Over Voltage Protection	≤ 16V
13	Over Load Protection	≤ 5A output load
14	Short Circuit Protection	Yes (Output shut down and auto restart)
15	Ripple Voltage (Full load)	Max. 200mV (p-p) at 100-240V AC Input *1)

*(1). Measuring is done by 20MHz bandwidth oscilloscope and terminated each output with a 10uf aluminum electrolytic capacitor and 0.1uf ceramic capacitor.*

### Others

16	Hi-pot Specification (input to output)	I/P-O/P : 3000Vac OR 4242VDC, 10mA 60Sec. (between primary side and secondary side.)
17	Insulation Resistance (input to output)	500VDC to test the input to output not to be less 100MΩ
18	Cooling	Natural Cooling
19	RoHS compliant	Yes

### Environment

20	Temperature	Operating : 0°C to +40°C Storage : -10°C to +70°C
21	Humidity	Operating : 20% to 80% Storage : 10% to 90%
22	Packaging	white folding box

## 60W AC-DC Desktop Power Supply PSD60ExxxK3

# Specifications

### ■ Cable & Connectors

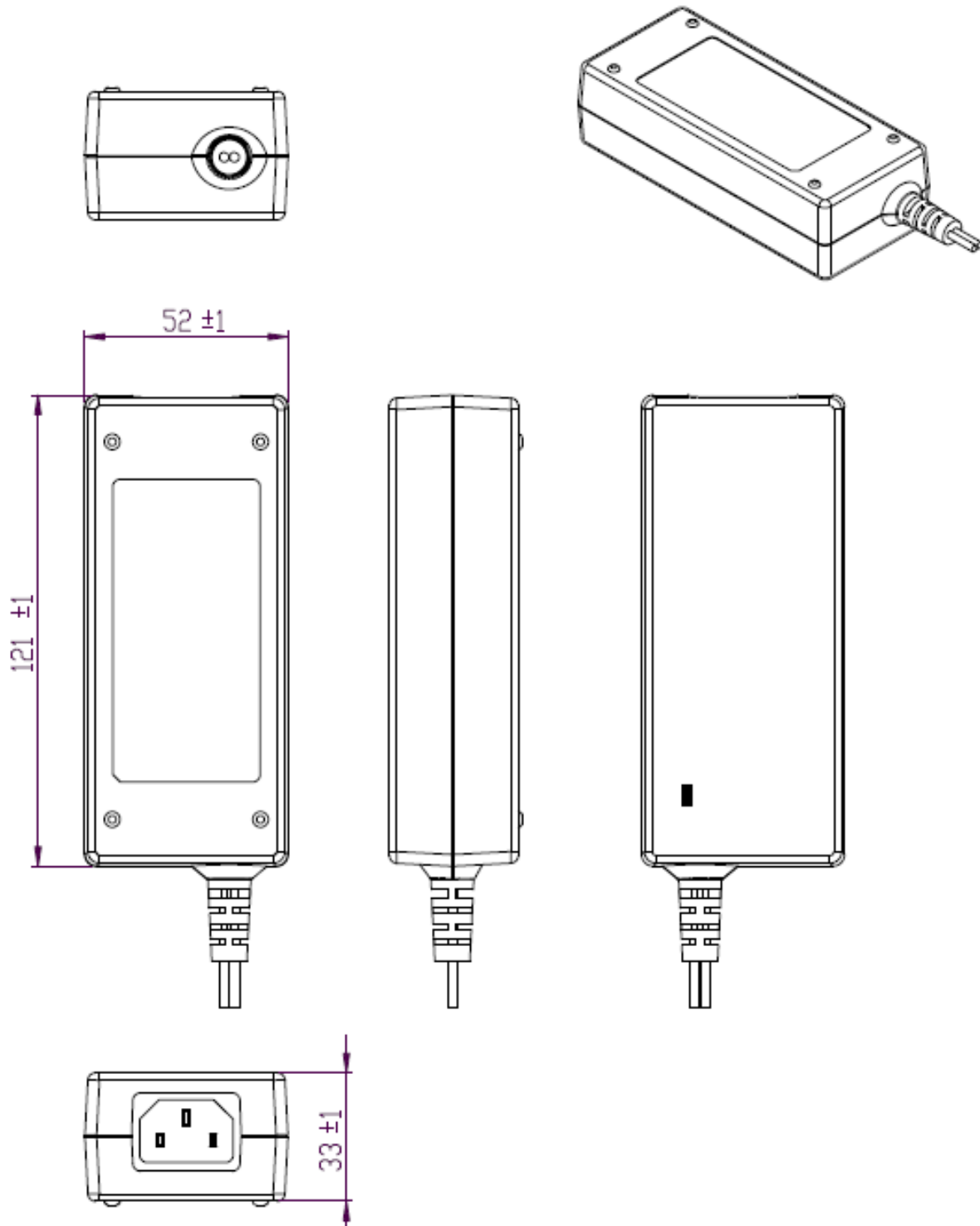
23	AC Plug	Inlet IEC-60320 / Type C14 (3-Pin)
24	DC Plug	DC power plug: OD 5,5mm / ID 2,1mm / L 12mm
25	DC Cable	2 wire AWG16 (see drawing)

### ■ Safety & EMC

26	Europe	EMC	EN61204-3:2000, Class B EN55032:2012+AC:2016, Class B EN55024:2010+A1:2015
		LVD Safety ErP	2014/35/EU, EN 62368-1:2014/A11:2017 EN 62368-1:2014 / A11:2017 2019/1782
		Safety	UL62368-1 CSA C22.2 No. 62368-1 FCC Part 15 Subpart B Class B
27	North America		

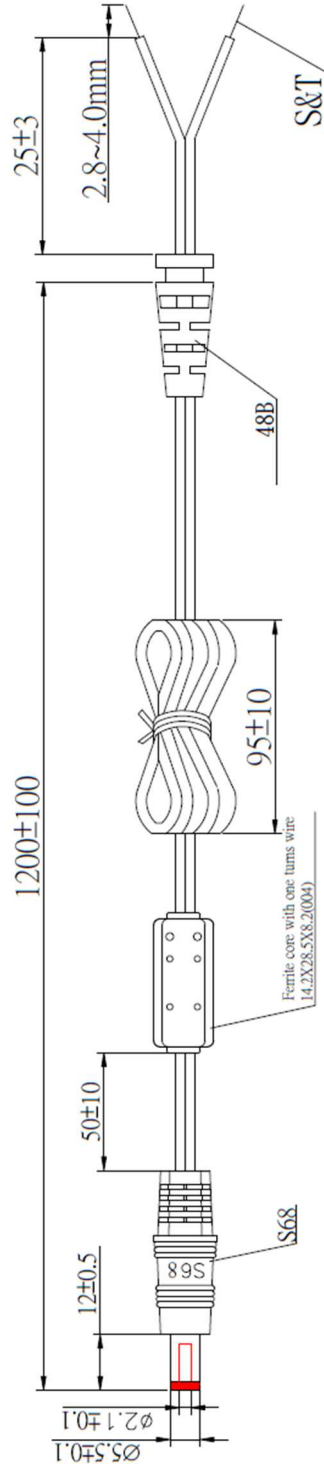
## 60W AC-DC Desktop Power Supply PSD60ExxxK3

# Dimensions



60W AC-DC Desktop Power Supply PSD60ExxxK3

DC cable / connector

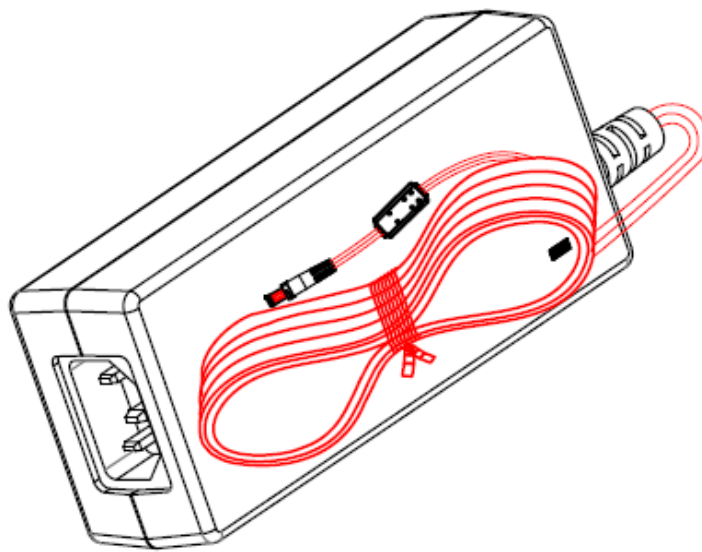


#16AWG X2C UL2468 HAVE ON WORD WIRE IN OUTER,NO WORD WIRE IN INNER

WIRE OD:  $\phi$  2.6X5.2

60W AC-DC Desktop Power Supply PSD60ExxxK3

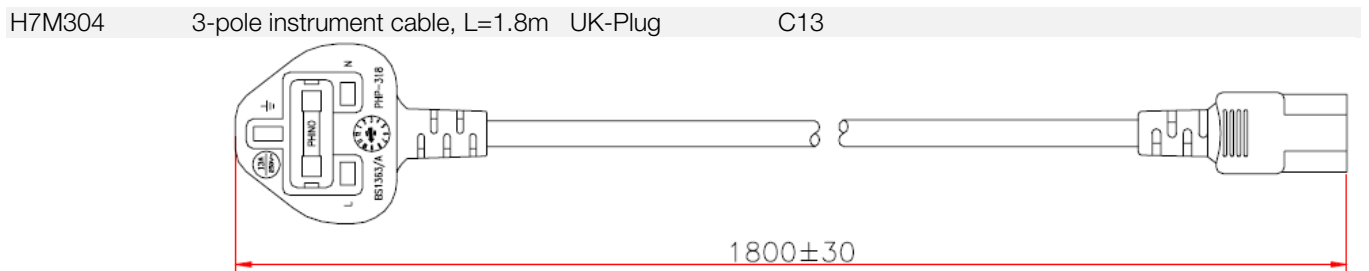
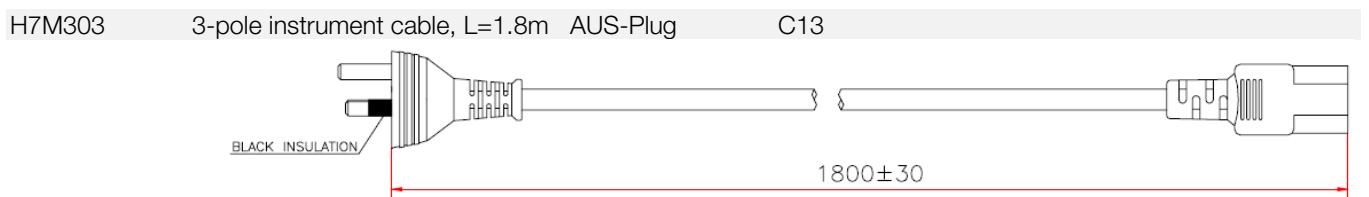
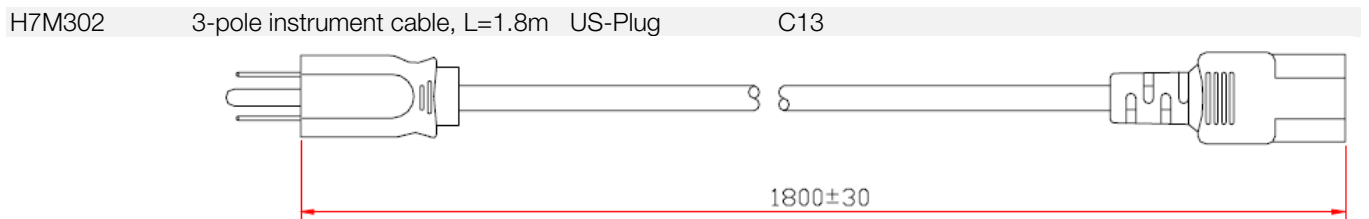
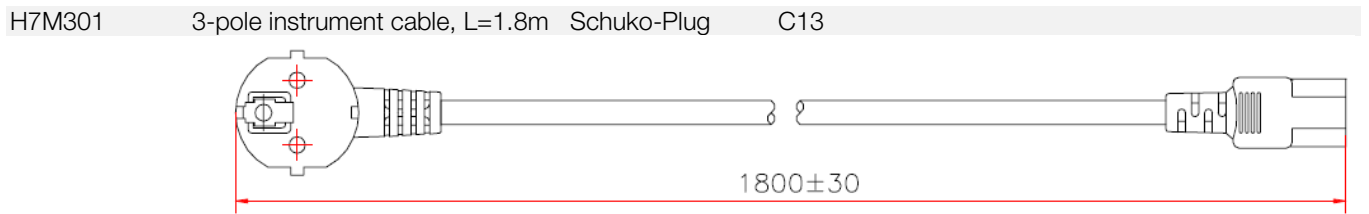
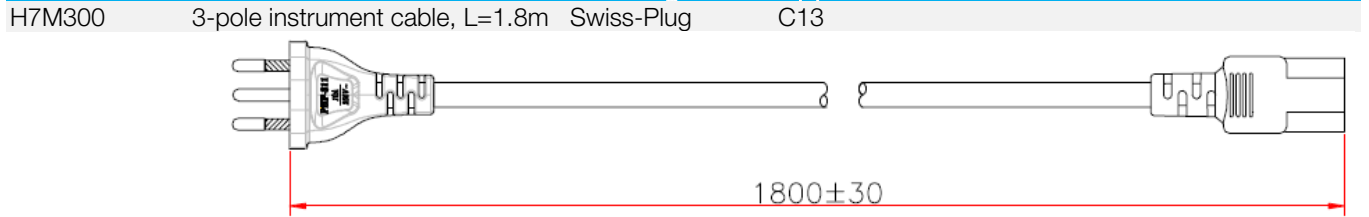
Others / Drawings



## 60W AC-DC Desktop Power Supply PSD60ExxxK3

# Accessories

AC-cables	Cable	AC-Plug	Appliance Outlet
-----------	-------	---------	------------------



AC-cables need to be ordered separately.



## 60W AC-DC Desktop Power Supply PSD60ExxxK3

# Contact

### HY-LINE AG

Hochstrasse 355  
CH-8200 Schaffhausen

Support:

+41 (0) 52 / 647 42 00

+41 (0) 52 / 647 42 01

eMAIL:

[info@hy-line.ch](mailto:info@hy-line.ch)



### HY-LINE AG

HY-LINE AG gehört zur HY-LINE Gruppe, einer Gruppe von spezialisierten Distributoren.

HY-LINE AG ist Spezialist für Batterien und Systeme. Im Fokus stehen neben Standardbatterien und Lade- und Wartungssysteme die Entwicklung und Konzeption von kundenspezifischen Batterien und Systemen.

HY-LINE® ist eine eingetragene Marke der HY-LINE Gruppe  
PSD60ExxxK3\_DAB\_2012\_Rev03 | Dezember 2020  
Änderungen vorbehalten | Alle Angaben ohne Gewähr  
© 2020, HY-LINE Gruppe