

Data Sheet

60W AC-DC Desktop Power Supply

- Universal AC Input 90 – 264 VAC
- Low ripple noise
- No minimum load requirement
- 100 % burn in test
- Standard: UL, cUL, CE, FCC
- CEC & DOE Efficiency Level VI compliant
- ErP Tier2 compliant
- RoHS compliant



Model Selection Guide:

Typ	Input nominal voltage [VAC]	Input current full-load [mA]	Output voltage [VDC]	Output current Max. [mA]
PSD60E120K2	90 – 264	1500	12	5000
PSD60E150K2	90 – 264	1500	15	4000
PSD60E190K2	90 – 264	1500	19	3240
PSD60E240K2	90 – 264	1500	24	2700

Specifications:

Input	
Input Voltage	AC 90V – 264V Universal full range
Frequency Rated	50 – 60 Hz (47 – 63Hz)
Input Rated Current	Max. 1500 mA RMS
Inrush Current @ Cool start	No damage. On power when switching on/off repeatedly under any condition
Leakage Current	< 0.25mA
Average Efficiency	Min. 88% (CEC & DOE Level VI compliant) Min. 89% (ErP Tier 2 compliant)
Input Power (no load)	<0.21W (CEC & DOE Level VI compliant) <0.15W (ErP Tier 2 compliant)

Output	
Output Voltage	See model selection guide
Output Current max.	See model selection guide
Line Regulation	±1%
Output Voltage Tolerance	±5%
Over Voltage Protection	Yes (Protected through primary circuit IC)
Short Circuit Protection	Yes (Output shut down and auto restart)
Ripple Voltage (Full load)	Max. 240mV (p-p) at 100-240V AC Input *1)

*1) Measuring is done by 20MHz bandwidth oscilloscope and terminated each output with a 10uF aluminium electrolytic capacitor and 0.1uF ceramic capacitor.

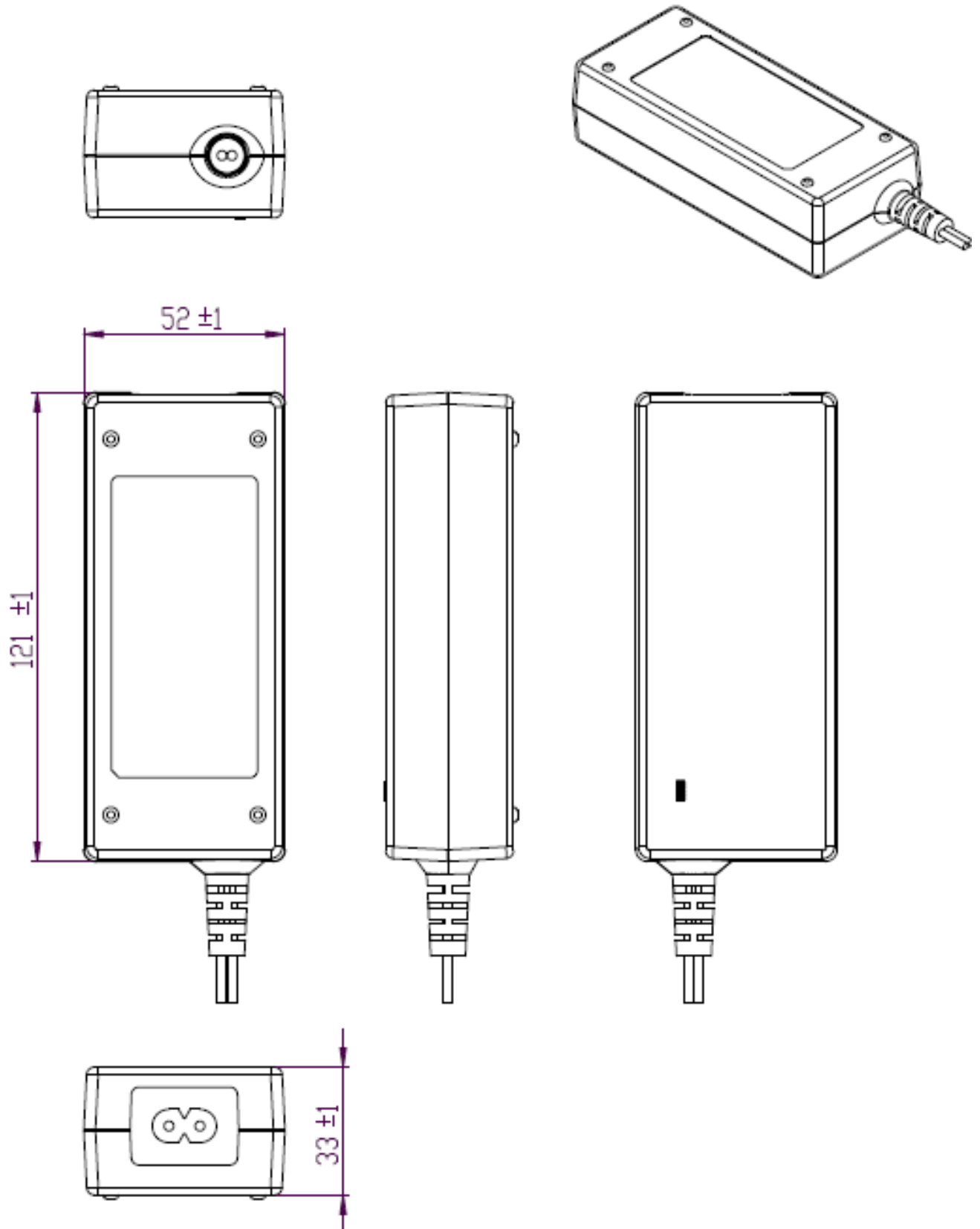
Others	
Insulation Resistance (input to output)	500VDC to test the input to output not to be less 100MΩ
Hi-pot Specification (input to output)	3000VAC (10mA 1 minute)
Cooling	Natural Cooling
RoHS compliant	Yes

Environment	
Temperature	Operating : 0°C to +40°C Storage : -10°C to +70°C
Humidity	Operating : 20% to 80% Storage : 10% to 90%
Packaging	white folding box

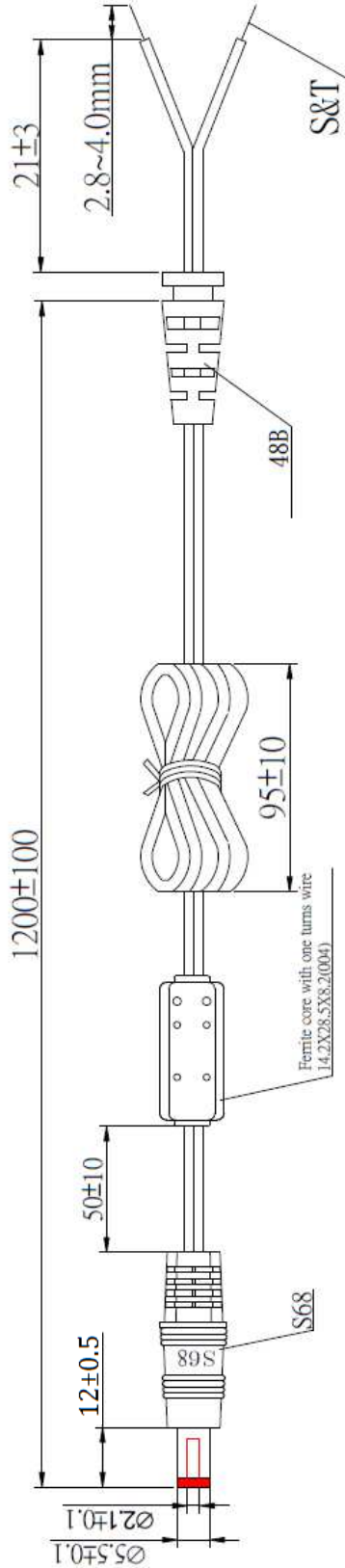
Safety & EMC			
Type (Marking)	Country	Standard	
UL/cUL	USA/Canada	Safety	UL60950-1
		Safety	CSA C22.2 No.60950-1-07
FCC	USA	EMI	FCC Part 15, SubpartB, Class B
CE	Europe	Safety	IEC/EN60950-1
		In accordance with the council directive 2004/108/EC Adapter Standard: EN61204-3	
		EMI	EN55022
		EMS	EN55024
		ErP	278/2009
		RoHS	compliant
RCM	AUS/NZ	SAA 60950.1 / C-TICK CISPR22	

Cable/Connectors	
AC Plug	Inlet IEC320 / Type C8 (2-Pin)
DC Plug	DC power plug: OD 5,5mm / ID 2,1mm / L 12mm
DC Cable	2 wire AWG16 (see drawing)

Dimensions:



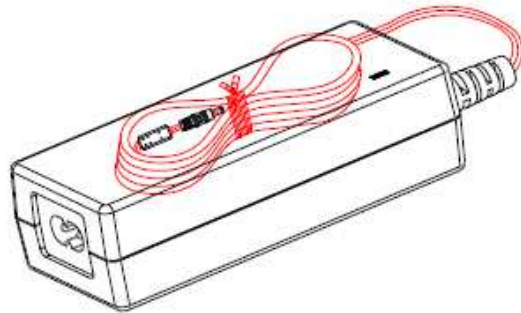
DC cable/connector:



#16AWG X2C UL2468 HAVE ON WORD WIRE IN OUTER,NO WORD WIRE IN INNER(有字接外，無字接內)

WIRE OD: Ø2.6X5.2

Others/Drawings:



Accessories:

AC-cables	Cable	AC-Plug	Appliance Outlet
H7M305	2-pole instrument cable, L=1.8m	Euro-Plug	C7
H7M306	2-pole instrument cable, L=1.8m	US-Plug	C7
H7M307	2-pole instrument cable, L=1.8m	AUS-Plug	C7
H7M308	2-pole instrument cable, L=1.8m	UK-Plug	C7